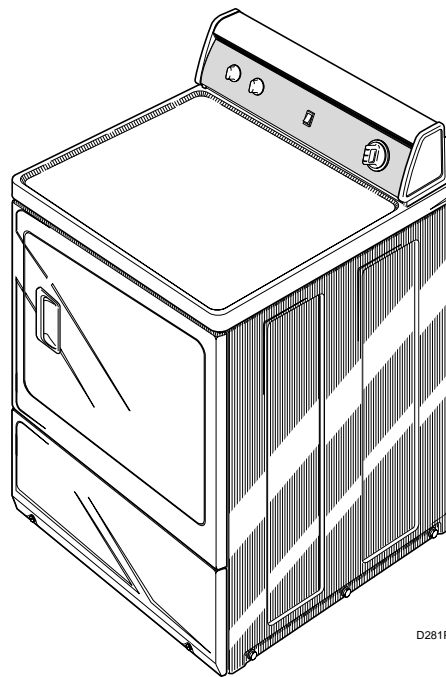


# Dryers

Nonmetered

See Page 3 for Model Numbers



D281P

Parts



# Table of Contents

Title	Page
Parts Ordering Information .....	2
Nameplate Location .....	2
Model Identification .....	3
Graphic Panel, Control Hood and Controls .....	4
Cabinet Top and Control Hood Rear Panel .....	6
Loading Door .....	8
Loading Door (Commercial).....	10
Access Panel, Front Panel and Seal .....	12
Motor, Exhaust Fan and Belt .....	14
Front Bulkhead, Air Duct, Cylinder and Removable Lint Filter .....	16
Front Bulkhead, Air Duct, Cylinder, and Secured Lint Filter .....	18
Rear Bulkhead, Felt Seal, Cylinder Roller and Terminal Block .....	20
Heater Duct and Element Assembly .....	22
Heater Duct Assembly .....	24
Heater Duct Assembly Replacement .....	26
Gas Valve, Igniter and Gas Conversion Kits .....	28
Cabinet, Exhaust Duct and Base .....	30
Terminals and Clips .....	32
Terminals .....	34
Motor Connection Block, Terminal Extractor Tools .....	36
Wire Harnesses .....	38
Parts Index.....	39

© Copyright 1998, Alliance Laundry Systems LLC

All rights reserved. No part of the contents of this book may be reproduced or transmitted in any form or by any means without the written permission of the publisher.

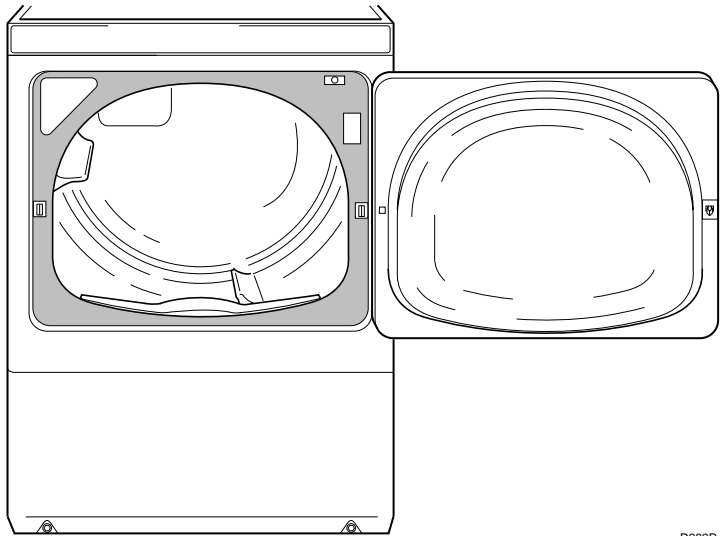
## Parts Ordering Information

If literature or replacement parts are required, contact the source from whom the machine was purchased or contact Alliance Laundry Systems at (920) 748-3950 for the name and address of the nearest authorized parts distributor.

For technical assistance, call (920) 748-3121.

## Nameplate Location

When calling or writing about your product, be sure to mention model and serial numbers. Model and serial numbers are located on nameplate(s) as shown.



D282P

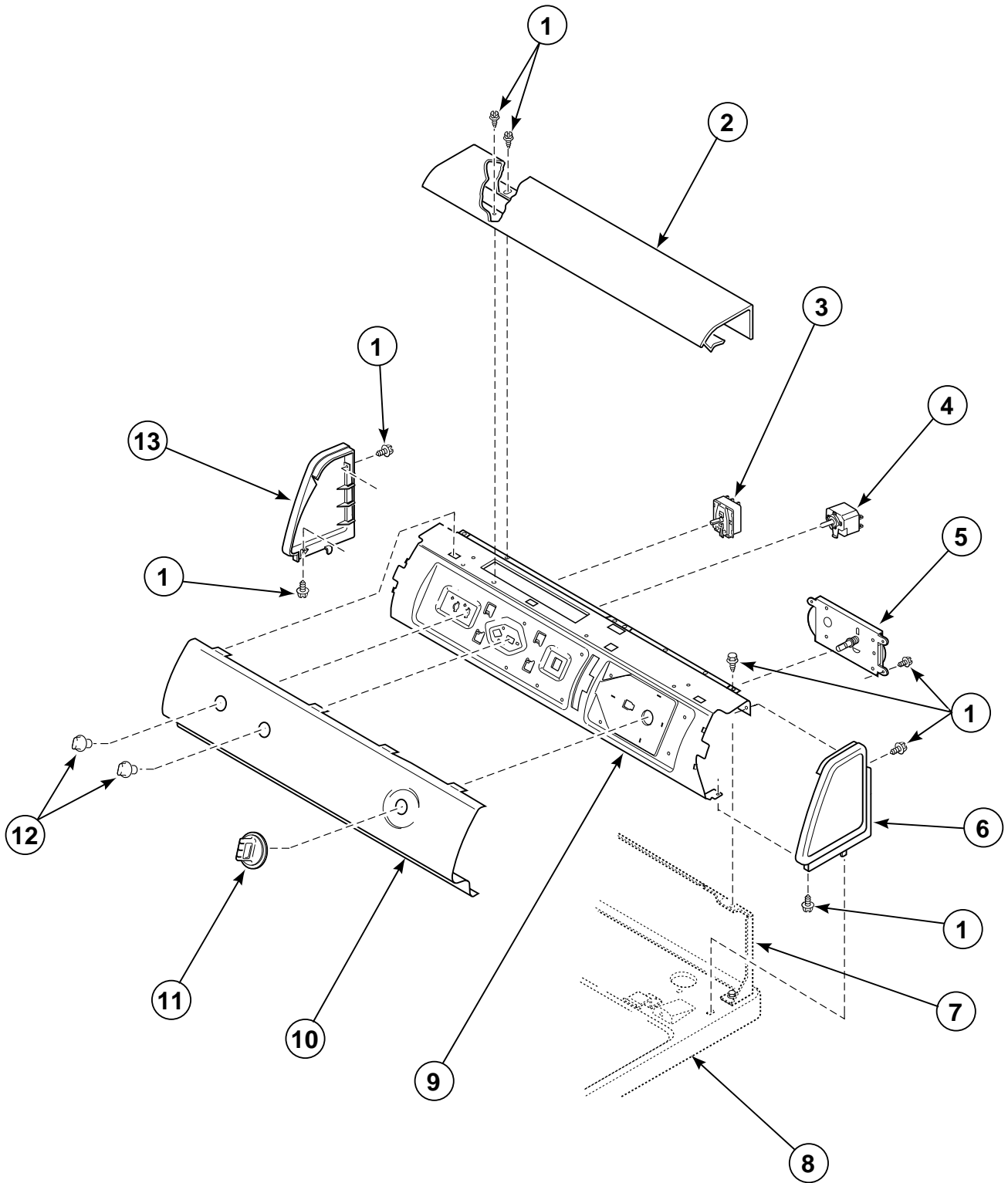
## Model Identification

Information in this manual is applicable to these dryers:

MODEL NUMBER	ELECTRIC HEAT	GAS HEAT
LES19A*	X	
LES33A*	X	
LES37A*	X	
LGS19A*		X
LGS19A*-1188		X
LGS33A*		X
LGS37A*		X

\* Add Letter To Designate Color. L - Almond W - White

# Graphic Panel, Control Hood and Controls



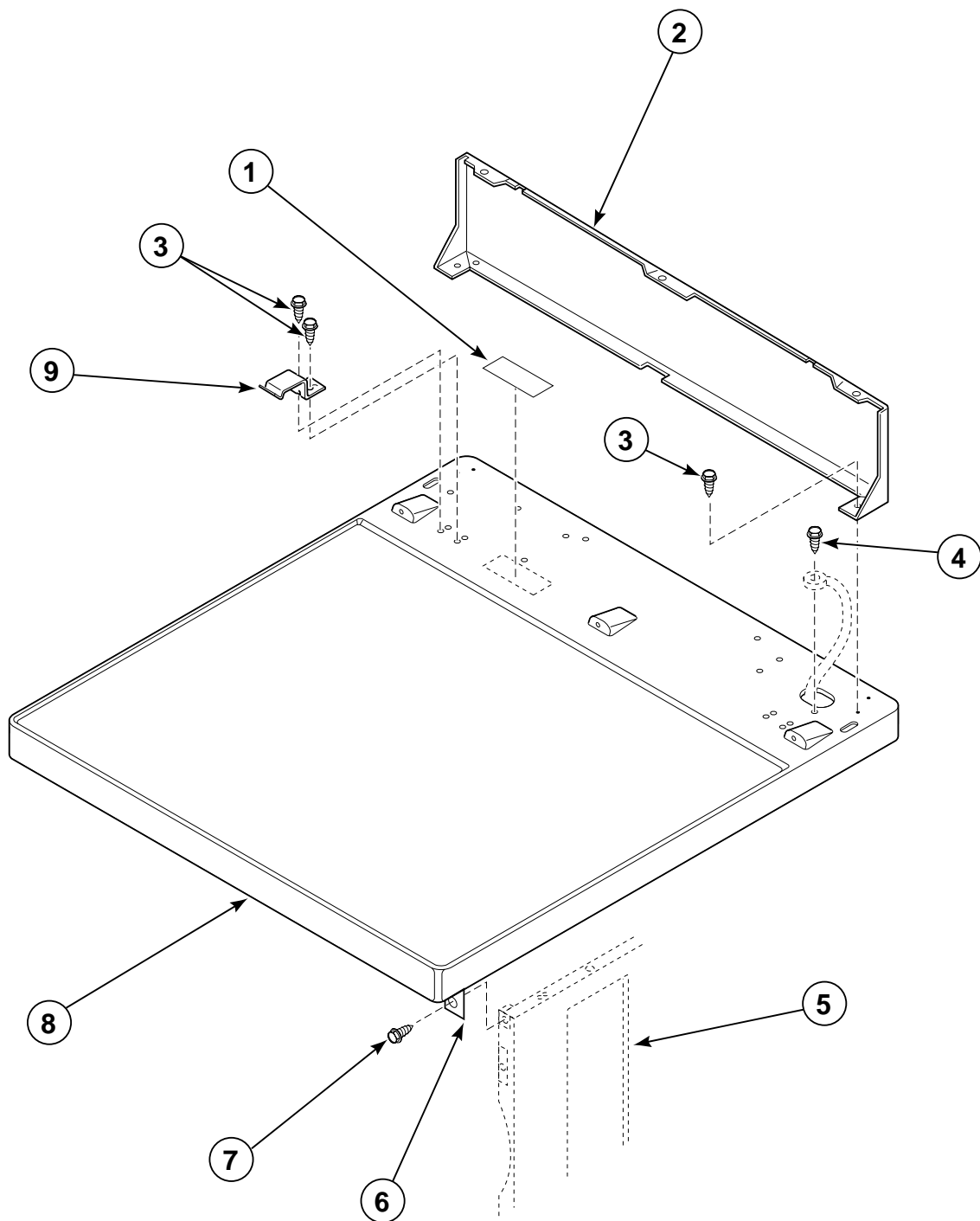
D378PZ3A

## Graphic Panel, Control Hood and Controls

REF	PART #	DESCRIPTION	COMMENTS
1	501086	Screw	
2	503674*	Top Cover	
3	503997	Fabric Selector Switch	
4	504102	Signal	Models LES33A*, LES37A*, LGS33A* and LGS37A*
5	505473	Timer	Models LES19A*, LES33A* and LES37A*
	504546	Timer	Models LGS19A*, LGS19A*-1188, LGS33A* and LGS37A*
6	504008*	End Cap Right	
7	500343	Control Hood Rear Panel	
8	500085*P	Cabinet Top	
9	503901	Support Control Panel	
10	504020*	Graphic Panel	Models LES33A*, LES37A*, LGS33A* and LGS37A*
	504197*	Graphic Panel	Models LES19A*, LGS19A* and LGS19A*-1188
11	504002	Timer Knob Assembly	
12	33688	Switch Knob Assembly	
13	504009*	End Cap Left	

\* Add Letter To Designate Color. L - Almond W - White

# Cabinet Top and Control Hood Rear Panel



D286PZ3B



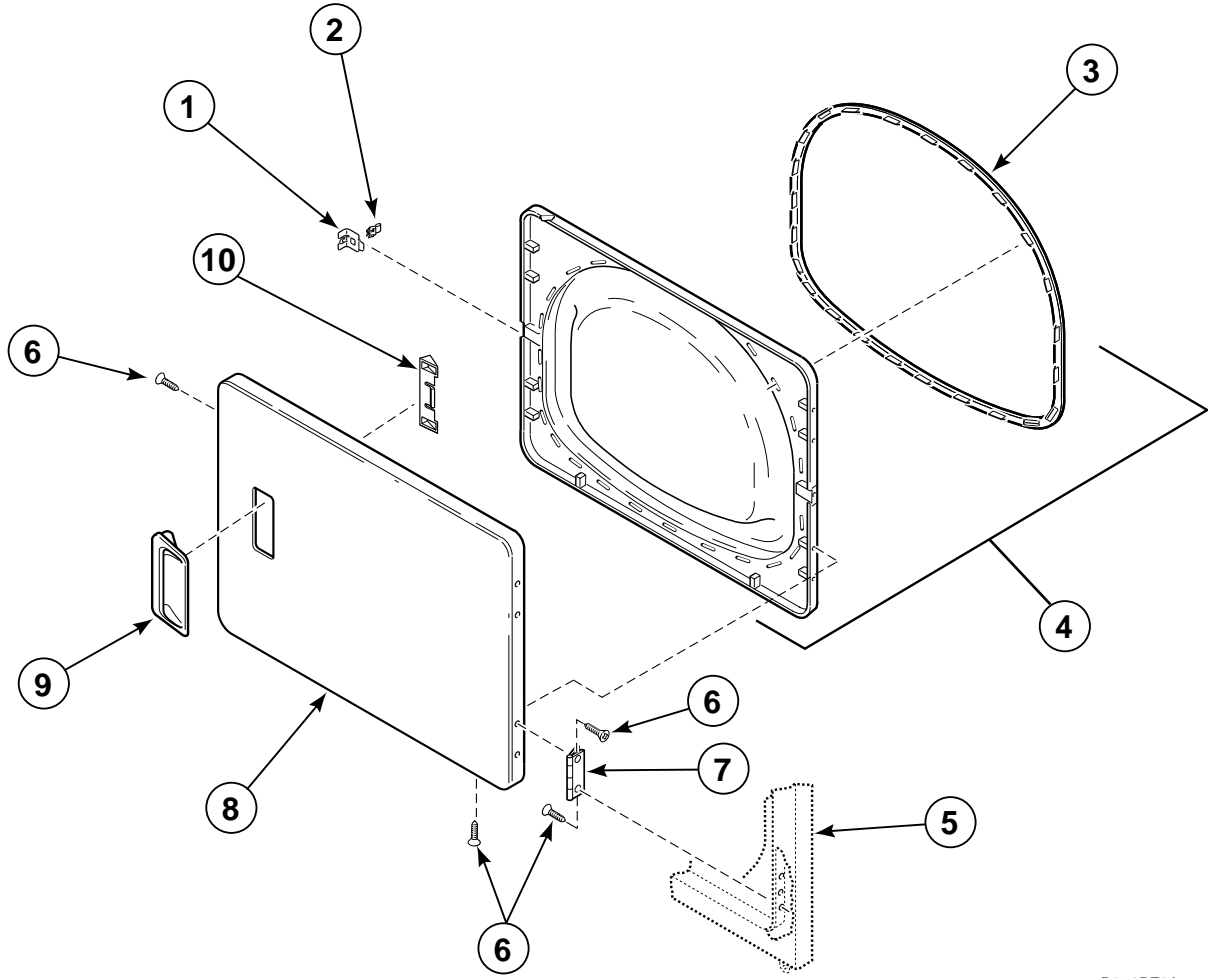
## Cabinet Top and Control Hood Rear Panel

REF	PART #	DESCRIPTION	COMMENTS
1	24903	Label	
2	500343	Control Hood Rear Panel	
3	501086	Screw	
4	503688	Screw	
5	500001*P	Cabinet	
6	500084	Hold-down Bracket	
7	503661	Screw	
8	500085*P	Cabinet Top	Includes two 500084 Hold-down Brackets
9	503876	Hold-down Clip	

\* Add Letter To Designate Color. L - Almond W - White

# Loading Door

Models LES19A\*, LES33A\*, LGS19A\*, LGS19A\*-1188 and LGS33A\*



D359PZ3A

\* Add Letter To Designate Color. L - Almond W - White

# Loading Door

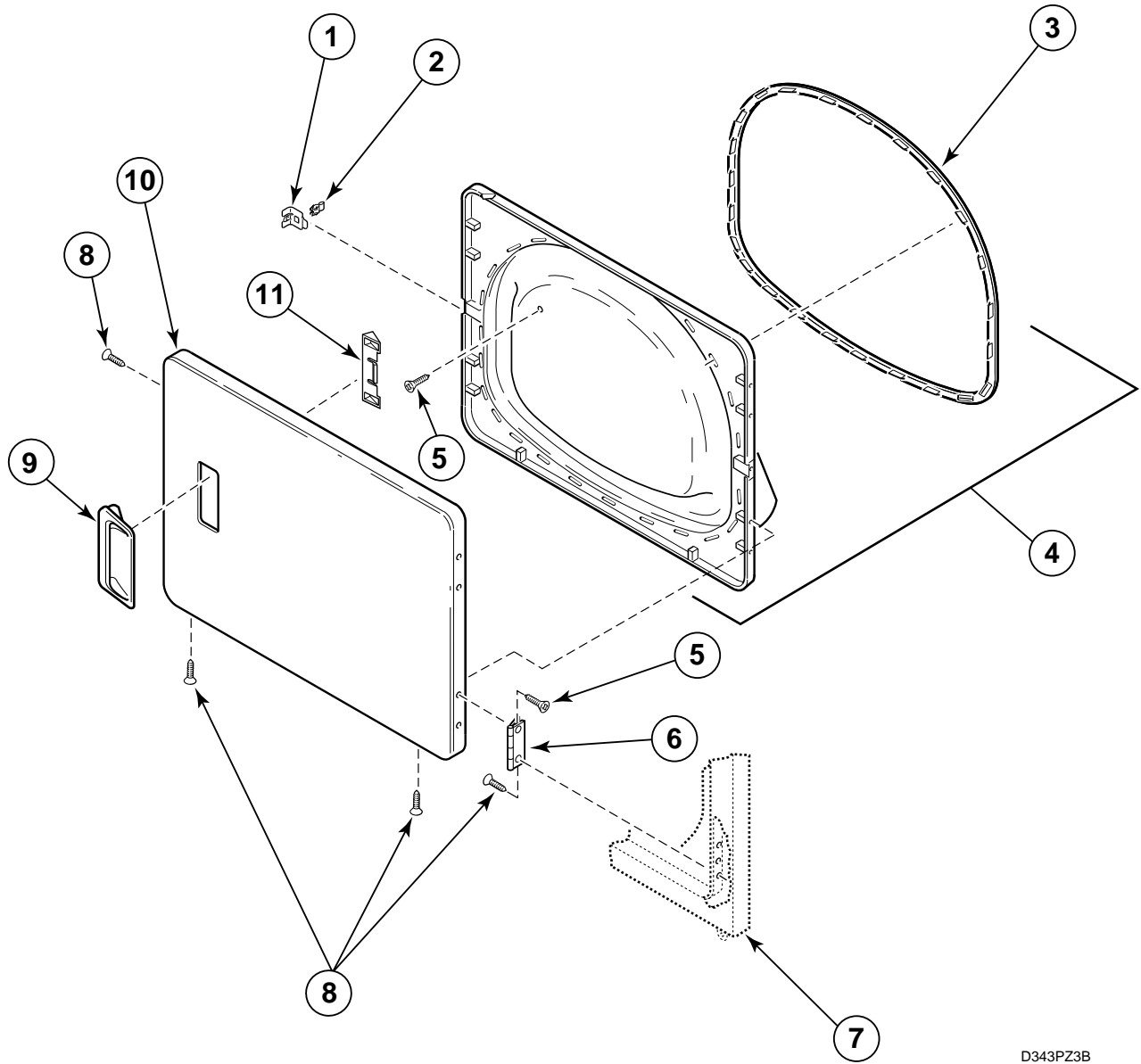
Models LES19A\*, LES33A\*, LGS19A\*, LGS19A\*-1188 and LGS33A\*

REF	PART #	DESCRIPTION	COMMENTS
1	500223	Door Striker Bracket	
2	500039	Door Striker	
3	503645	Door Seal	
4	503643W	Inner Door Panel And Seal	Includes 503645 Door Seal
5	503656*	Front Panel	
6	505295	Screw	
7	503676	Door Hinge	
8	503654*	Outer Door Panel	
9	503646*	Door Pull	
10	505328	Wedge	

\* Add Letter To Designate Color. L - Almond W - White

# Loading Door (Commercial)

Models LES37A\* and LGS37A\*



D343PZ3B

\* Add Letter To Designate Color. L - Almond W - White

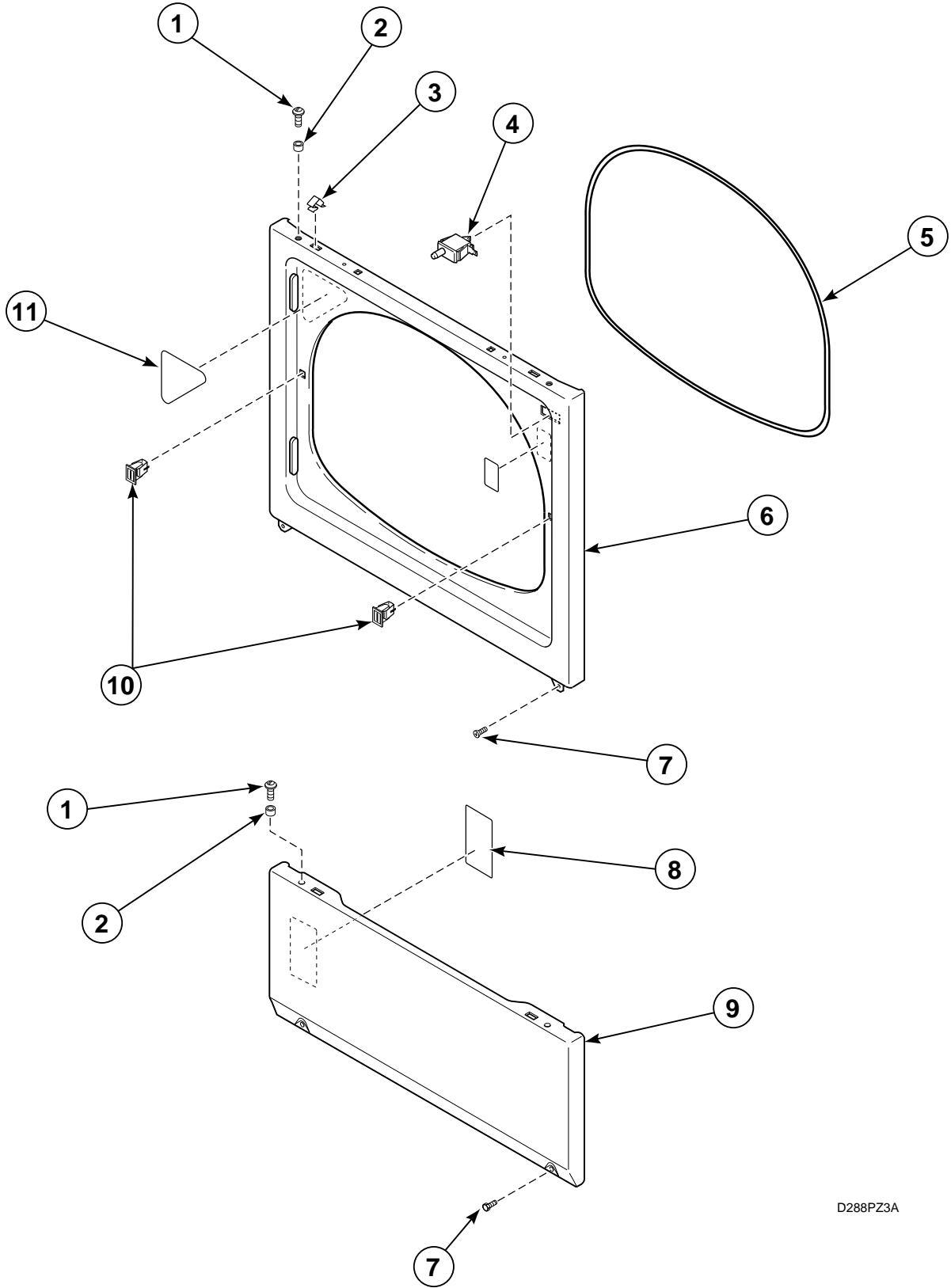
# Loading Door (Commercial)

Models LES37A\* and LGS37A\*

REF	PART #	DESCRIPTION	COMMENTS
1	500223	Door Striker Bracket	
2	500039	Door Striker	
3	503645	Door Seal	
4	504599W	Inner Door Panel and Seal Assembly	
5	505295	Screw	
6	503676	Door Hinge	
7	503656*	Front Panel	
8	500226	Screw	
9	503646*	Door Pull	
10	503654*	Outer Door Panel	
11	505328	Wedge	

\* ADD LETTER TO DESIGNATE COLOR. L – Almond W – White

# Access Panel, Front Panel and Seal



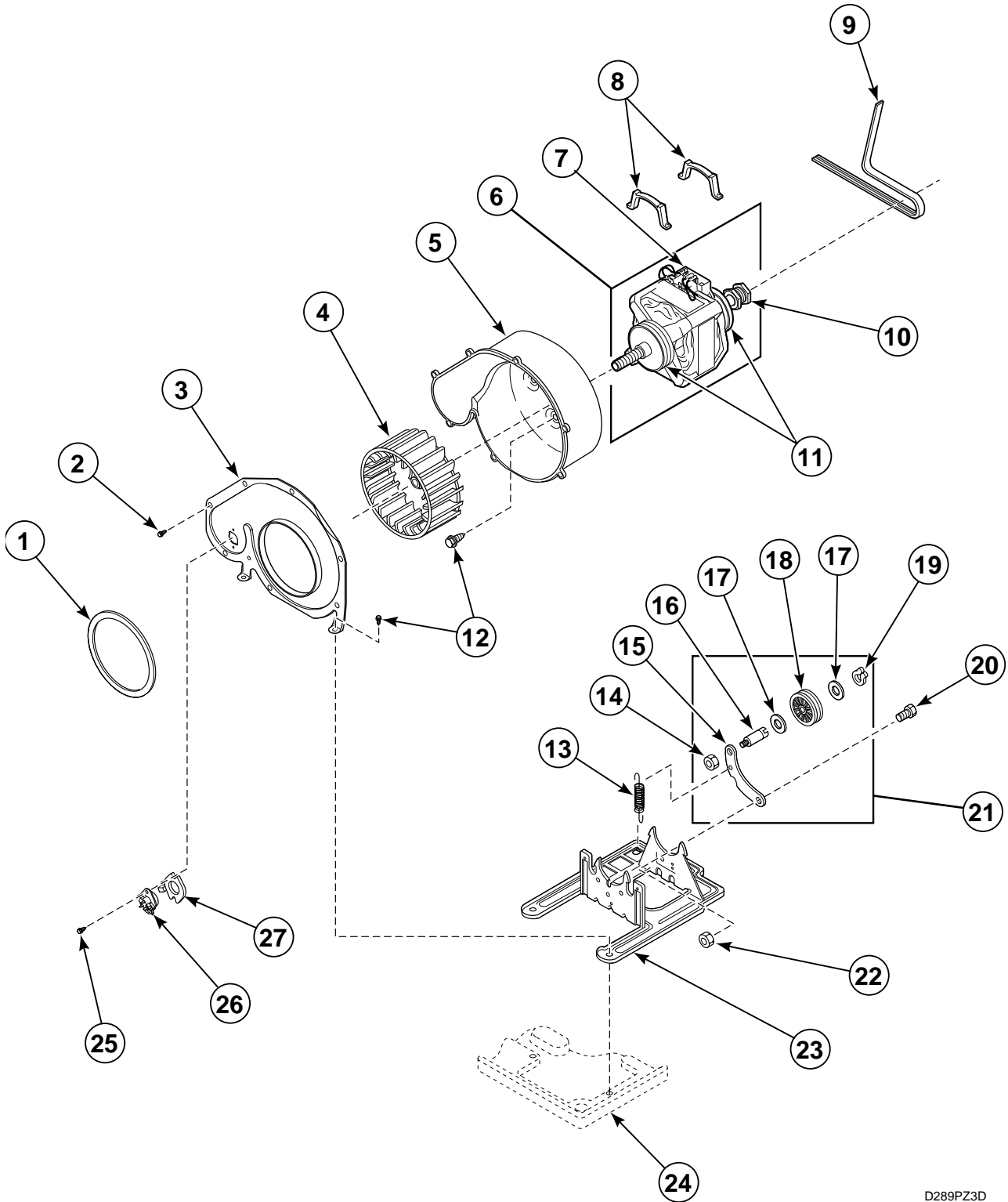
D288PZ3A

## Access Panel, Front Panel and Seal

REF	PART #	DESCRIPTION	COMMENTS
1	32671	Screw	
2	56079	Locator	
3	28835	Spring Clip	
4	504570	Door Switch	
5	504005	Front Panel Seal	
6	503656*	Front Panel	
7	503661	Screw	
8	500670	Label	Gas Models
9	503796*	Access Panel	
10	54660	Door Catch	
11	500281	Label	

\* Add Letter To Designate Color. L - Almond W - White

# Motor, Exhaust Fan and Belt



D289PZ3D



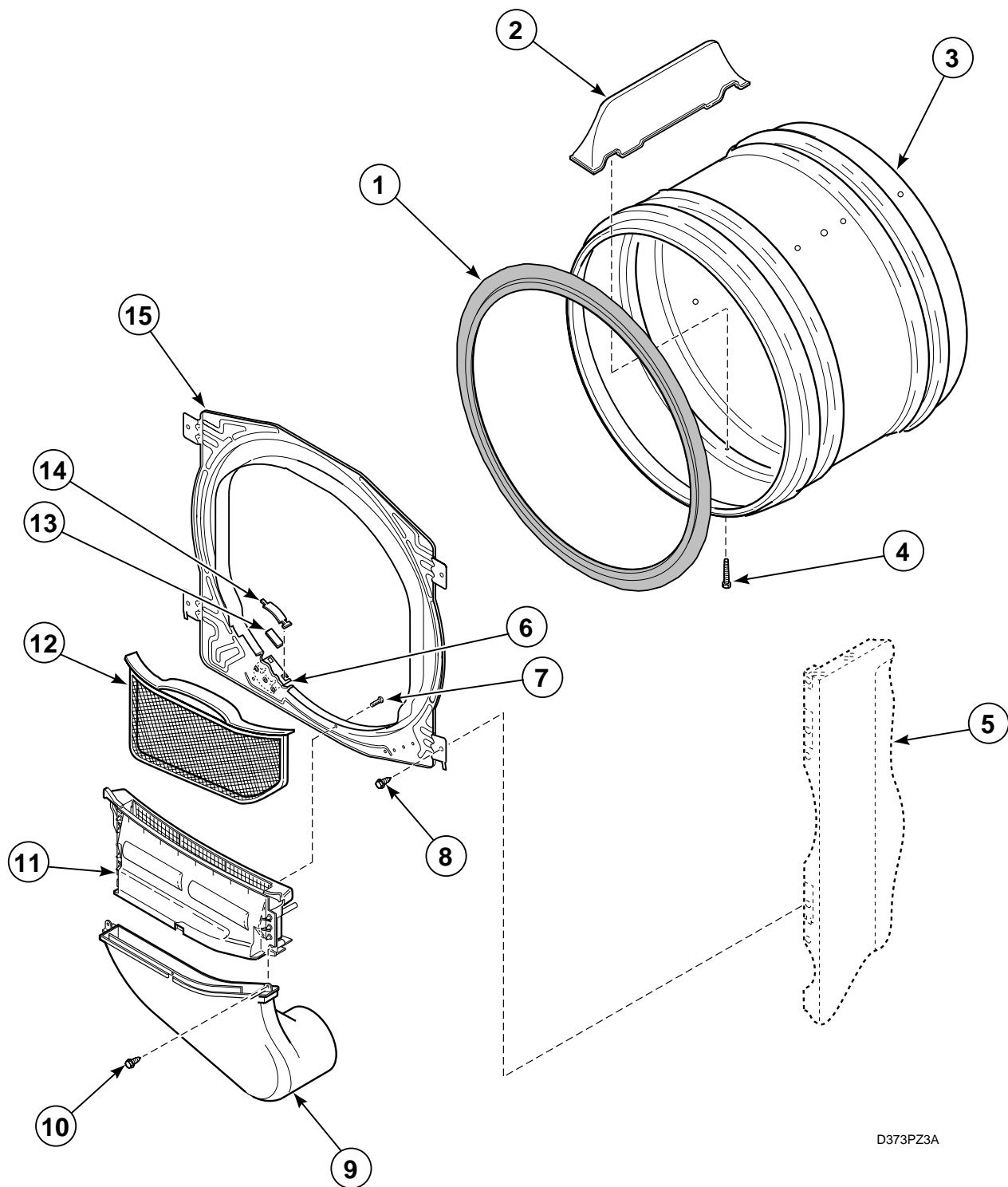
## Motor, Exhaust Fan and Belt

REF	PART #	DESCRIPTION	COMMENTS
1	504018	Seal	
2	31260	Screw	
3	500078	Exhaust Fan Cover	
4	56000	Exhaust Fan Impeller	
5	56020	Exhaust Fan Housing	
6	502368	Motor Assembly	
7	501218P	Motor Switch	Does not include thermal protector
8	58047	Motor Mounting Clamp	
9	59174	Belt	
10	500011	Motor Pulley	
11	590P3	Motor Hub Ring Kit	
12	503661	Screw	
13	56076	Spring	
14	56156	Locknut	
15	500910	Idler Lever	
16	56461	Shaft	
17	52549	Washer	
18	54414	Idler Pulley	
19	23748	Retainer Ring	
20	500824	Shoulder Screw	
21	500269	Idler Pulley And Lever Assembly	
22	52566	Lock Nut	
23	503613	Motor Mounting Bracket	
24	500070	Base	
25	33561	Screw	
26	504514	Thermostat	Models LES19A*, LES33A* and LES37A*
	503979	Thermostat	Models LGS19A*, LGS19A*-1188, LGS33A* and LGS37A*
27	61623	Thermostat Heater	

\*Add Letter To Designate Color. L - Almond W - White

# Front Bulkhead, Air Duct, Cylinder and Removable Lint Filter

Models LES19A\*, LES33A\*, LGS19A\*, LGS19A\*-1188 and LGS33A\*



D373PZ3A

\* Add Letter To Designate Color. L - Almond W - White

# Front Bulkhead, Air Duct, Cylinder and Removable Lint Filter

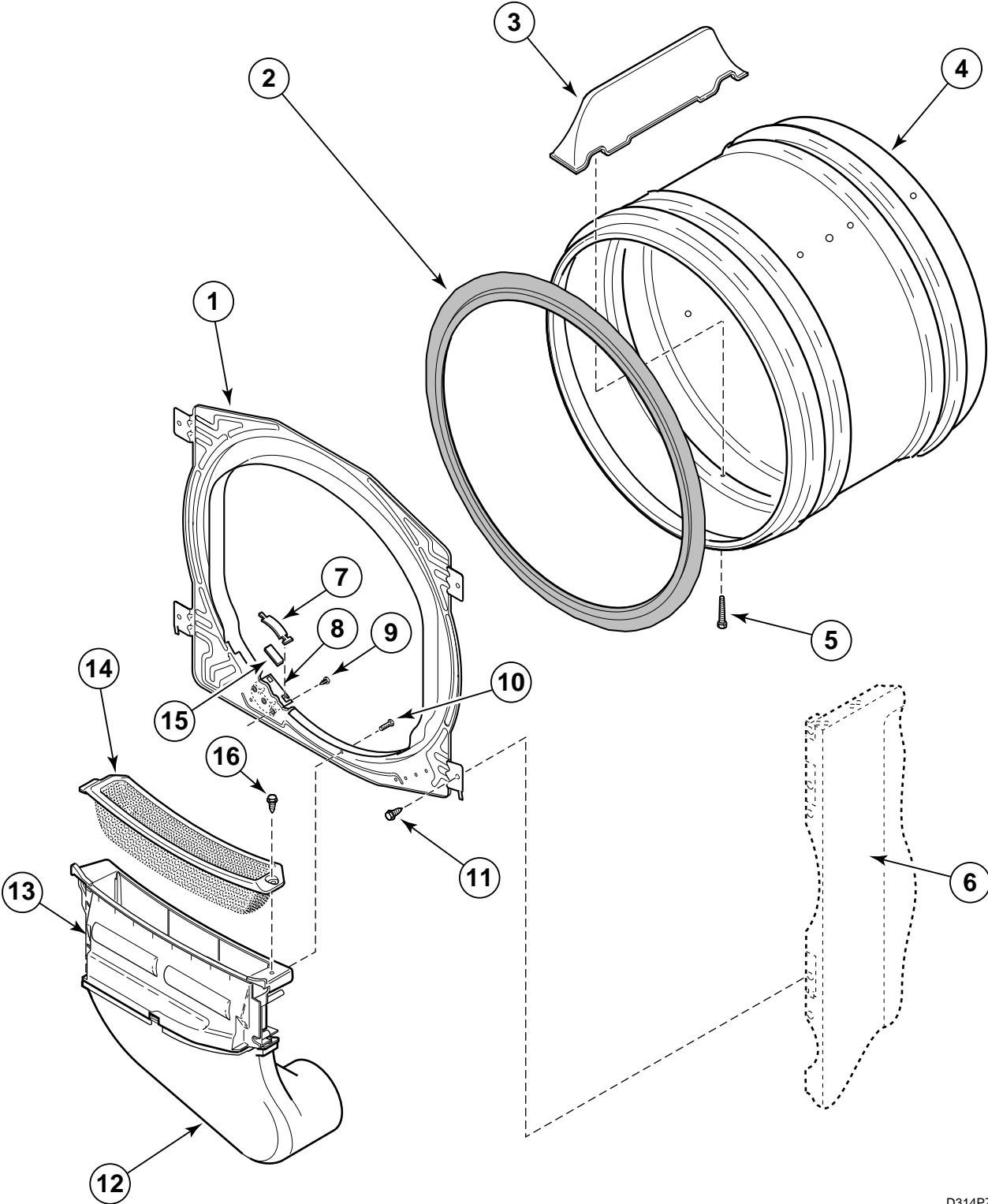
Models LES19A\*, LES33A\*, LGS19A\*, LGS19A\*-1188 and LGS33A\*

REF	PART #	DESCRIPTION	COMMENTS
	22506P	Adhesive For Cylinder Seal	
1	501801	Cylinder Seal	
2	503703	Baffle	
3	504467WP	Cylinder Assembly	Models LES33A* and LGS33A*
	504466P	Cylinder Assembly	Models LES19A*, LGS19A* and LGS19A*-1188
4	62588	Screw	
5	500001*P	Cabinet	
6	501554	Glide Bracket	
7	500226	Screw	
8	503661	Screw	
9	503626	Lower Air Duct Assembly	
10	501285	Screw	
11	505528	Upper Air Duct Assembly	
12	503627	Lint Filter	
13	500092	Felt Pad	
14	501676	Cylinder Glide	Painted and unpainted cylinder - one required per side
15	505059W	Front Bulkhead	

\* Add Letter To Designate Color. L - Almond W - White

# Front Bulkhead, Air Duct, Cylinder, and Secured Lint Filter

Models LES37A\* and LGS37A\*



D314PZ3A

\* Add Letter To Designate Color. L - Almond W - White

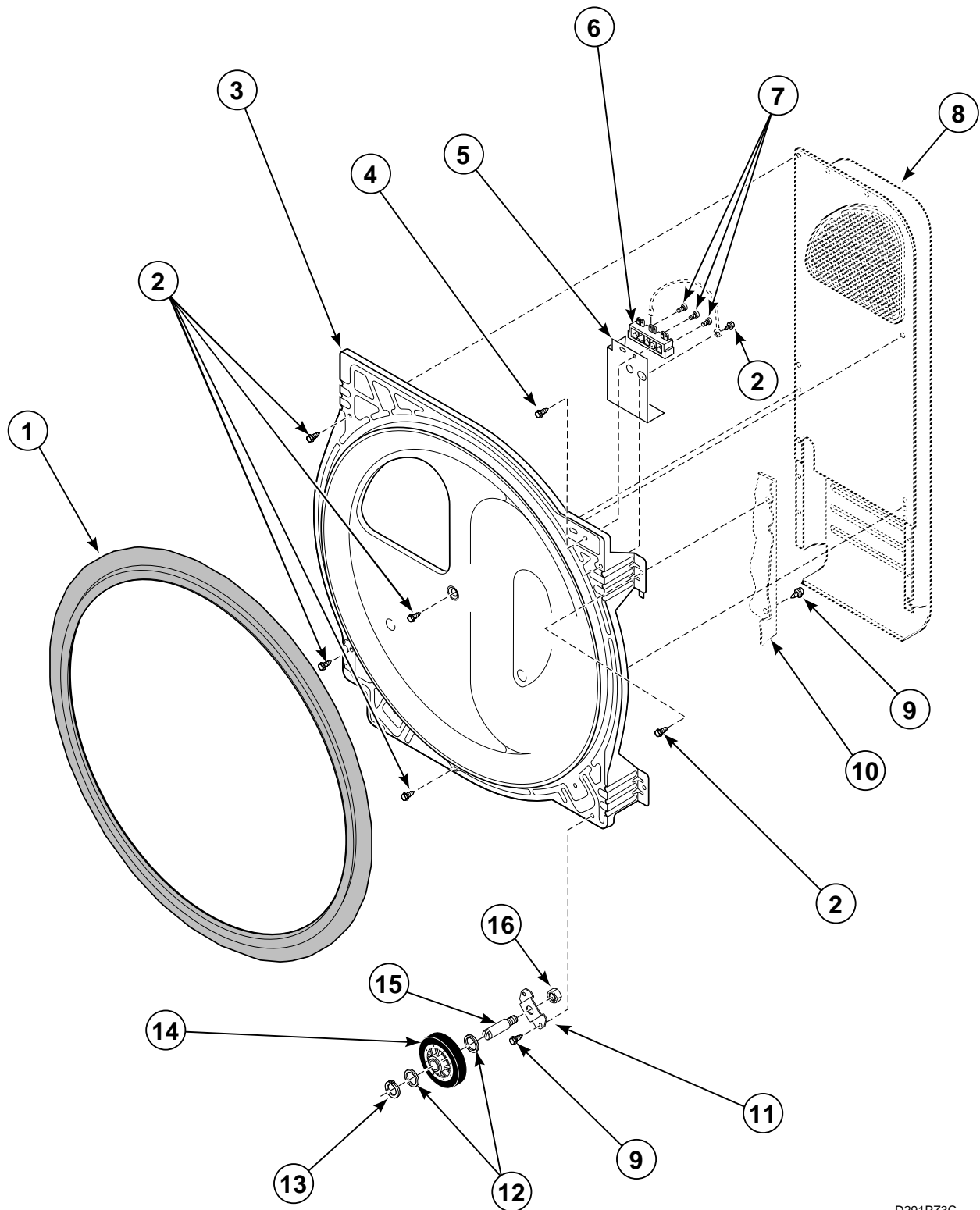
# Front Bulkhead, Air Duct, Cylinder, and Secured Lint Filter

Models LES37A\* and LGS37A\*

REF	PART #	DESCRIPTION	COMMENTS
	22506P	Adhesive For Cylinder Seal	
1	505058	Front Bulkhead	
2	501801	Cylinder Seal	
3	503703	Baffle	
4	504467WP	Cylinder Assembly	Includes baffles
5	62588	Screw	
6	500001*P	Cabinet	
7	501676	Cylinder Glide	Two required per side
8	501554	Glide Bracket	
9	504540	Rivet	
10	500226	Screw	
11	503688	Screw	
12	503626	Lower Air Duct Assembly	
13	505529	Upper Air Duct Assembly	
14	503980	Lint Filter	
15	500121	Felt Pad	
16	501285	Screw	

\* Add Letter To Designate Color. L - Almond W - White

# Rear Bulkhead, Felt Seal, Cylinder Roller and Terminal Block



D291PZ3C

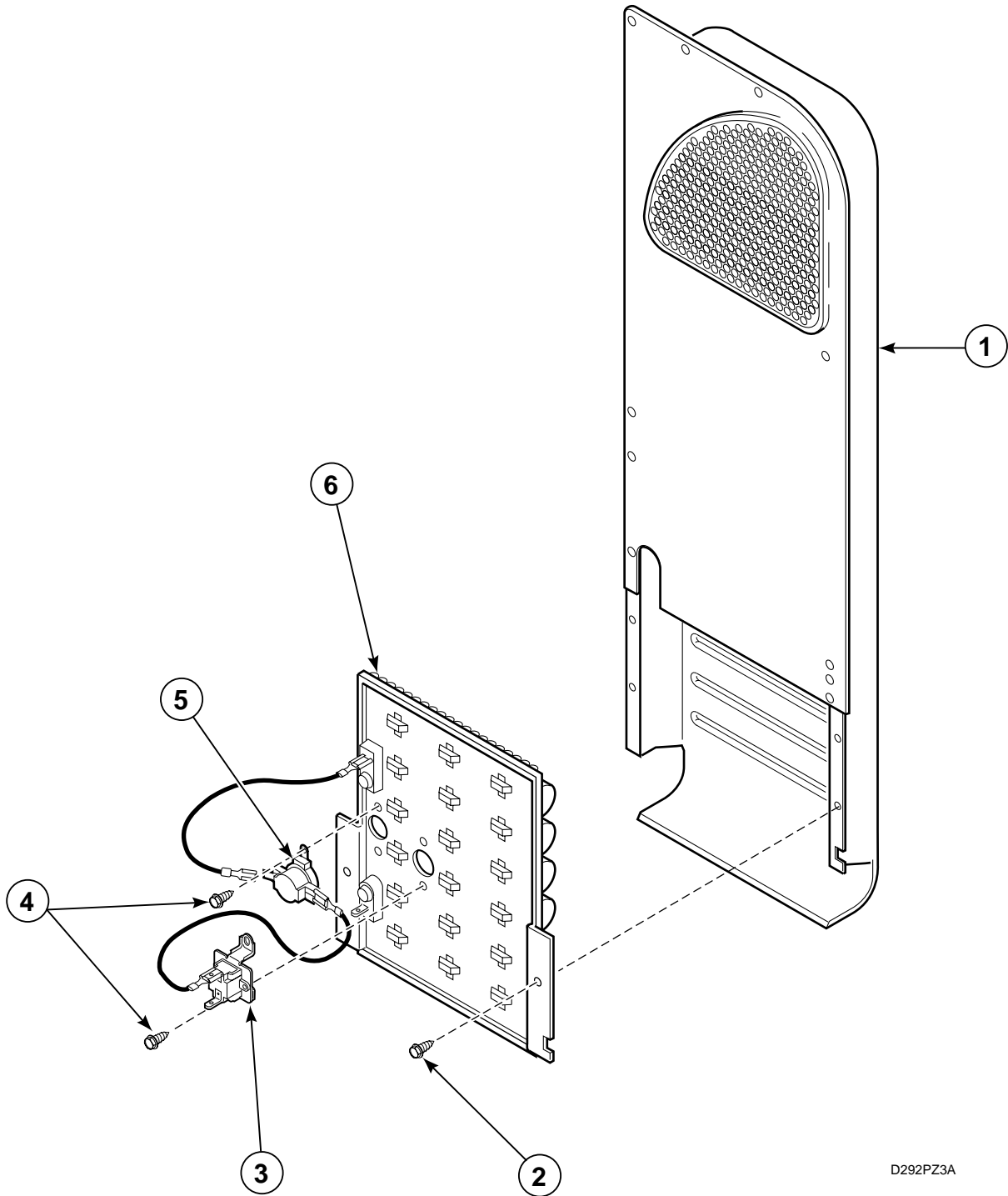
## Rear Bulkhead, Felt Seal, Cylinder Roller and Terminal Block

REF	PART #	DESCRIPTION	COMMENTS
	22506P	Adhesive For Cylinder Seal	
1	501801	Cylinder Seal	
2	503661	Screw	
3	505245	Rear Bulkhead	Painted—Includes 501801 Cylinder Seal
4	501285	Screw	
5	504185	Shield	
6	61923P	Terminal Block	
7	61199	Screw	
8	503607	Heater Assembly	
9	503668	Screw	
10	500001*P	Cabinet	
11	500062	Roller Bracket	
12	52549	Washer	
13	23748	Retainer Ring	
14	500214P	Cylinder Roller	
15	56461	Shaft	
16	56156	Locknut	

\* Add Letter To Designate Color. L - Almond W - White

# Heater Duct and Element Assembly

(Electric Model Dryers)



D292PZ3A



# Heater Duct and Element Assembly

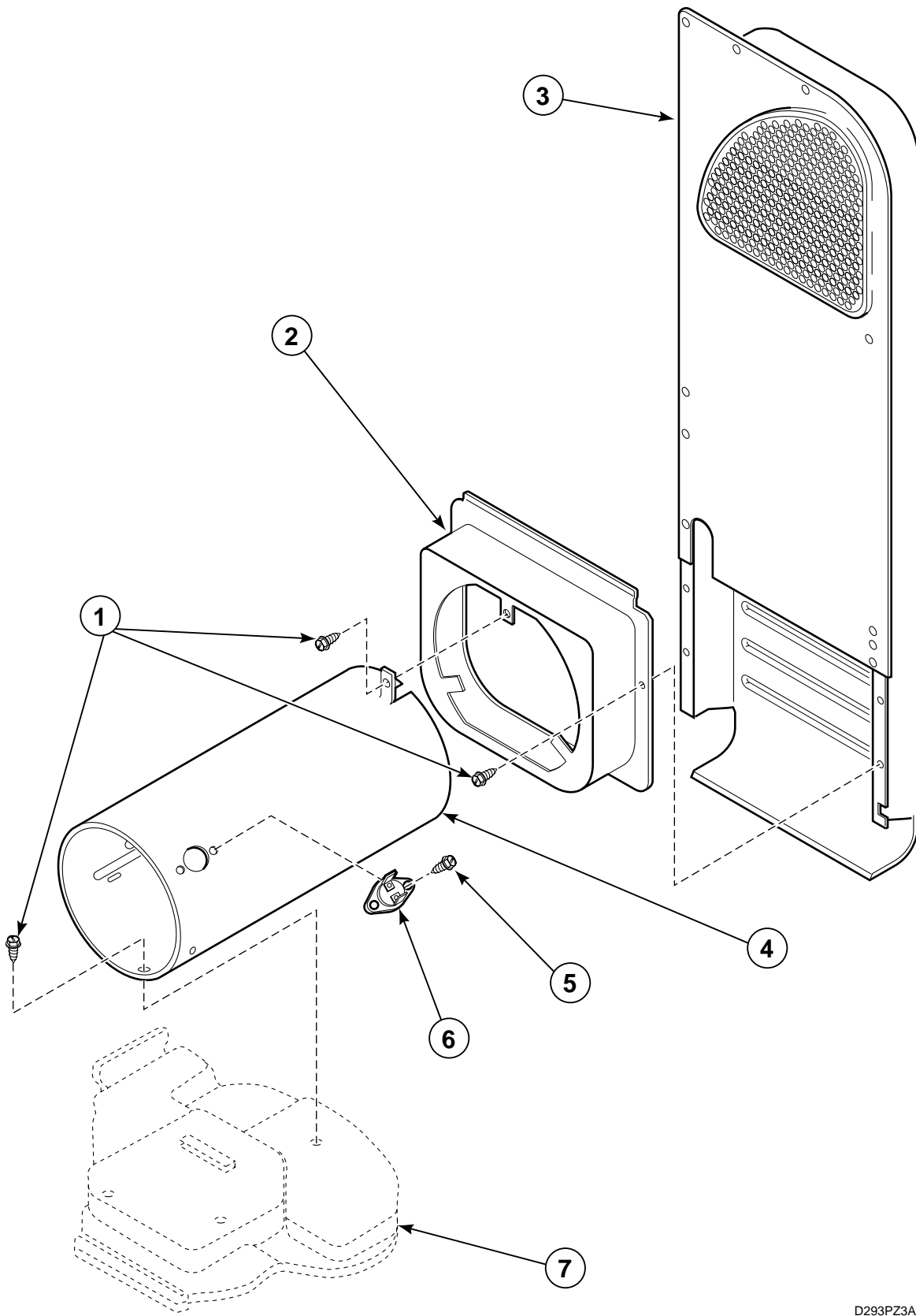
(Electric Model Dryers)

REF	PART #	DESCRIPTION	COMMENTS
1	503607P	Heater Duct Assembly	
2	503688	Screw	
3	62600	Thermal Fuse	
4	23222	Screw	
5	62641	Limit Thermostat	
6	503978	Heater Assembly	

\* Add Letter To Designate Color. L - Almond W - White

# Heater Duct Assembly

(Gas Model Dryers)



D293PZ3A

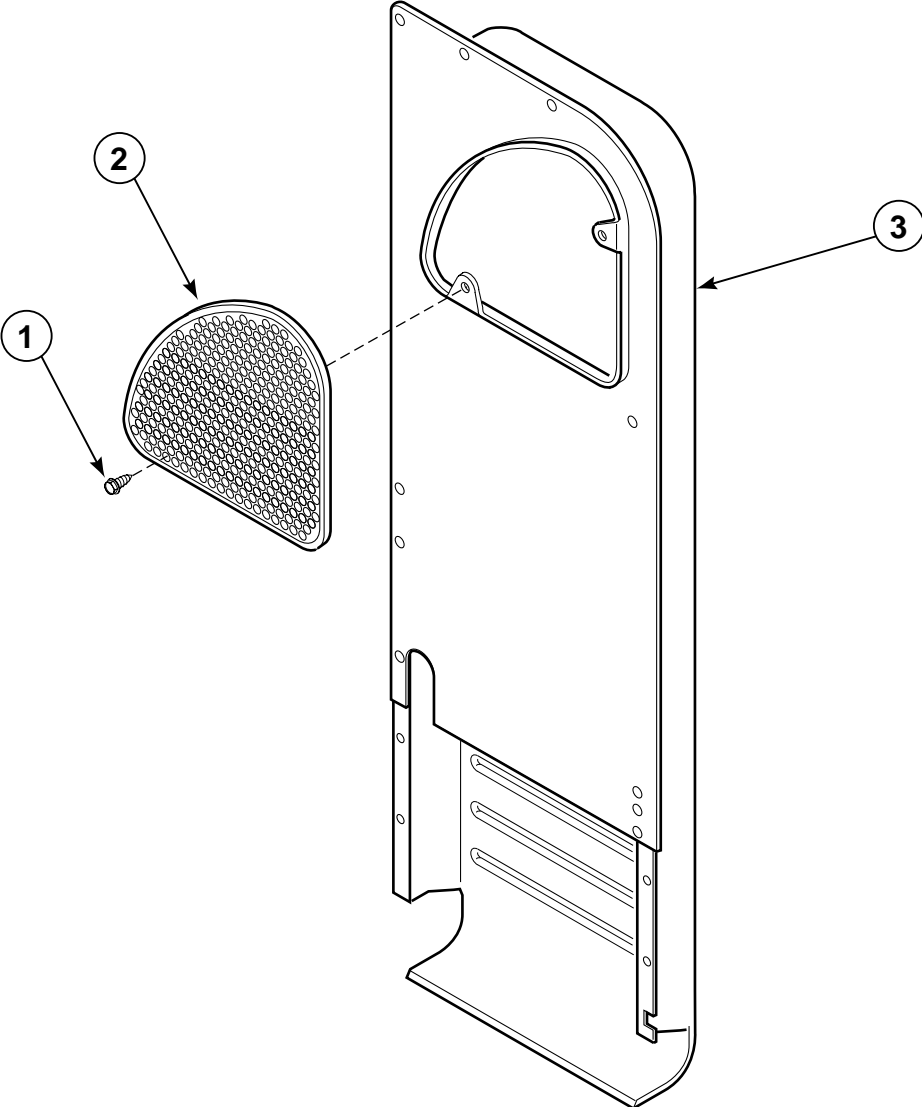
# Heater Duct Assembly

(Gas Model Dryers)

REF	PART #	DESCRIPTION	COMMENTS
1	503688	Screw	
2	500122	Heat Shroud	
3	503607P	Heater Duct Assembly	
4	61888	Combustion Duct	
5	51782	Screw	
6	61886	Limit Thermostat	
7	500070	Base	

\* Add Letter To Designate Color. L - Almond W - White

# Heater Duct Assembly Replacement



D294PZ3A

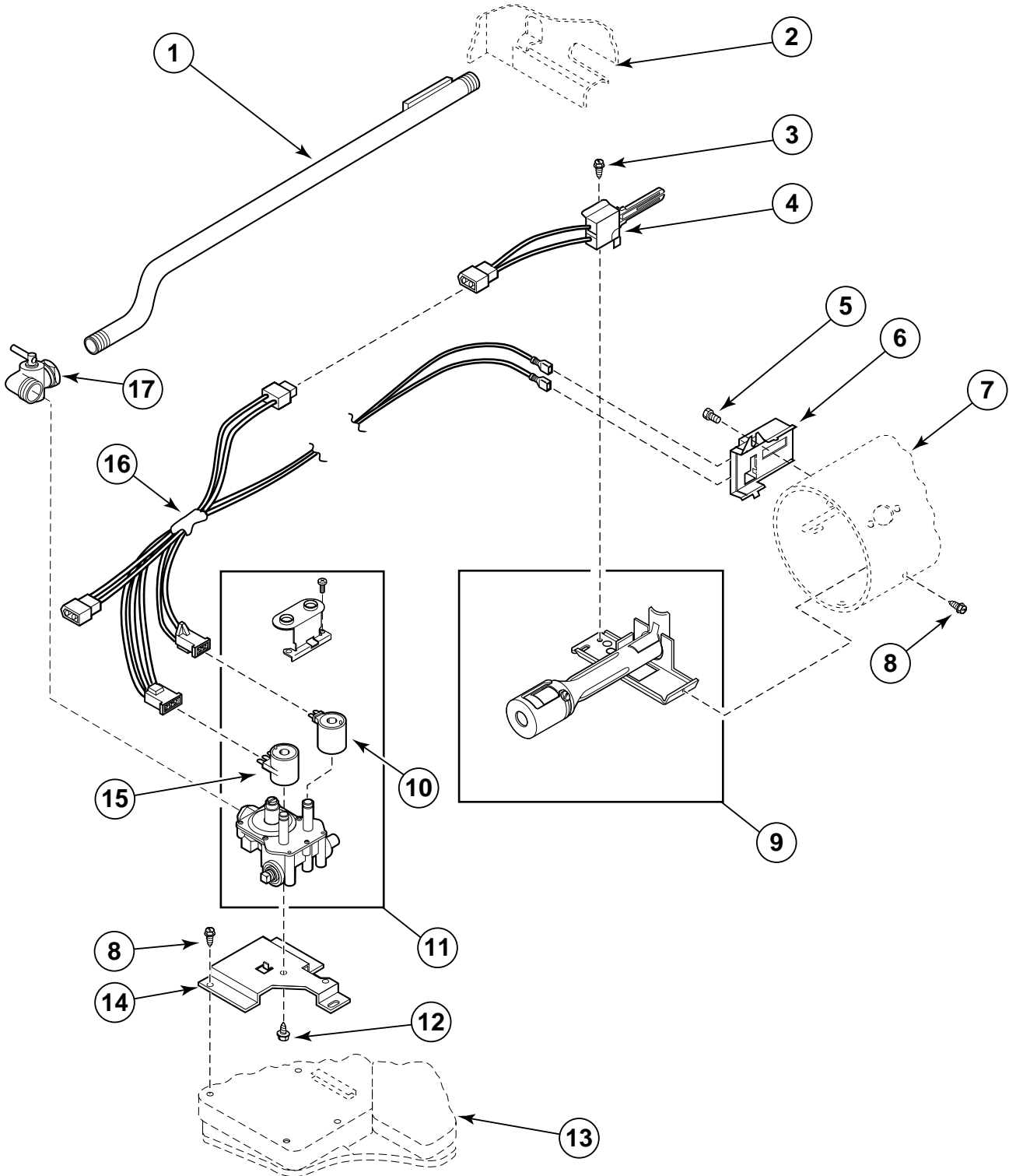
## Heater Duct Assembly Replacement

REF	PART #	DESCRIPTION	COMMENTS
1	23962	Screw	
2	500820	Outlet Cover	Replaceable on the 50179P Heater Box Assembly only
3	503607P	Heater Duct Assembly	Includes outlet cover and screws

\* Add Letter To Designate Color. L - Almond W - White

# Gas Valve, Igniter and Gas Conversion Kits

(Gas Model Dryers)



D303PZ3A

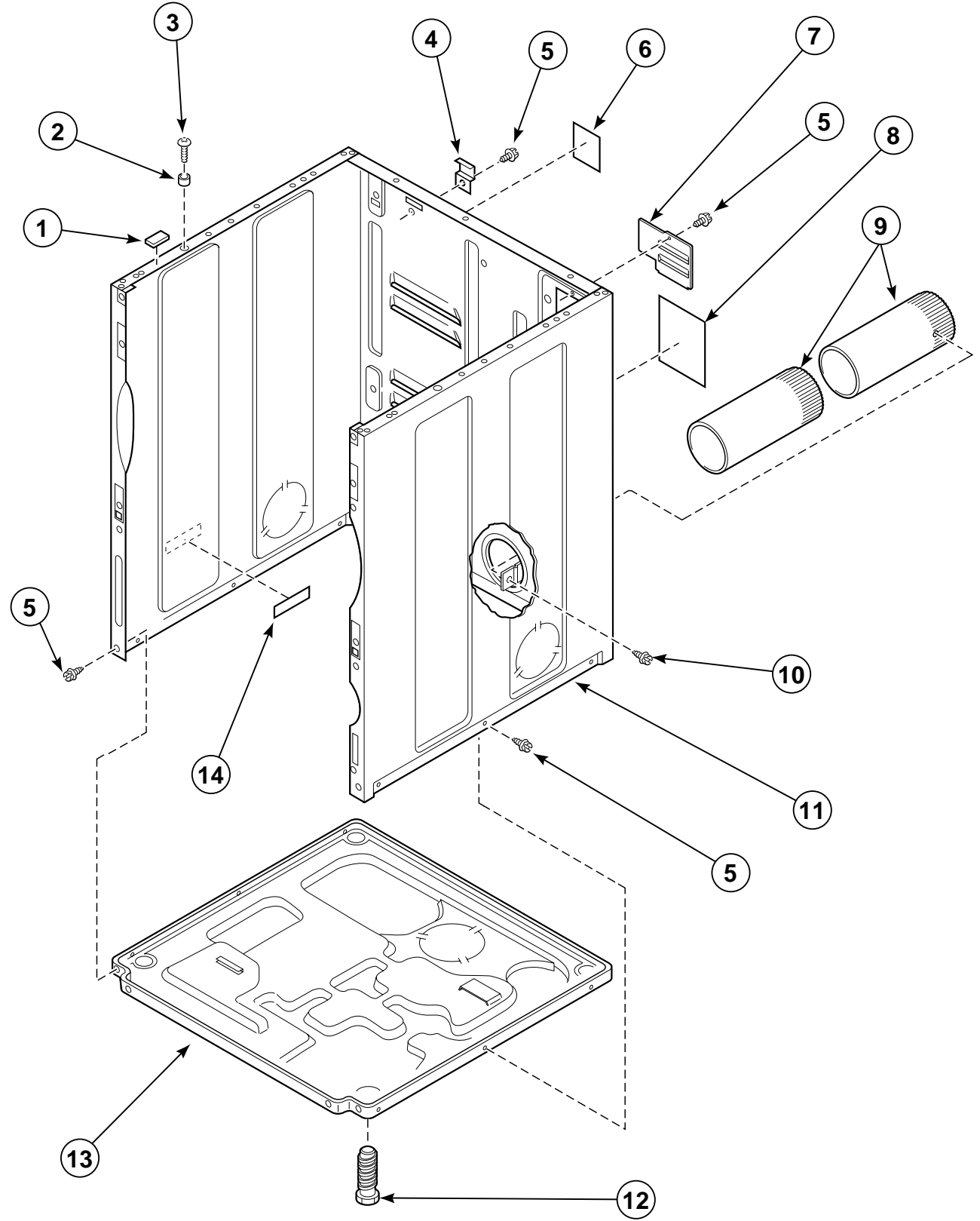
# Gas Valve, Igniter and Gas Conversion Kits

(Gas Model Dryers)

REF	PART #	DESCRIPTION	COMMENTS
	649P3	Gas Burner Conversion Kit	Used to convert dryers from Natural/Mixed to LP Gas
	650P3	Gas Burner Conversion Kit	Used to convert dryers from LP to Natural/Mixed Gas
1	500647	Lead-in Pipe Assembly	
2	500001*P	Cabinet	
3	51782	Screw	
4	60868	Igniter and Bracket Assembly	
5	23222	Screw	
6	56231	Sensor	
7	61888	Combustion Duct	
8	503688	Screw	
9	56234	Burner Assembly	
10	58804B	Secondary Coil	
11	504091	Gas Valve Assembly	
12	56124	Screw	
13	500070	Base	
14	500821	Mounting Bracket	
15	58804A	Holding and Booster Coil	
16	60641	Wire Harness	

\* Add Letter To Designate Color. L - Almond W - White

# Cabinet, Exhaust Duct and Base



D296PZ3A

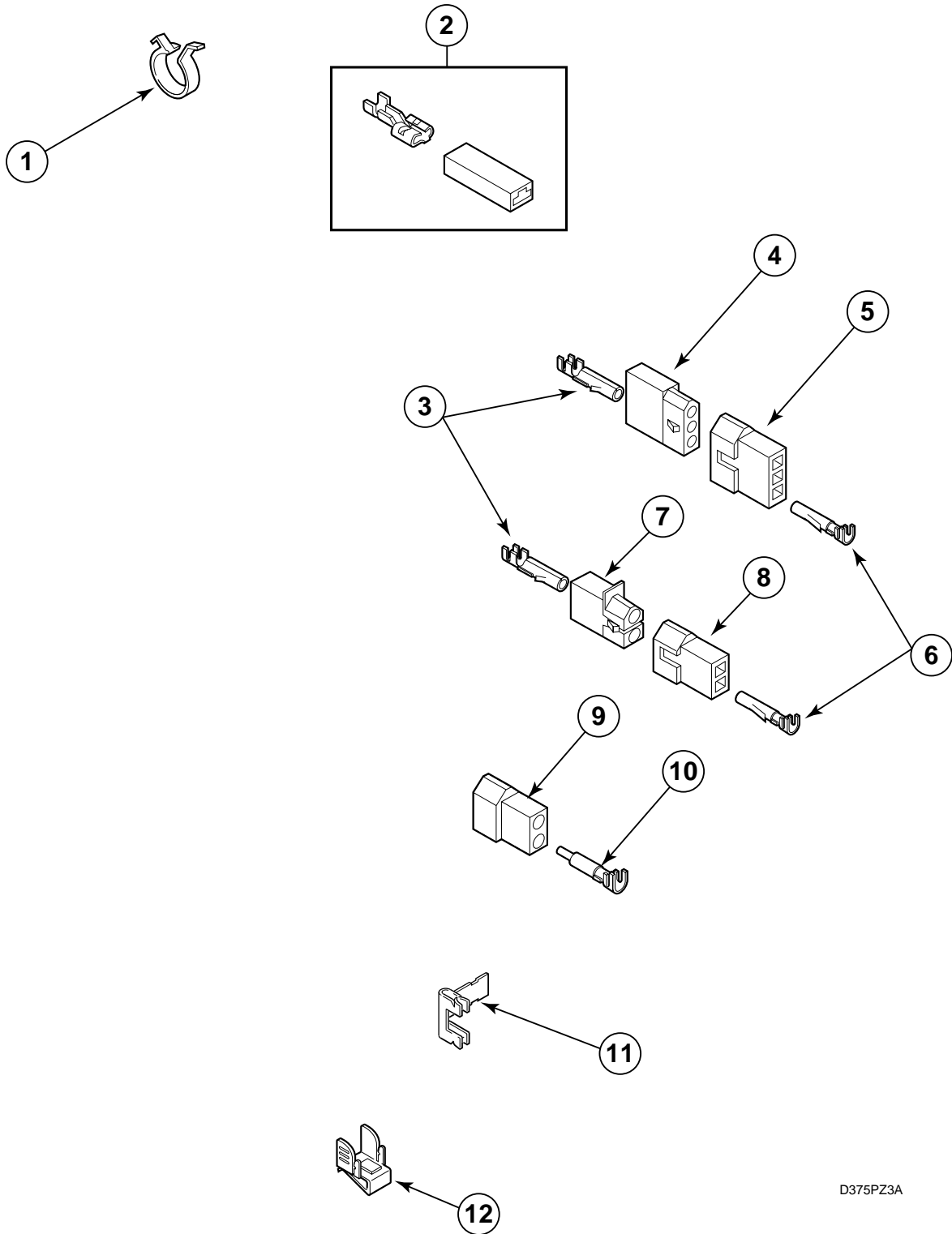


## Cabinet, Exhaust Duct and Base

REF	PART #	DESCRIPTION	COMMENTS
	521P3	Flexible Venting Kit	
	528P3	Directional Exhaust Kit	Used to vent dryer out the sides or bottom
1	56128	Bumper	
2	56079	Locator	
3	32671	Screw	
4	500003	Top Hinge	
5	503661	Screw	
6	500495	Label	Gas Models
7	500114	Access Cover Plate	
8	501289	Label	Electric Models
9	500064	Exhaust Duct	Each dryer requires two pieces
10	503688	Screw	
11	500001*P	Cabinet	
12	500101	Leveling Leg	
13	500070	Base	
14	61294	Label	Electric Models

\* Add Letter To Designate Color. L - Almond W - White

# Terminals and Clips



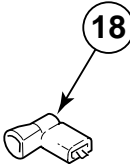
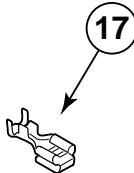
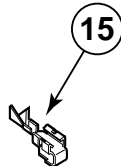
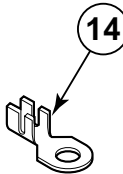
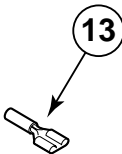
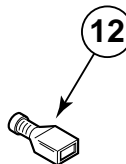
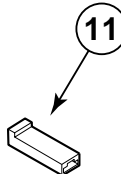
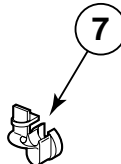
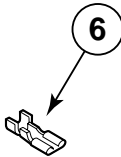
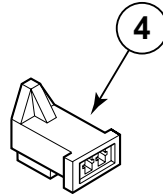
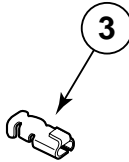
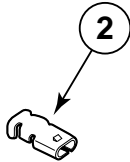
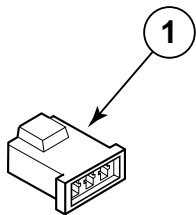
D375PZ3A

## Terminals and Clips

REF	PART #	DESCRIPTION	COMMENTS
1	504034	Wire Clip	
2	00237	Insulated 1/4 Inch Spade Terminal	(1) 12 Gauge Wire or (2) 18 Gauge Wires
3	00117	Female Socket Terminal	
4	23039	Terminal Block Receptacle	3 Circuit
5	23040	Terminal Block Plug	3 Circuit
6	00116	Male Pin Terminal	
7	56451	Terminal Block Receptacle	2 Circuit
8	56448	Terminal Block Plug	2 Circuit
9	56266	Terminal Block Plug	2 Circuit
10	00127	Male Pin Terminal	
11	505102	Harness Restraining Clip	
12	00161	Ground Clip	

\* Add Letter To Designate Color. L - Almond W - White

# Terminals



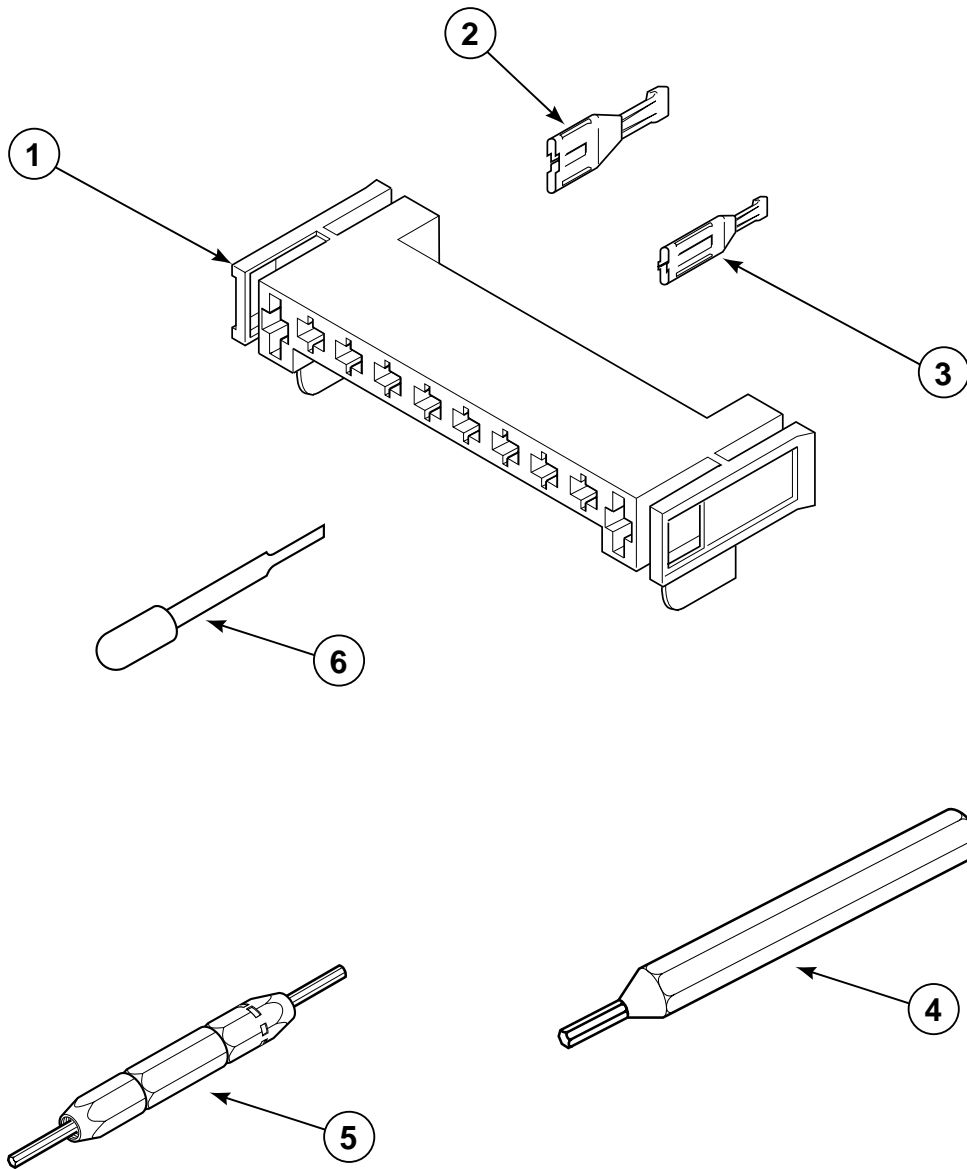
D379PZ3A

## Terminals

REF	PART #	DESCRIPTION	COMMENTS
1	58800	Terminal Block	3 Circuit connector
2	00189	Spade Terminal	
3	00190	Terminal	Receptacle connector
4	58799	Terminal Block	2 Circuit connector
5	00119	Spade Terminal	1/4 Inch - (1) 18 Gauge Wire
5	00121	Spade Terminal	1/4 Inch - (2) 18 Gauge Wires or (1) 12 Gauge Wire
5	00245	Spade Terminal	1/4 Inch - (1) 22 Gauge Wire
6	00124	Spade Terminal	3/16 Inch - (1) 18 Gauge Wire - .020 Tab
6	00156	Spade Terminal	3/16 Inch - Thermostat Wire - .032 Tab
6	00209	Spade Terminal	3/16 Inch - (2) 18 Gauge Wires -.020 Tab
7	38384	Strain Relief	Gas Models
8	00346	Terminal	
9	00347	Terminal	
10	00115	Lock In Spade Terminal	1/4 Inch - (1) 18 Gauge Wire
10	00122	Lock In Spade Terminal	1/4 Inch - (2) 18 Gauge Wires or (1) 12 Gauge Wire
11	90789	Connector	
12	00163	Insulated Spade Terminal	1/4 Inch
12	00165	Insulated Spade Terminal	3/16 Inch
13	00214	Barrel Insulated Spade Terminal	1/4 Inch - 18 Gauge Wire
13	00215	Barrel Insulated Spade Terminal	1/4 Inch - 12 Gauge Wire
14	00110	Ring Terminal #10	(1) 18 Gauge Wire
14	00111	Ring Terminal #10	(2) 18 Gauge Wires or (1) 12 Gauge Wire
15	00114	Spade Terminal	1/4 Inch - Double connector
16	00138	Male Tab Terminal	1/4 Inch - (1) 18 Gauge Wire
16	00139	Male Tab Terminal	1/4 Inch - (2) 18 Gauge Wires or (1) 12 Gauge Wire
17	00344	Terminal	
18	00345	Terminal	

\* Add Letter To Designate Color. L - Almond W - White

# Motor Connection Block, Terminal Extractor Tools



D301PZ3A

## Motor Connection Block, Terminal Extractor Tools

REF	PART #	DESCRIPTION	COMMENTS
1	500338	Motor Connection Block	Molex - 10 Circuit
2	00256	Spade Terminal	1/4 Inch - For (1) or (2) 18 Gauge Wires
2	00255	Spade Terminal	1/4 Inch - For (1) 12 Gauge Wire
3	00188	Molex Terminal	For one or two wire application
4	128P4	Terminal Extractor Tool	For use on gas dryer terminals
5	190P4	Terminal Extractor Tool	For use on electric dryer terminals
6	283P4	Terminal Extractor Tool	For use on Molex Connectors

\* Add Letter To Designate Color. L - Almond W - White

## Wire Harnesses

Individual wires are not available separately. Order complete wire harness, or order wire by the foot. See chart below.

MODEL NUMBER	WIRE HARNESS PART NUMBER
LES19A*	505467
LES33A*	505468
LES37A*	505468
LGS19A*	503906
LGS19A*-1188	503906
LGS33A*	503927
LGS37A*	503927

\* Add Letter To Designate Color. L - Almond W - White

### Wire Harness

Order the individual wire color and gauge by the part number listed below. Order wire by the foot and terminals and connectors as required. It is recommended when applying terminals to wires that the terminals be soldered to the wires.

**IMPORTANT: Always replace wires with proper gauge.**

PART NUMBER	WIRE GAUGE	WIRE COLOR
45001	18 Gauge Wire	Black
45380	12 Gauge Wire	Orange

\* Add Letter To Designate Color. L - Almond W - White



# Parts Index

Part #	Description	Page Number
<b>A</b>		
500114	Access Cover Plate	31
22506P	Adhesive for Cylinder Seal	17, 19, 21
<b>B</b>		
503703	Baffle	17, 19
00214	Barrel Insulated Spade Terminal	35
00215	Barrel Insulated Spade Terminal	35
500070	Base	15, 25, 29, 31
59174	Belt	15
56128	Bumper	31
56234	Burner Assembly	29
<b>C</b>		
500001*P	Cabinet	7, 17, 19, 21, 29, 31
500085*P	Cabinet Top	5, 7
61888	Combustion Duct	25, 29
90789	Connector	35
500343	Control Hood Rear Panel	5, 7
504467WP	Cylinder Assembly	17, 19
504466P	Cylinder Assembly	17
501676	Cylinder Glide	17, 19
500214P	Cylinder Roller	21
501801	Cylinder Seal	17, 19, 21
<b>D</b>		
528P3	Directional Exhaust Kit	31
54660	Door Catch	13
503676	Door Hinge	9, 11
503646*	Door Pull	9, 11
503645	Door Seal	9, 11
500039	Door Striker	9, 11
500223	Door Striker Bracket	9, 11
504570	Door Switch	13
<b>E</b>		
45001	18 Gauge Wire, Black	38
504009*	End Cap Left	5
504008	End Cap Right	5
500064	Exhaust Duct	31
500078	Exhaust Fan Cover	15
56020	Exhaust Fan Housing	15
56000	Exhaust Fan Impeller	15
<b>F</b>		
503997	Fabric Selector Switch	5
500092	Felt Pad	17
500121	Felt Pad	19
00117	Female Socket Terminal	33
521P3	Flexible Venting Kit	31
504251	Front Bulkhead	19
505059W	Front Bulkhead	17

503656*	Front Panel	9, 11, 13
504005	Front Panel Seal	13

## G

649P3	Gas Burner Conversion Kit	29
650P3	Gas Burner Conversion Kit	29
504091	Gas Valve Assembly	29
501554	Glide Bracket	17, 19
504020*	Graphic Panel	5
504197*	Graphic Panel	5
00161	Ground Clip	33

## H

505102	Harness Restraining Clip	33
500122	Heat Shroud	25
503607	Heater Assembly	21
503978	Heater Assembly	23
503607P	Heater Duct Assembly	23, 25, 27
500084	Hold-down Bracket	7
503876	Hold-down Clip	7
58804A	Holding And Booster Coil	29

## I

500910	Idler Lever	15
54414	Idler Pulley	15
500269	Idler Pulley and Lever Assembly	15
60868	Igniter and Bracket Assembly	29
503643W	Inner Door Panel and Seal	9
504599W	Inner Door Panel and Seal Assembly	11
00163	Insulated Spade Terminal	35
00165	Insulated Spade Terminal	35
00237	Insulated 1/4 Inch Spade Terminal	33

## L

24903	Label	7
500281	Label	13
500495	Label	31
500670	Label	13
501289	Label	31
61294	Label	31
500647	Lead-in Pipe Assembly	29
500101	Leveling Leg	31
61886	Limit Thermostat	25
62641	Limit Thermostat	23
503627	Lint Filter	17
503980	Lint Filter	19
56079	Locator	13, 31
00115	Lock In Spade Terminal	35
00122	Lock In Spade Terminal	35
52566	Lock Nut	15
56156	Locknut	15, 21
503796*	Lower Access Panel	13
503626	Lower Air Duct Assembly	17, 19

## M

00116	Male Pin Terminal	33
-------	-------------------	----

00127	Male Pin Terminal	33
00138	Male Tab Terminal	35
00139	Male Tab Terminal	35
00188	Molex Terminal	37
502368	Motor Assembly	15
500338	Motor Connection Block	37
590P3	Motor Hub Ring Kit	15
503613	Motor Mounting Bracket	15
58047	Motor Mounting Clamp	15
500011	Motor Pulley	15
501218P	Motor Switch	15
500821	Mounting Bracket	29

## O

503654*	Outer Door Panel	9, 11
500820	Outlet Cover	27

## R

505245	Rear Bulkhead	21
23748	Retainer Ring	15, 21
00110	Ring Terminal #10	35
00111	Ring Terminal #10	35
504540	Rivet	19
500062	Roller Bracket	21

## S

23222	Screw	23
23962	Screw	27
31260	Screw	15
32671	Screw	13, 31
33561	Screw	15
500226	Screw	11, 17, 19
501086	Screw	5
501285	Screw	17, 21
503661	Screw	7, 13, 15, 17, 21, 31
503668	Screw	21
503688	Screw	19, 23, 25, 29, 31
505295	Screw	9, 11
51782	Screw	25, 29
56124	Screw	29
61199	Screw	21
62588	Screw	17, 19
23222	Screw	29
501285	Screw	19
501086	Screw	7
503688	Screw	7
504018	Seal	15
58804B	Secondary Coil	29
56231	Sensor	29
56461	Shaft	15, 21
504185	Shield	21
500824	Shoulder Screw	15
504102	Signal	5
00114	Spade Terminal	35
00119	Spade Terminal	35
00121	Spade Terminal	35
00124	Spade Terminal	35
00156	Spade Terminal	35

00189	Spade Terminal	35
00209	Spade Terminal	35
00245	Spade Terminal	35
00255	Spade Terminal	37
00256	Spade Terminal	37
56076	Spring	15
28835	Spring Clip	13
38384	Strain Relief	35
503901	Support Control Panel	5
33688	Switch Knob Assembly	5

## T

00190	Terminal	35
00344	Terminal	35
00345	Terminal	35
00346	Terminal	35
00347	Terminal	35
58799	Terminal Block	35
58800	Terminal Block	35
61923P	Terminal Block	21
23040	Terminal Block Plug	33
56266	Terminal Block Plug	33
56448	Terminal Block Plug	33
23039	Terminal Block Receptacle	33
56451	Terminal Block Receptacle	33
128P4	Terminal Extractor Tool	37
190P4	Terminal Extractor Tool	37
283P4	Terminal Extractor Tool	37
62600	Thermal Fuse	23
504514	Thermostat	15
503979	Thermostat	15
61623	Thermostat Heater	15
505473	Timer	5
504546	Timer	5
504002*	Timer Knob Assembly	5
503674	Top Cover	5
500003	Top Hinge	31
45380	12 Gauge Wire, Orange	38

## U

505528	Upper Air Duct Assembly	17
505529	Upper Air Duct Assembly	19

## W

52549	Washer	15, 21
505328	Wedge	9, 11
504034	Wire Clip	33
60641	Wire Harness	29
503906	Wire Harness, LGS19A* Models	38
503906	Wire Harness, LGS19A*-1188 Models	38
503927	Wire Harness, LGS33A* Models	38
503927	Wire Harness, LGS37A* Models	38
505467	Wire Harness, LES19A* Models	38
505468	Wire Harness, LES33A* Models	38
505468	Wire Harness, LES37A* Models	38



