



AD-330/AD-320 Parts Manual 24 VAC Phase 5

For Models Manufactured as of July 2002

American Dryer Corporation
88 Currant Road
Fall River, MA 02720-4781
Telephone: (508) 678-9000 / Fax: (508) 678-9447
e-mail: techsupport@amdry.com
www.amdry.com

Retain This Manual In A Safe Place For Future Reference

American Dryer Corporation products embody advanced concepts in engineering, design, and safety. If this product is properly maintained, it will provide many years of safe, efficient, and trouble free operation.

ONLY qualified technicians should service this equipment.

OBSERVE ALL SAFETY PRECAUTIONS displayed on the equipment or specified in the installation manual included with the dryer.

The following “**FOR YOUR SAFETY**” caution **must be** posted near the dryer in a prominent location.

FOR YOUR SAFETY

Do not store or use gasoline or other flammable vapors and liquids in the vicinity of this or any other appliance.

POUR VOTRE SÉCURITÉ

Ne pas entreposer ni utiliser d'essence ni d'autres vapeurs ou liquides inflammables à proximité de cet appareil ou de tout autre appareil.

We have tried to make this manual as complete as possible and hope you will find it useful. **ADC** reserves the right to make changes from time to time, without notice or obligation, in prices, specifications, colors, and material, and to change or discontinue models.

Important

For your convenience, log the following information:

DATE OF PURCHASE _____ **MODEL NO.** _____

RESELLER'S NAME _____

Serial Number(s) _____

Replacement parts can be obtained from your reseller or the **ADC** factory. When ordering replacement parts from the factory, you can FAX your order to **ADC** at (508) 678-9447 or telephone your order directly to the **ADC** Parts Department at (508) 678-9000. Please specify the dryer **model number** and **serial number** in addition to the **description** and **part number**, so that your order is processed accurately and promptly.

The illustrations on the following pages may not depict your particular dryer exactly. The illustrations are a composite of the various dryer models. Be sure to check the descriptions of the parts thoroughly before ordering.

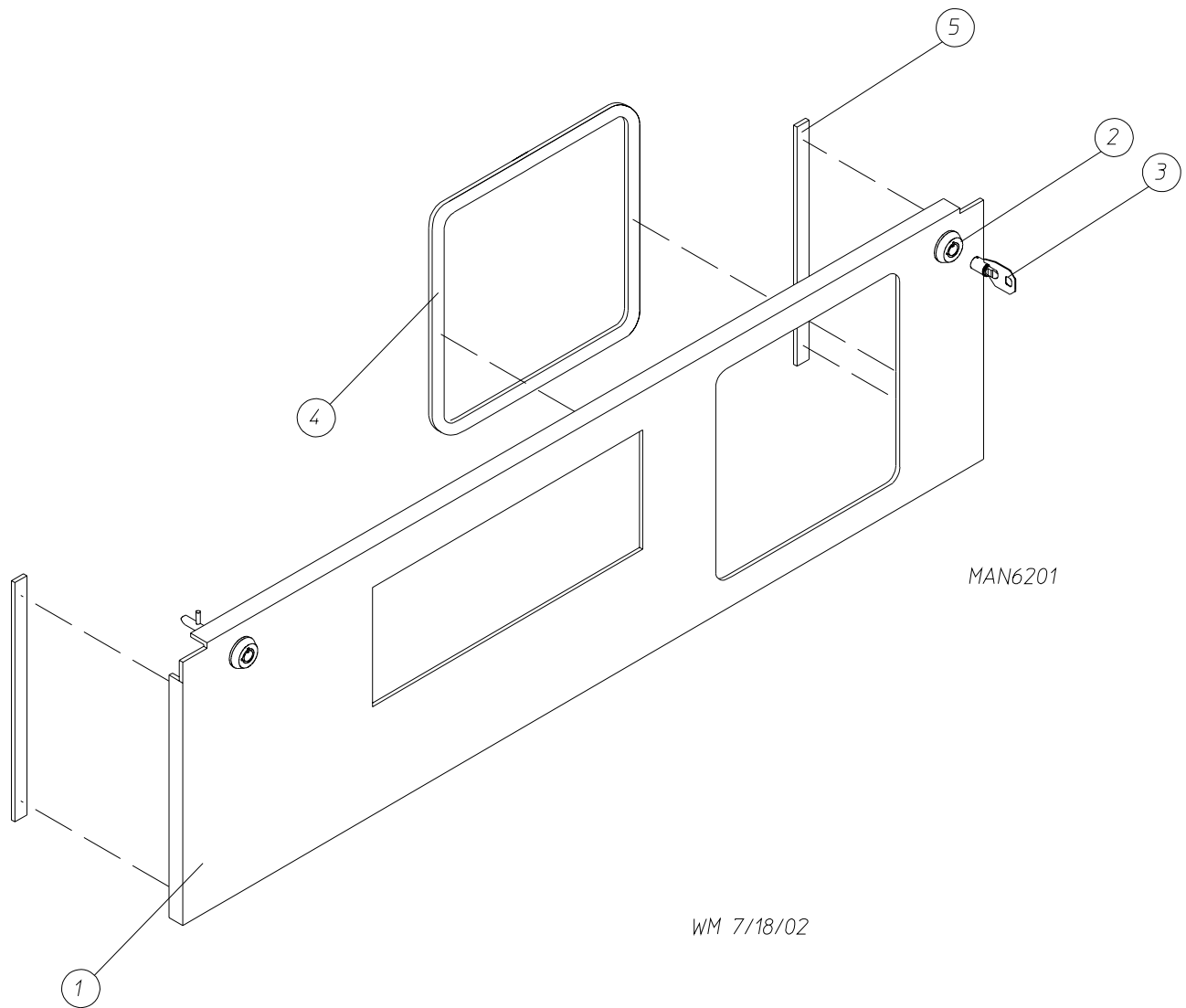
“IMPORTANT NOTE TO PURCHASER”

Information **must be** obtained from your local gas supplier on the instructions to be followed if the user smells gas. These instructions **must be** posted in a prominent location near the dryer.

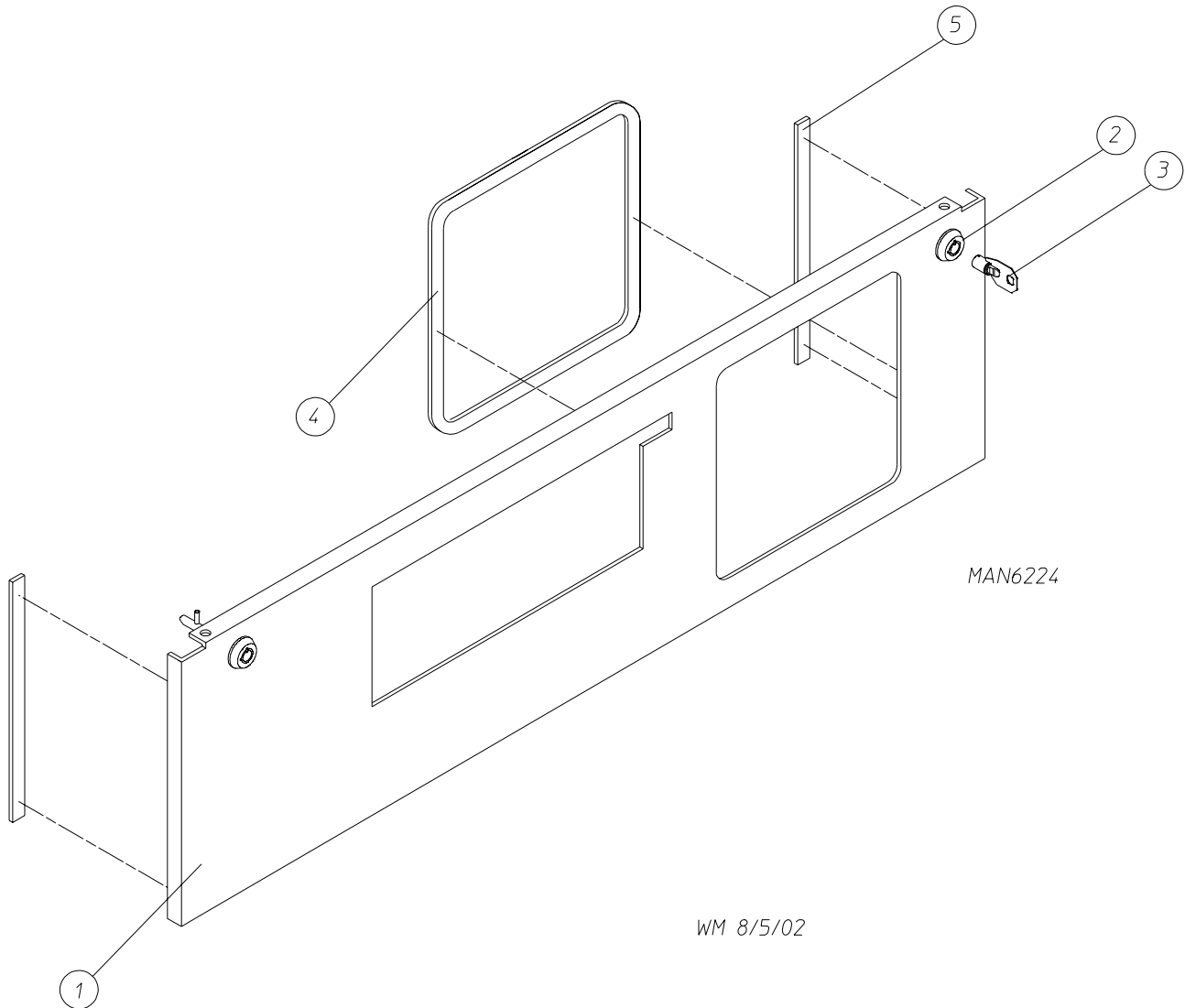
Table of Contents

| | |
|---|--------|
| AD-330 Coin and Debit Card Control Door Assembly | 3 |
| AD-320 Coin and Debit Card Control Door Assembly | 4 |
| AD-330 OPL Control Door Assembly | 5 |
| AD-320 OPL Control Door Assembly | 6 |
| AD-330 Lint Door Assembly | 7 |
| AD-320 Lint Door Assembly | 8 |
| AD-330 Lint Drawer (Basket) Assembly | 9 |
| AD-320 Lint Drawer (Basket) Assembly | 10 |
| AD-330 Locking Lint Drawer (Basket) Assembly | 11 |
| AD-320 Locking Lint Drawer (Basket) Assembly | 12 |
| Single Hanke Coin, DMC Control Panel Assembly | |
| For Domestic Single Coin (25¢) Models | 13 |
| Dual Coin, Hanke Control Panel Assembly | 14 |
| OPL Microprocessor (DMC) Control Panel Assembly | 15 |
| Hanke Microprocessor Coin Acceptor Listing | 16 |
| Coin Vault Assembly | 17 |
| DMC Control Box Assembly | 18, 19 |
| AD-330/AD-320 Cold Rolled Steel (CRS) Door Top Front Panel | 20 |
| AD-330/AD-320 Cold Rolled Steel (CRS) Door Bottom Front Panel | 21 |
| Main Door Cold Rolled Steel (CRS) Assembly | 22 |
| Main Door Switch Assembly For Cold Rolled Steel (CRS) Type Door | 23 |
| AD-330 Basket (Tumbler)/Support Assemblies | 24 |
| AD-320 Basket (Tumbler)/Support Assemblies | 25 |
| Basket (Tumbler) Brush Assembly | 26 |
| Temperature Sensor Probe Assembly | 27 |
| Basket (Tumbler) Bearing Assembly | 28, 29 |

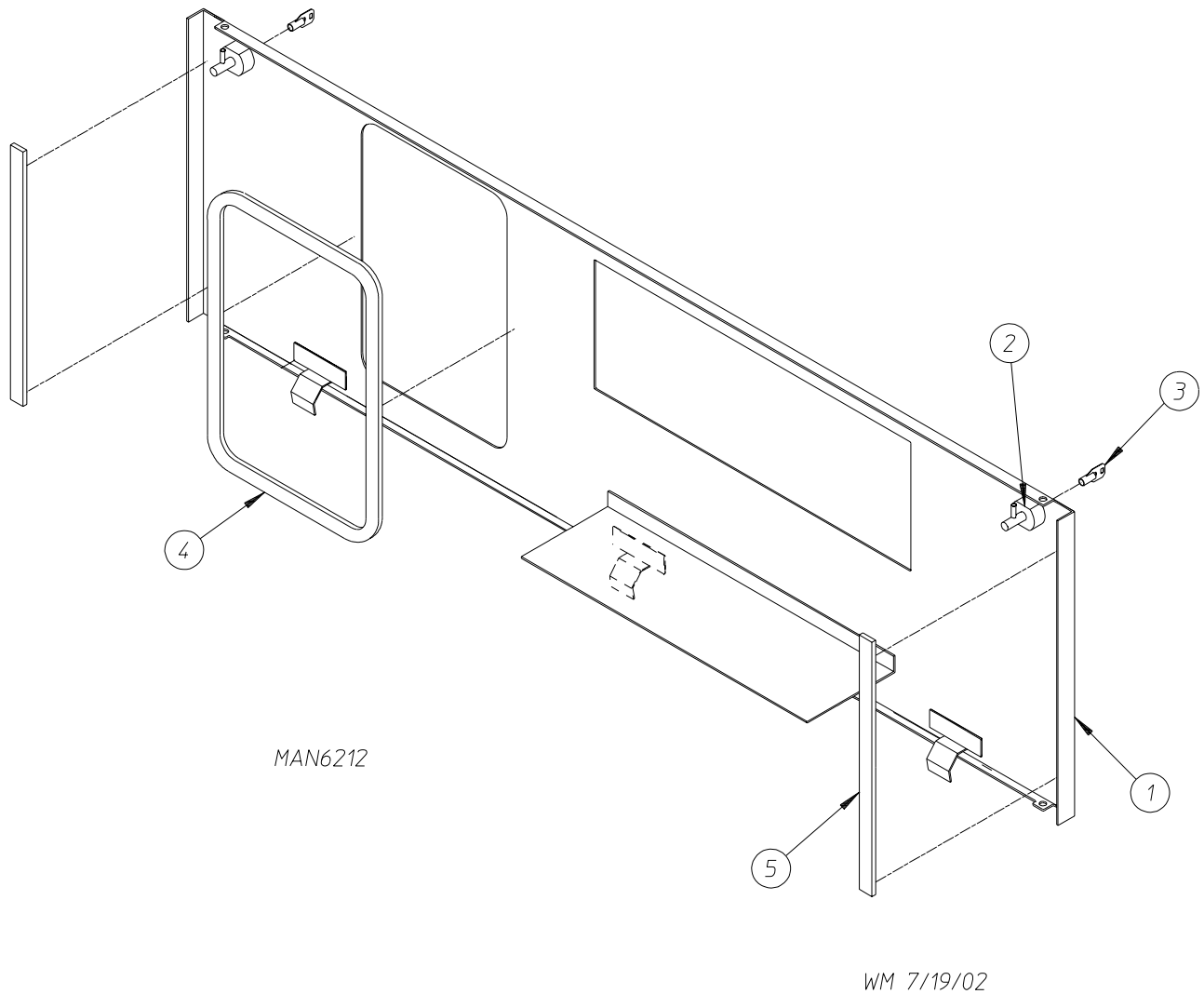
| | |
|--|--------|
| AD-330 Lint Drawer (Basket) Switch Assembly | 30 |
| AD-320 Lint Drawer (Basket) Switch Assembly | 31 |
| Totally Enclosed, Non-Vent (T.E.N.V.) Motor/Idler Assemblies | 32, 33 |
| AD-330 Gas Train Assembly | 34, 35 |
| AD-320 Gas Train Assembly | 36, 37 |
| Electric Oven Assembly | 38, 39 |
| Burner Box/Piping Assemblies | 40 |
| ADS-330/ADS-320 Steam Damper Assembly | 41 |
| Sail Switch Assembly | 42 |
| Back Guard Assemblies | 43 |
| Optional Gas Piping and Exhaust Ducting Kits | 44 |
| 12-Rib 95" (J) Poly Belt Arrangement | 45 |
| Bottom Exhaust Duct Assembly and Cabinet Hi-Limit | 46 |
| Electric Oven Component Chart | 47 |
| Step Down Transformer Usage Listing | 48 |
| Additional Parts Available | 49 |



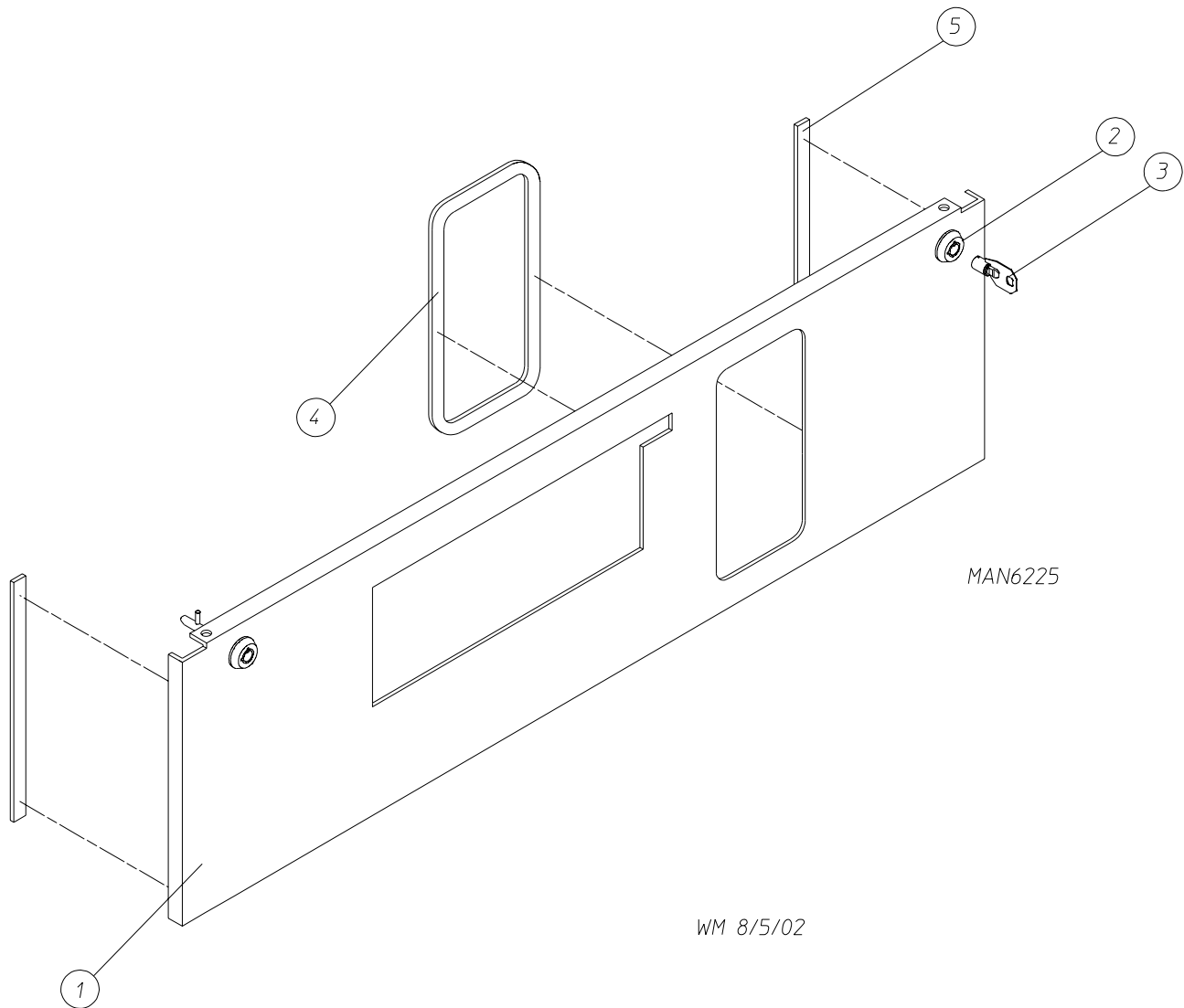
| <u>Illus. No.</u> | <u>Part No.</u> | <u>Qty.</u> | <u>Description</u> |
|-------------------|-----------------|-------------|--|
| 1 | 883394 | 1 | AD-330 White Coin Control Door Assembly Less Locks (includes illus. nos. 1, 4, and 5) |
| | 883396 | 1 | AD-330 Ivory Coin Control Door Assembly Less Locks (includes illus. nos. 1, 4, and 5) |
| | 883395 | 1 | AD-330 Coral Blue Coin Control Door Assembly Less Locks (includes illus. nos. 1, 4, and 5) |
| | 883420 | 1 | AD-330 Stainless Steel Coin Control Door Assembly Less Locks (includes illus. nos. 1, 4, and 5) |
| 2 | 160040 | 2 | ACE® Lock Assembly (no key) |
| 3 | 160140 | - | Key ONLY (key number XX4451) |
| 4 | 117605 | 2 | Neoprene Gasket Tape (sold by the foot) |
| 5 | 117603 | 2 | Neoprene Gasket Tape (sold by the foot) |



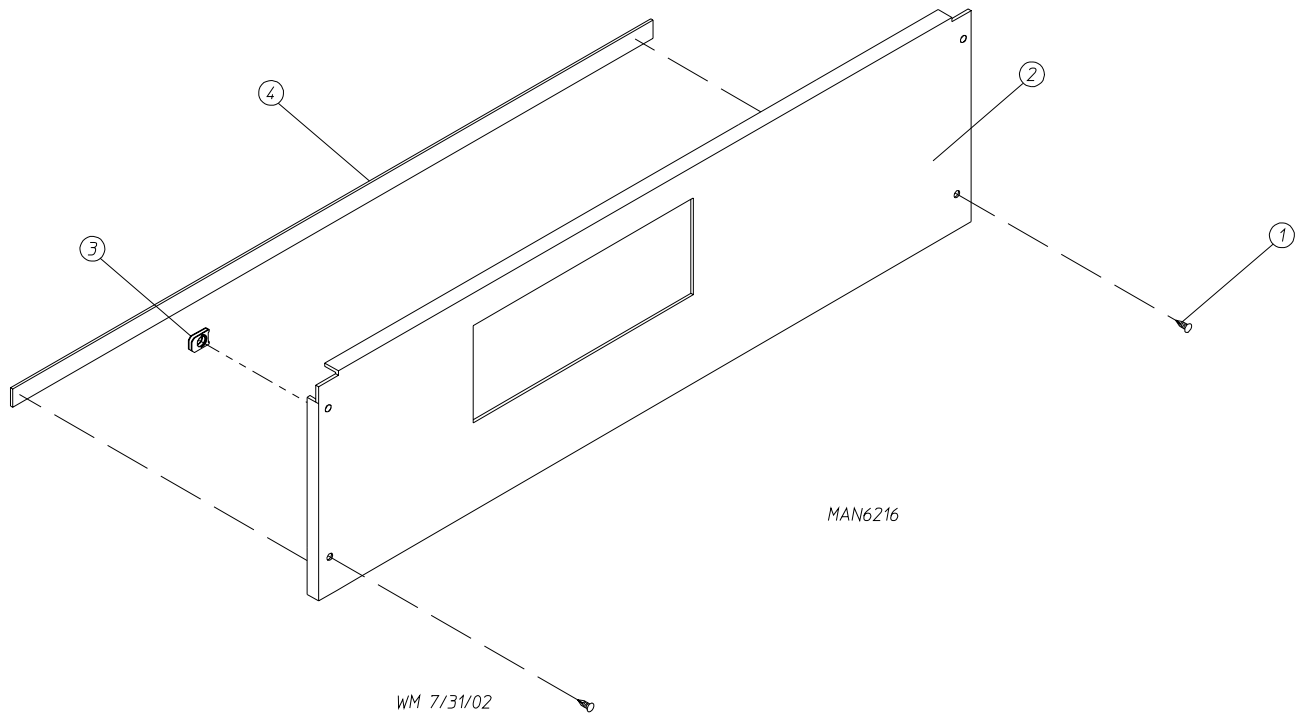
| <u>Illus. No.</u> | <u>Part No.</u> | <u>Qty.</u> | <u>Description</u> |
|-------------------|-----------------|-------------|--|
| 1 | 883441 | 1 | AD-320 White Coin and Debit Card Control Door Assembly Less Locks (includes illus. nos. 1, 4, and 5) |
| | 883442 | 1 | AD-320 Ivory Coin and Debit Card Control Door Assembly Less Locks (includes illus. nos. 1, 4, and 5) |
| | 883443 | 1 | AD-320 Coral Blue Coin and Debit Card Control Door Assembly Less Locks (includes illus. nos. 1, 4, and 5) |
| | 883444 | 1 | AD-320 Stainless Steel Coin and Debit Card Control Door Assembly Less Locks (includes illus. nos. 1, 4, and 5) |
| 2 | 160040 | 2 | ACE® Lock Assembly (no key) |
| 3 | 160140 | - | Key ONLY (key number XX4451) |
| 4 | 117605 | 2 | Neoprene Gasket Tape (sold by the foot) |
| 5 | 117603 | 2 | Neoprene Gasket Tape (sold by the foot) |



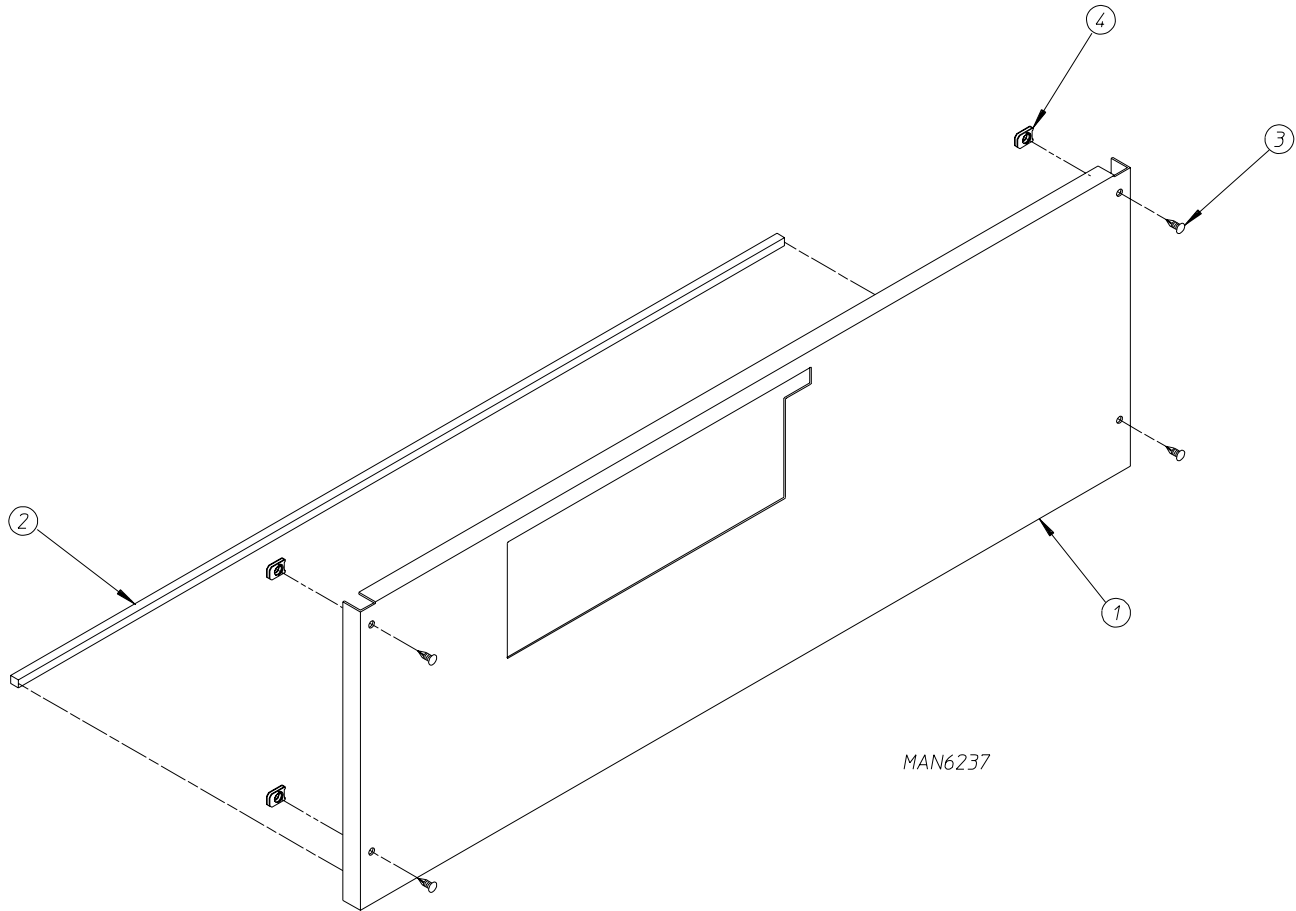
| <u>Illus. No.</u> | <u>Part No.</u> | <u>Qty.</u> | <u>Description</u> |
|-------------------|-----------------|-------------|---|
| 1 | 883408 | 1 | AD-330 White OPL Control Door Assembly (includes illus. nos. 1, 4, and 5) |
| | 883410 | 1 | AD-330 Ivory OPL Control Door Assembly (includes illus. nos. 1, 4, and 5) |
| | 883409 | 1 | AD-330 Coral Blue OPL Control Door Assembly (includes illus. nos. 1, 4, and 5) |
| 2 | 160040 | 2 | ACE® Lock Assembly (no key) |
| 3 | 160140 | - | Key ONLY (key number XX4451) |
| 4 | 117605 | 2 | Neoprene Gasket Tape (sold by the foot) |
| 5 | 117603 | 2 | Neoprene Gasket Tape (sold by the foot) |



| <u>Illus. No.</u> | <u>Part No.</u> | <u>Qty.</u> | <u>Description</u> |
|-------------------|-----------------|-------------|--|
| 1 | 883445 | 1 | AD-320 White OPL Control Door Assembly Less Locks (includes illus. nos. 1, 4, and 5) |
| | 883447 | 1 | AD-320 Ivory OPL Control Door Assembly Less Locks (includes illus. nos. 1, 4, and 5) |
| | 883446 | 1 | AD-320 Coral Blue OPL Control Door Assembly Less Locks (includes illus. nos. 1, 4, and 5) |
| 2 | 160040 | 2 | ACE® Lock Assembly (no key) |
| 3 | 160140 | - | Key ONLY (key number XX4451) |
| 4 | 117605 | 2 | Neoprene Gasket Tape (sold by the foot) |
| 5 | 117603 | 2 | Neoprene Gasket Tape (sold by the foot) |



| <u>Illus. No.</u> | <u>Part No.</u> | <u>Qty.</u> | <u>Description</u> |
|-------------------|-----------------|-------------|--|
| 1 | 150314 | 4 | #10-32 x 1/2" TORX + BTN Head Machine Screw |
| 2 | 883432 | 1 | AD-330 White Lint Door Assembly (includes illus. nos. 2 and 4) |
| | 883431 | 1 | AD-330 Ivory Lint Door Assembly (includes illus. nos. 2 and 4) |
| | 883433 | 1 | AD-330 Coral Blue Lint Door Assembly (includes illus. nos. 2 and 4) |
| 3 | 154011 | 4 | #10-32 Multi-Thread U-Nut |
| 4 | 117604 | 3 | Neoprene Gasket Tape (sold by the foot) |

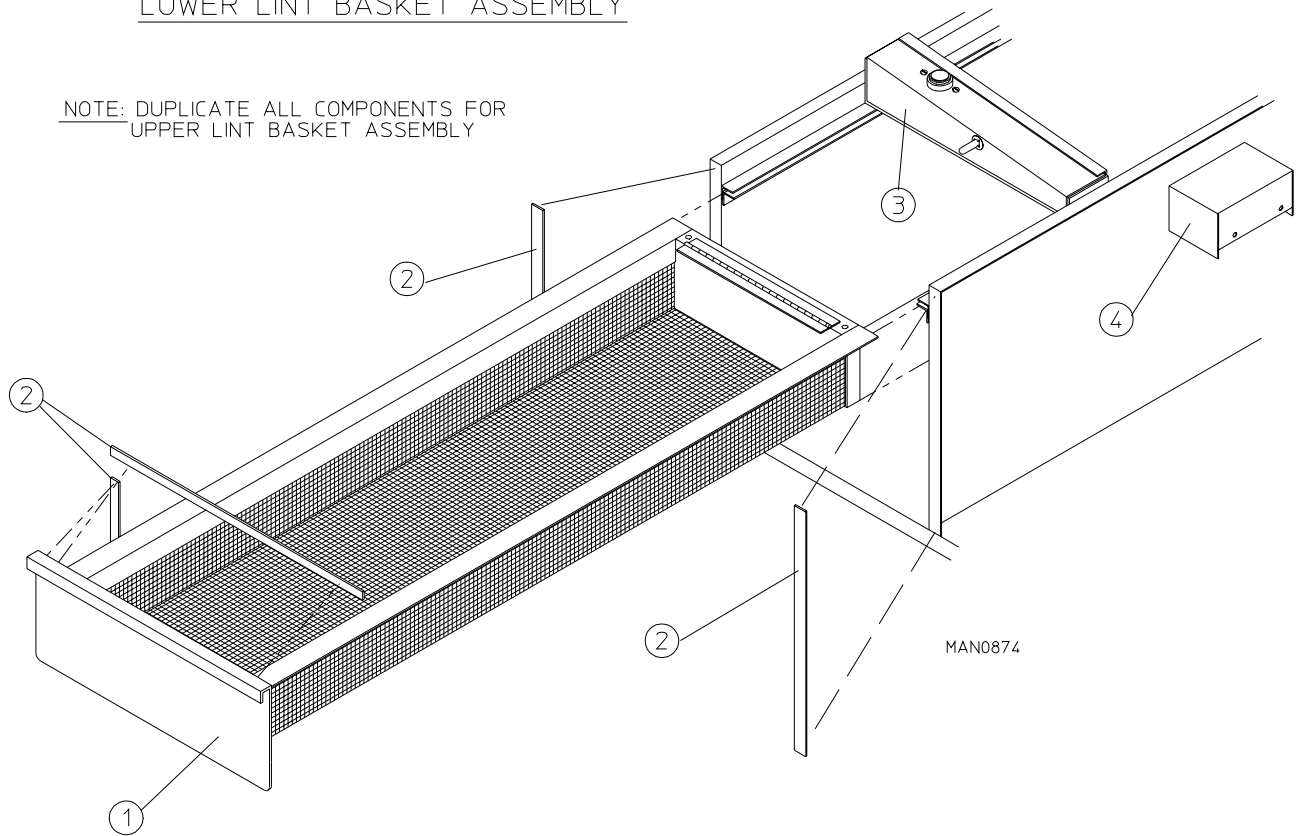


WM 8/7/02

| <u>Illus. No.</u> | <u>Part No.</u> | <u>Qty.</u> | <u>Description</u> |
|-------------------|-----------------|-------------|--|
| 1 | 883463 | 1 | AD-320 White Lint Door Assembly (includes illus. nos. 1 and 2) |
| | 883464 | 1 | AD-320 Ivory Lint Door Assembly (includes illus. nos. 1 and 2) |
| | 883465 | 1 | AD-320 Coral Blue Lint Door Assembly (includes illus. nos. 1 and 2) |
| 2 | 117604 | 3 | Neoprene Gasket Tape (sold by the foot) |
| 3 | 150314 | 4 | #10-32 x 1/2" TORX + BTN Head Machine Screw |
| 4 | 154011 | 4 | #10-32 Multi-Thread U-Nut |

LOWER LINT BASKET ASSEMBLY

NOTE: DUPLICATE ALL COMPONENTS FOR
UPPER LINT BASKET ASSEMBLY

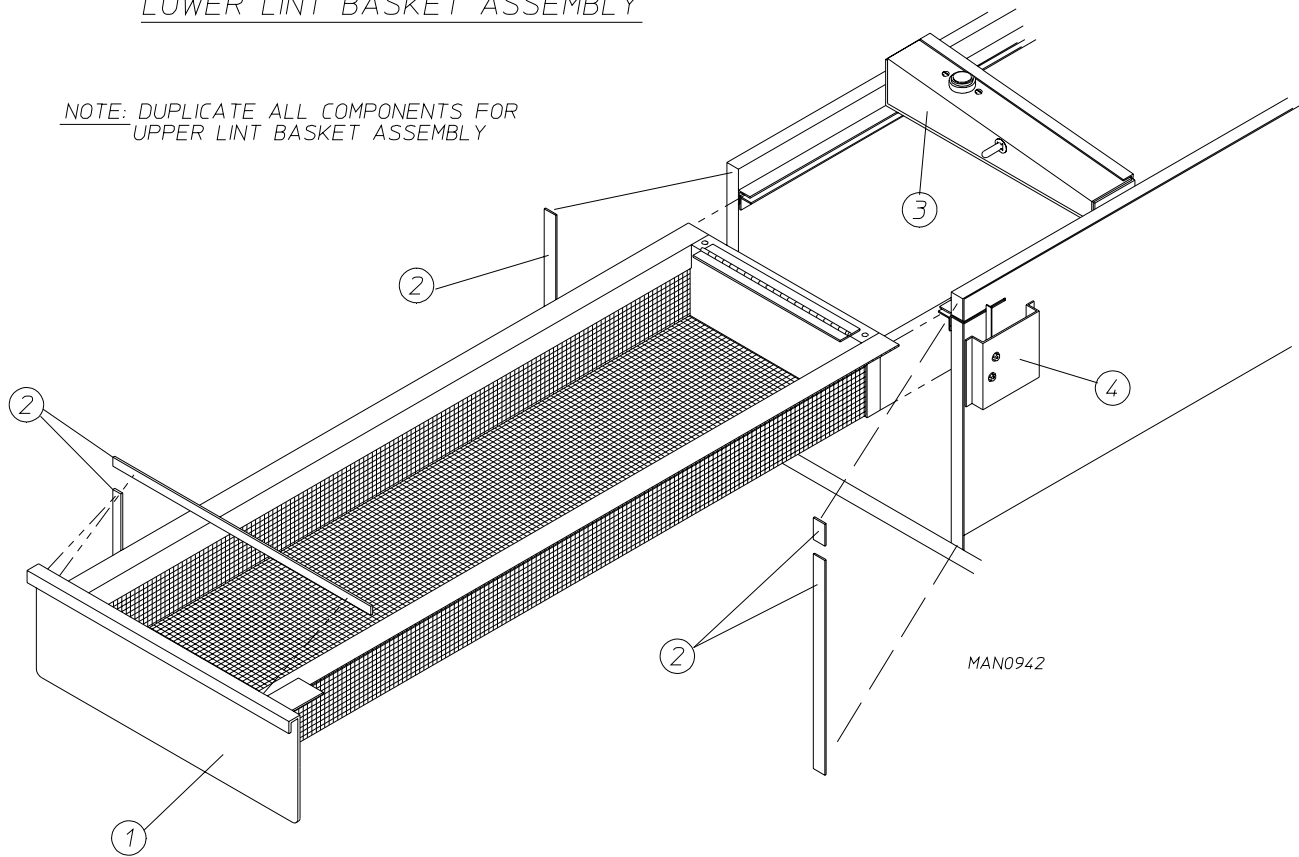


| <u>Illus. No.</u> | <u>Part No.</u> | <u>Qty.</u> | <u>Description</u> |
|-------------------|-----------------|-------------|--|
| 1 | 883401 | 1 | AD-330 White Lint Drawer (basket) Assembly Complete (includes illus. nos. 1 and 2) |
| | 883402 | 1 | AD-330 Ivory Lint Drawer (basket) Assembly Complete (includes illus. nos. 1 and 2) |
| | 883403 | 1 | AD-330 Coral Blue Lint Drawer (basket) Assembly Complete (includes illus. nos. 1 and 2) |
| | 883404 | 1 | AD-330 Black Lint Drawer (basket) Assembly Complete For Stainless Steel Models ONLY |
| 2 | 117604 | 3 | Neoprene Sponge Tape (sold by the foot) |
| 3 | ----- | 1 | Temperature Sensor Bracket (refer to Temperature Sensor Probe Assembly on page 27) |
| 4 | ----- | 1 | Lint Drawer (basket) Switch (refer to AD-330 Lint Drawer [Basket] Switch Assembly on page 30) |

IMPORTANT: For models with optional lock refer to **AD-330 Locking Lint Drawer (Basket) Assembly** on **page 11**.

LOWER LINT BASKET ASSEMBLY

NOTE: DUPLICATE ALL COMPONENTS FOR
UPPER LINT BASKET ASSEMBLY

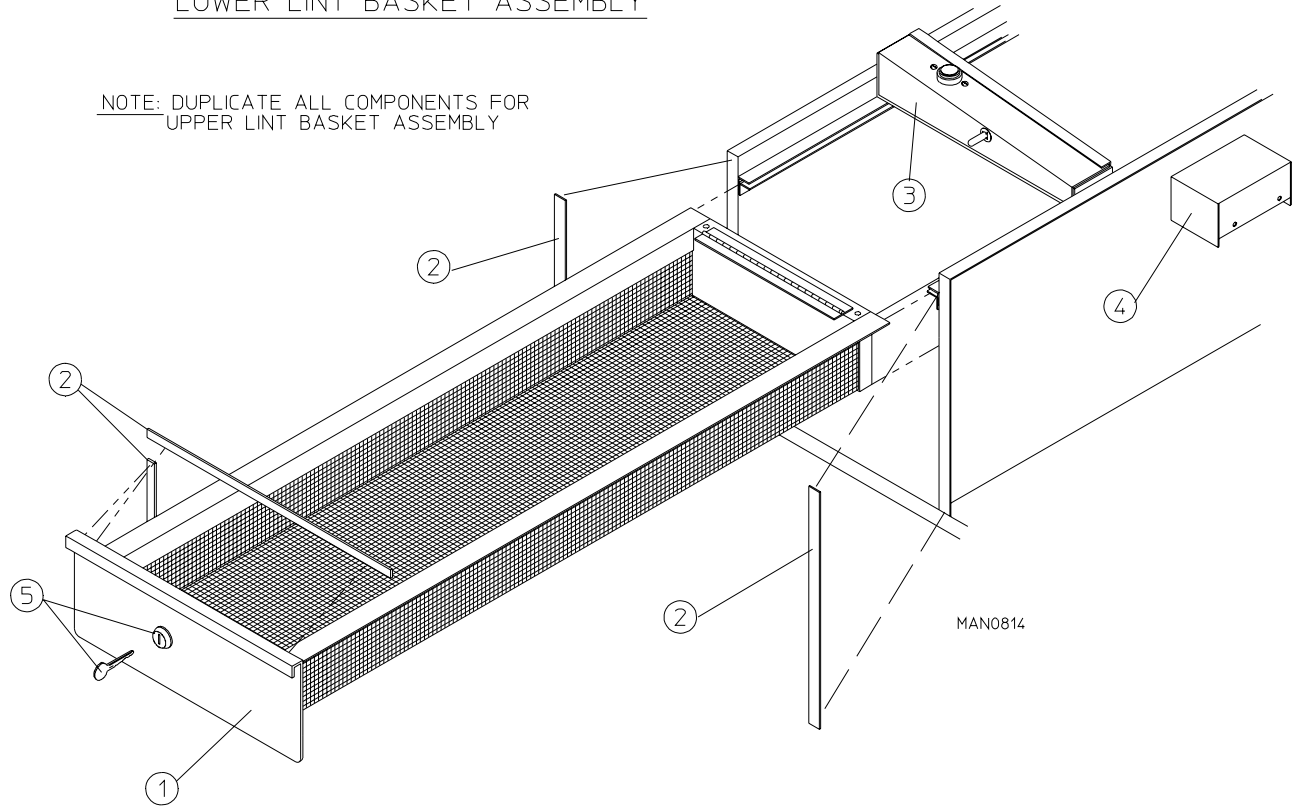


| <u>Illus. No.</u> | <u>Part No.</u> | <u>Qty.</u> | <u>Description</u> |
|-------------------|-----------------|-------------|---|
| 1 | 883455 | 1 | AD-320 White Lint Drawer (basket) Assembly Complete (includes illus. nos. 1 and 2) |
| | 883457 | 1 | AD-320 Ivory Lint Drawer (basket) Assembly Complete (includes illus. nos. 1 and 2) |
| | 883456 | 1 | AD-320 Coral Blue Lint Drawer (basket) Assembly Complete (includes illus. nos. 1 and 2) |
| | 883458 | 1 | AD-320 Black Lint Drawer (basket) Assembly Complete For Stainless Steel Models ONLY |
| 2 | 117604 | 1 | Neoprene Sponge Tape (sold by the foot) |
| 3 | ----- | 1 | Temperature Sensor Bracket (refer to Temperature Sensor Probe Assembly on page 27) |
| 4 | ----- | 1 | Lint Drawer (basket) Switch (refer to AD-320 Lint Drawer [Basket] Switch Assembly on page 31) |

IMPORTANT: For models with optional lock refer to **AD-320 Locking Lint Drawer (Basket) Assembly** on **page 12**.

LOWER LINT BASKET ASSEMBLY

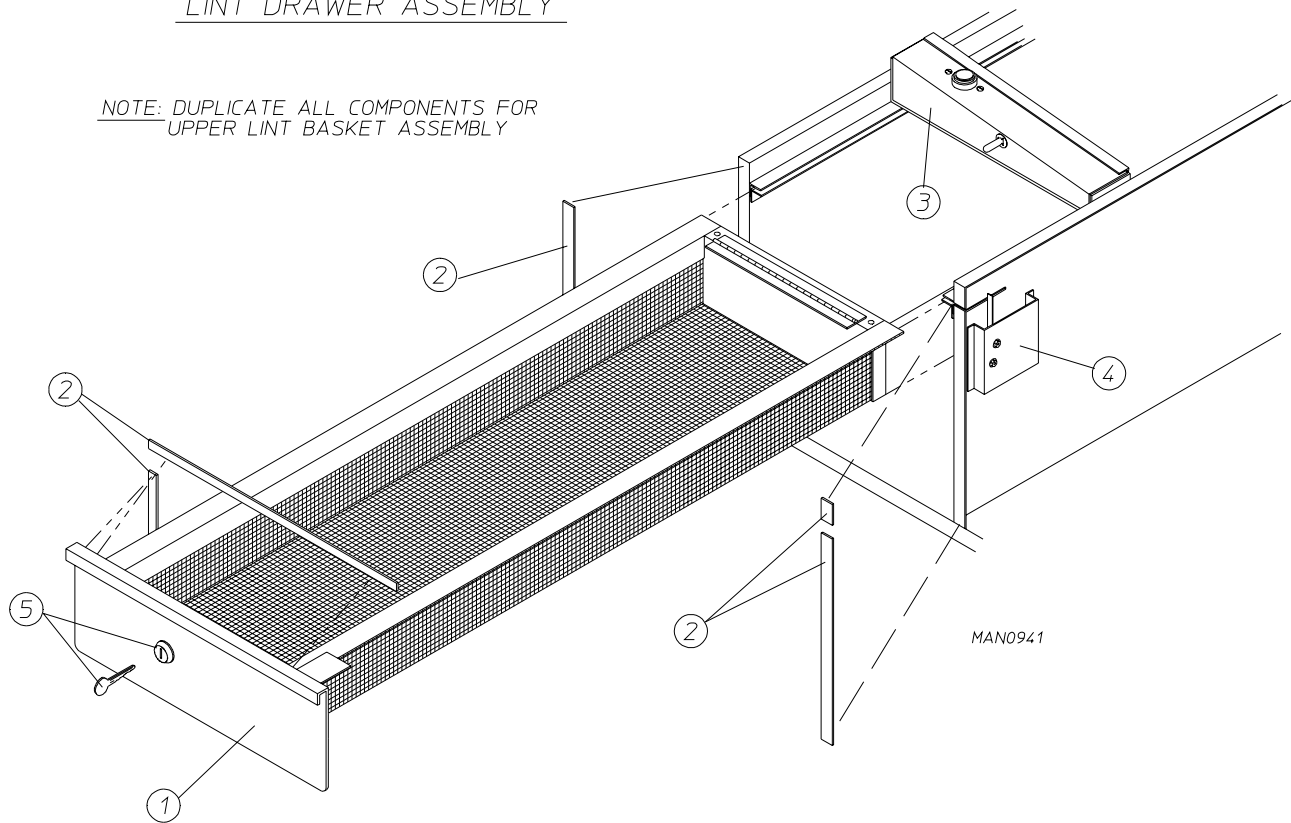
NOTE: DUPLICATE ALL COMPONENTS FOR UPPER LINT BASKET ASSEMBLY



| <u>Illus. No.</u> | <u>Part No.</u> | <u>Qty.</u> | <u>Description</u> |
|-------------------|-----------------|-------------|--|
| 1 | 883397 | 1 | AD-330 White Locking Lint Drawer (basket) Assembly Less Lock and Key (includes illus. nos. 1 and 2) |
| | 883398 | 1 | AD-330 Ivory Locking Lint Drawer (basket) Assembly Less Lock and Key (includes illus. nos. 1 and 2) |
| | 883399 | 1 | AD-330 Coral Blue Locking Lint Drawer (basket) Assembly Less Lock and Key (includes illus. nos. 1 and 2) |
| | 883400 | 1 | AD-330 Black Locking Lint Drawer (basket) Assembly Less Lock and Key for Stainless Steel Models ONLY |
| 2 | 117604 | 3 | Neoprene Sponge Tape (sold by the foot) |
| 3 | ----- | 1 | Temperature Sensor Bracket (refer to Temperature Sensor Probe Assembly on page 27) |
| 4 | ----- | 1 | Lint Drawer (basket) Switch (refer to AD-330 Lint Drawer [Basket] Switch Assembly on page 30) |
| 5 | 160038 | 1 | Lint Drawer Lock Assembly (keyed to number XX4451) |
| | 160140 | 1 | Key ONLY (key number XX4451) |
| | 160034 | 1 | Cam ONLY |

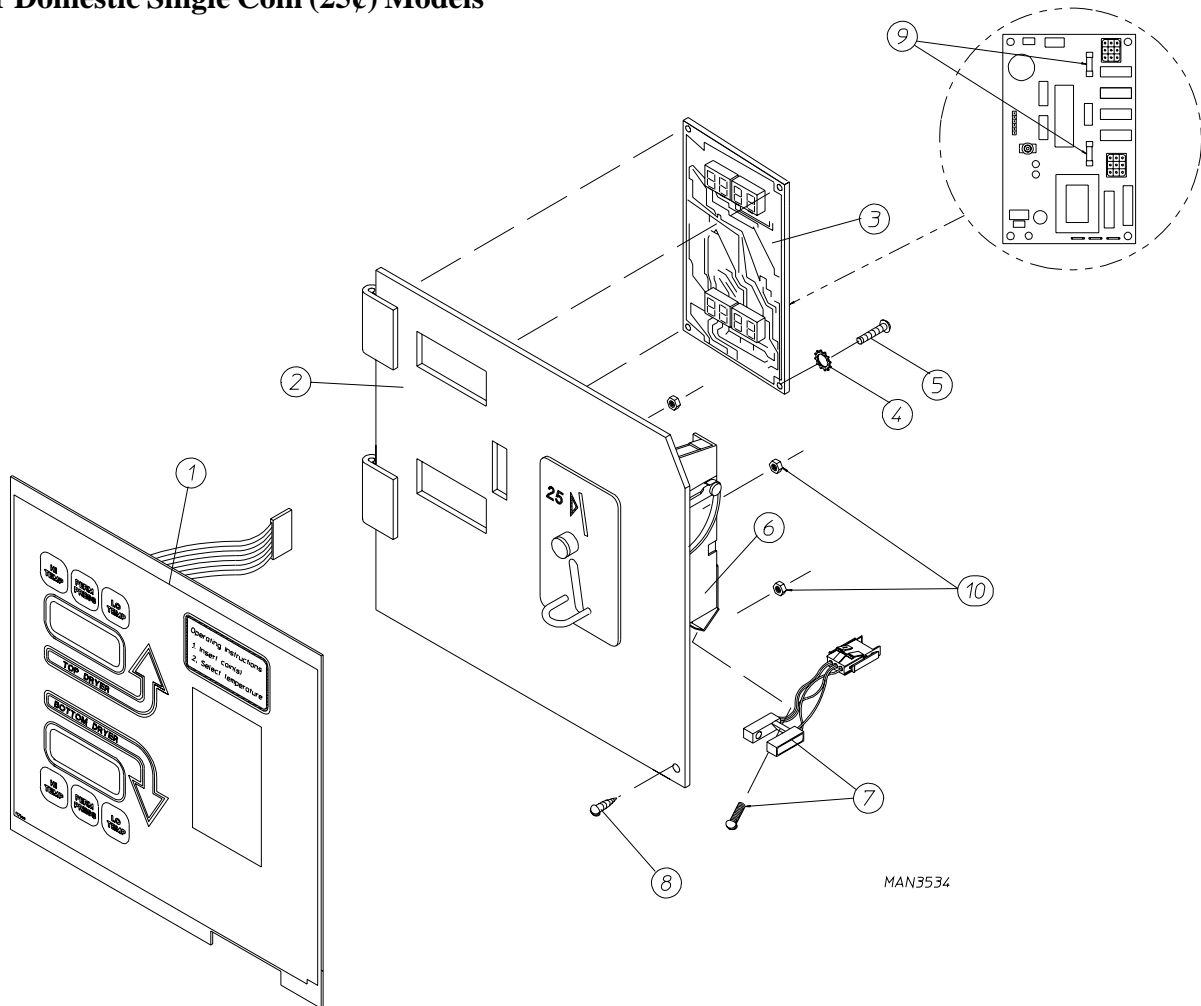
LINT DRAWER ASSEMBLY

NOTE: DUPLICATE ALL COMPONENTS FOR
UPPER LINT BASKET ASSEMBLY

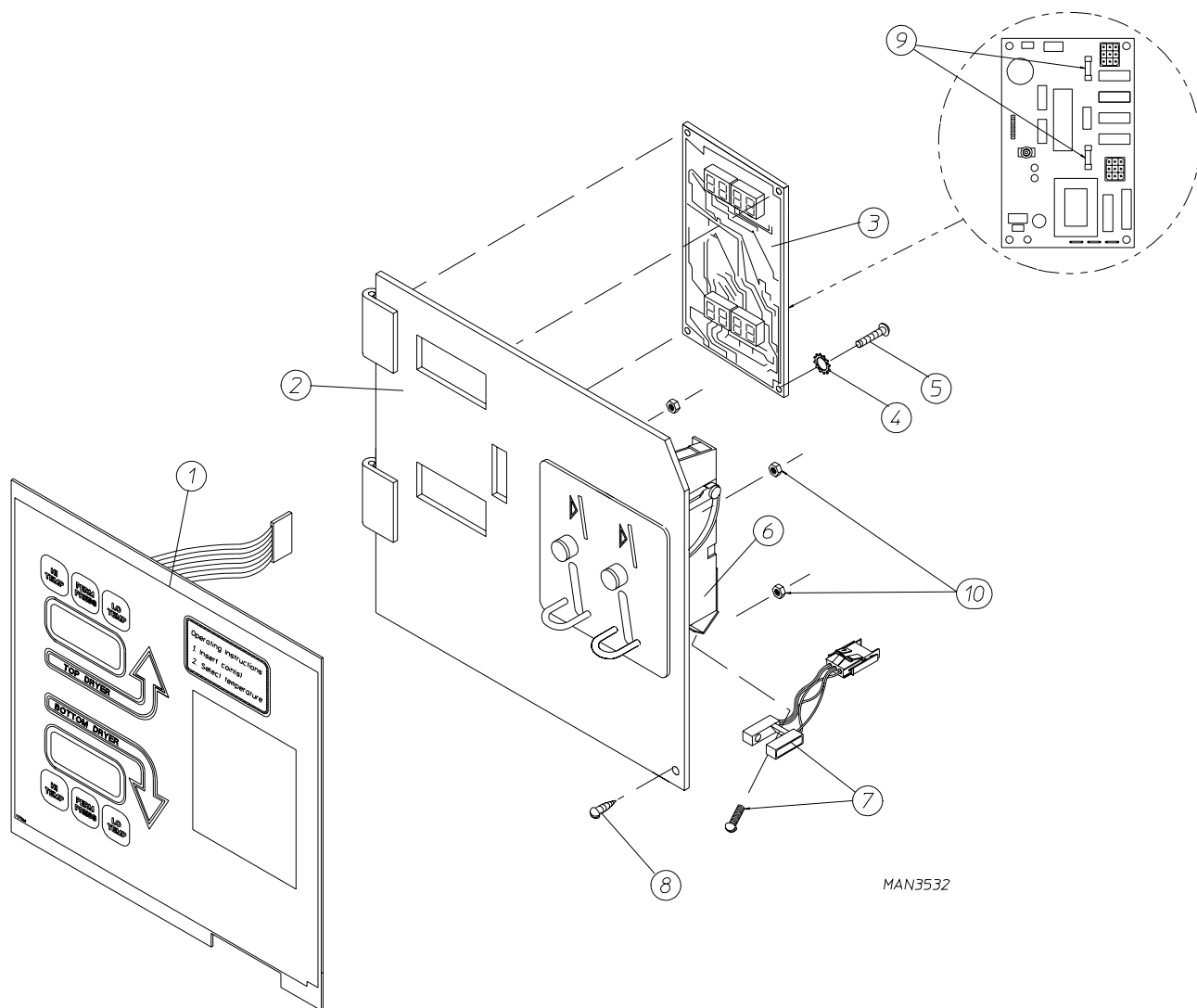


| <u>Illus. No.</u> | <u>Part No.</u> | <u>Qty.</u> | <u>Description</u> |
|-------------------|-----------------|-------------|--|
| 1 | 883459 | 1 | AD-320 White Locking Lint Drawer (basket) Assembly Complete Less Lock (includes illus. nos. 1 and 2) |
| | 883460 | 1 | AD-320 Ivory Locking Lint Drawer (basket) Assembly Complete Less Lock (includes illus. nos. 1 and 2) |
| | 883461 | 1 | AD-320 Coral Blue Locking Lint Drawer (basket) Assembly Complete Less Lock (includes illus. nos. 1 and 2) |
| | 883462 | 1 | AD-320 Black Locking Lint Drawer (basket) Assembly Complete Less Lock for Stainless Steel Models ONLY |
| 2 | 117604 | 3 | Neoprene Sponge Tape (sold by the foot) |
| 3 | ----- | 1 | Temperature Sensor Bracket (refer to Temperature Sensor Probe Assembly on page 27) |
| 4 | ----- | 1 | Lint Drawer (basket) Switch (refer to AD-320 Lint Drawer [Basket] Switch Assembly on page 31) |
| 5 | 160038 | 1 | Lint Drawer Lock Assembly (keyed to number XX4451) |
| | 160140 | 1 | Key ONLY (key number XX4451) |
| | 160034 | 1 | Cam ONLY |

For Domestic Single Coin (25¢) Models

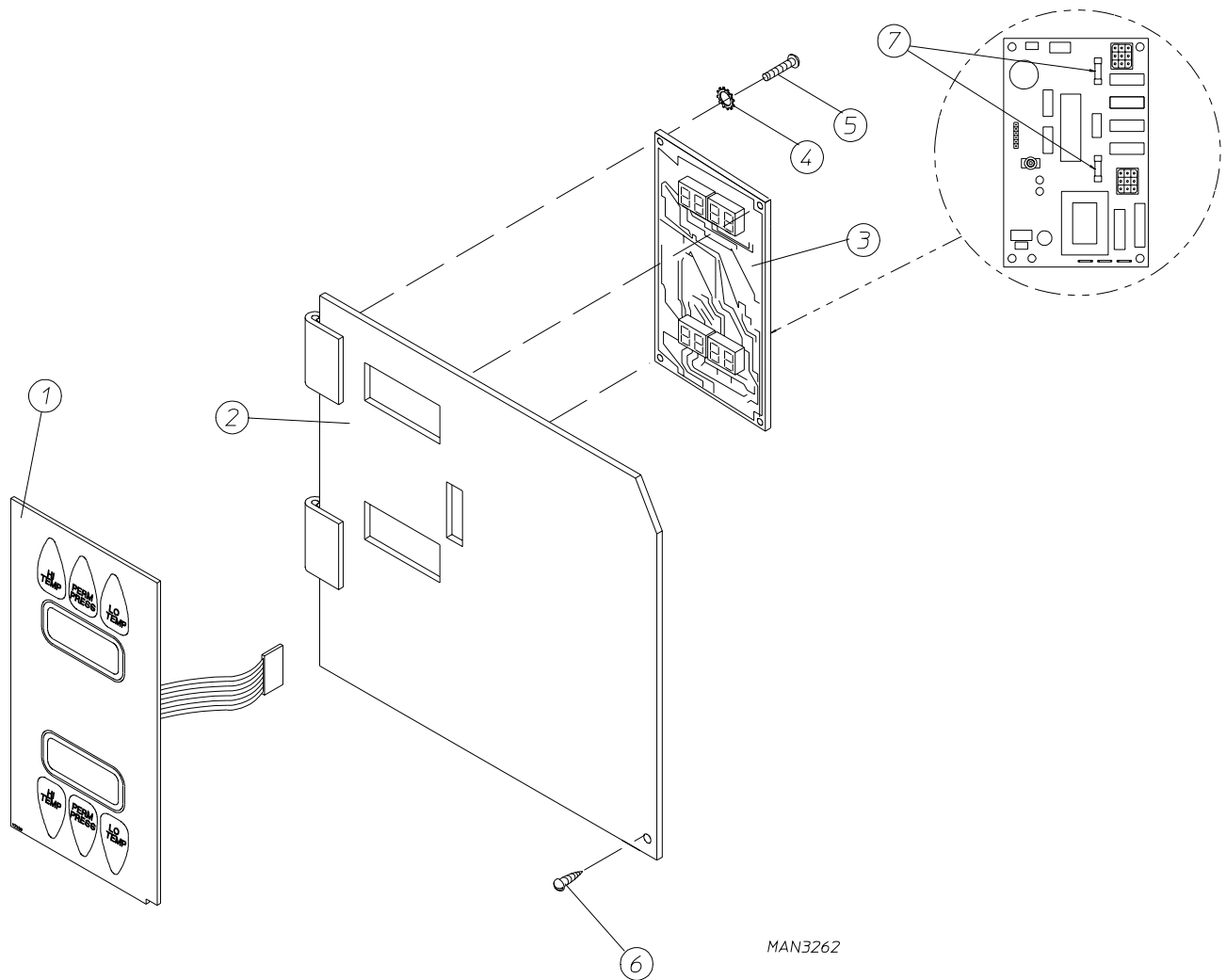


| <u>Illus. No.</u> | <u>Part No.</u> | <u>Qty.</u> | <u>Description</u> |
|-------------------|-----------------|-------------|--|
| 1 | 112566 | 1 | Hanke Single Coin Twin Keyboard (touch pad) Label |
| 2 | 881482 | 1 | Single Coin Control Panel Complete Less Acceptor - 24 VAC (includes illus. nos. 1 through 5, 9, and 10) |
| | 881485 | 1 | Microprocessor Control Panel Complete with Battery Option - 24 VAC (includes illus. nos. 1 through 5, 9, and 10) |
| | 881483 | 1 | Hanke Dual Microprocessor Controller (DMC) Control Panel with Keyboard (touch pad) Label ONLY (includes illus. nos. 1 and 2) |
| 3 | 137234 | 1 | Phase 5 Dual Microprocessor Controller (DMC) ONLY |
| | 824998 | 1 | Phase 5 Battery Clip...Not Illustrated |
| 4 | 153010 | 2 | #6 Star Washer |
| 5 | 150005 | 2 | #6-32 x 1/4" Phillips Round Head Machine Screw |
| 6 | ----- | - | Coin Acceptor with Optic Switch (refer to Hanke Microprocessor Coin Acceptor Listing on page 16) |
| 7 | 881143 | 1 | Hanke Optical Switch ONLY |
| 8 | 150309 | 1 | #10-16 x 1/2" Hex Head TEK Crimpite Screw |
| 9 | 136048 | 2 | 1/8-Amp (Slo-Blow) Fuse |
| 10 | 152102 | 4 | M3 Metric Hex Nut |



MAN3532

| <u>Illus. No.</u> | <u>Part No.</u> | <u>Qty.</u> | <u>Description</u> |
|-------------------|-----------------|-------------|---|
| 1 | 112567 | 1 | Hanke Dual Coin Keyboard (touch pad) Label |
| 2 | 881626 | 1 | Hanke Phase 5 Dual Coin Control Panel Assembly Complete Less Acceptor (includes illus. nos. 1 through 5, 9, and 10) |
| | 881627 | 1 | Hanke Dual Coin Control Panel with Label ONLY (includes illus. nos. 1 and 2) |
| | 881628 | 1 | Hanke Dual Coin Control Panel ONLY |
| 3 | 137234 | 1 | Phase 5 Dual Microprocessor Controller (DMC) ONLY |
| | 824998 | 1 | Phase 5 Battery Clip...Not Illustrated |
| 4 | 153010 | 2 | #6 Star Washer |
| 5 | 150005 | 2 | #6-32 x 1/4" Phillips Round Head Machine Screw |
| 6 | ----- | - | Coin Acceptor with Optic Switch (refer to Hanke Microprocessor Coin Acceptor Listing on page 16) |
| 7 | 881143 | 1 | Hanke Optical Switch ONLY |
| 8 | 150309 | 1 | #10-16 x 1/2" Hex Head TEK Crimpite Screw |
| 9 | 136048 | 2 | 1/8-Amp (Slo-Blo) Fuse |
| 10 | 152102 | 4 | M3 Metric Hex Nut |



MAN3262

| <u>Illus. No.</u> | <u>Part No.</u> | <u>Qty.</u> | <u>Description</u> |
|-------------------|-----------------|-------------|--|
| 1 | 112559 | 1 | OPL Keyboard (touch pad) Label ONLY |
| 2 | 824009 | 1 | OPL Control Panel Assembly Complete - 24 VAC (includes illus. nos. 1 through 5 and 7) |
| | 824011 | 1 | OPL Control Panel Assembly Complete with Battery Option - 24 VAC (includes illus. nos. 1 through 5 and 7) |
| | 882232 | 1 | OPL Control Panel ONLY |
| 3 | 137234 | 1 | Phase 5 Dual Microprocessor Controller (DMC) ONLY |
| | 824998 | 1 | Phase 5 Battery Clip...Not Illustrated |
| 4 | 153010 | 2 | #6 Star Washer |
| 5 | 150005 | 2 | #6-32 x 1/4" Phillips Round Head Machine Screw |
| 6 | 150309 | 1 | #10-16 x 1/2" Hex Head TEK Crimptite Screw |
| 7 | 136048 | 2 | 1/8-Amp (Slo-Blo) Fuse |

NOTE: Coin acceptors listed include optical switch(es).

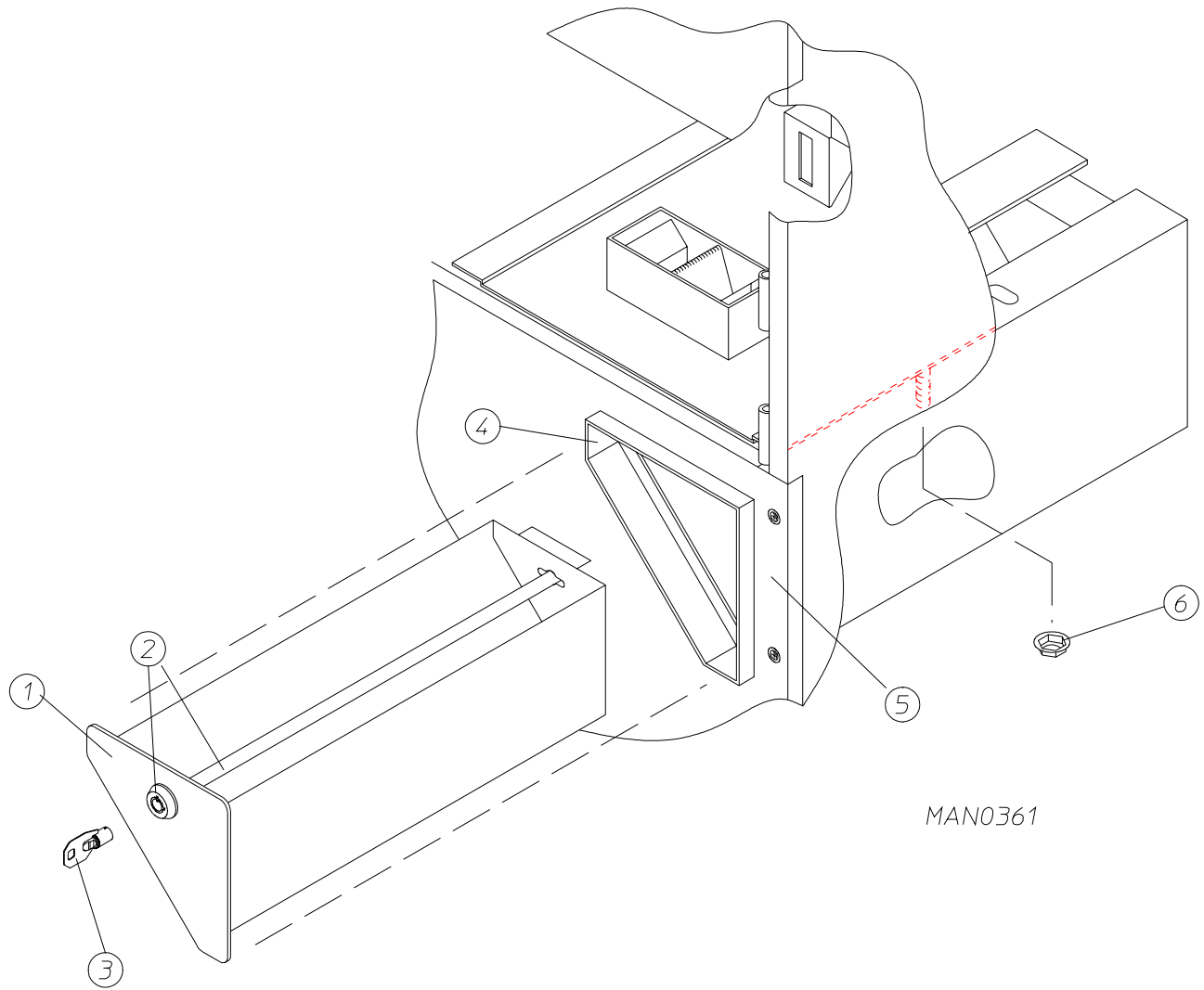
Single Coin*

| <u>ADC Part No.</u> | <u>Nation</u> | <u>Description</u> |
|---------------------|---------------|---|
| 881163 | United States | 25¢ Optic Coin Acceptor |
| 881450 | Canada | 25¢ Canadian Optic Coin Acceptor |
| 881451 | ----- | 0.880 x 0.062 Token Optic Coin Acceptor |
| 881636 | ----- | 0.800 x 0.07 Token Optic Coin Acceptor |
| 881546 | Japan | 100 Yen Optic Coin Acceptor |

Dual Coin*

| <u>ADC Part No.</u> | <u>Nation</u> | <u>Description</u> |
|---------------------|---------------|---|
| 881609 | France | 2/5 French Franc Dual Optic Coin Acceptor |
| 881610 | Belgium | 5/20 Belgian Franc Dual Optic Coin Acceptor |

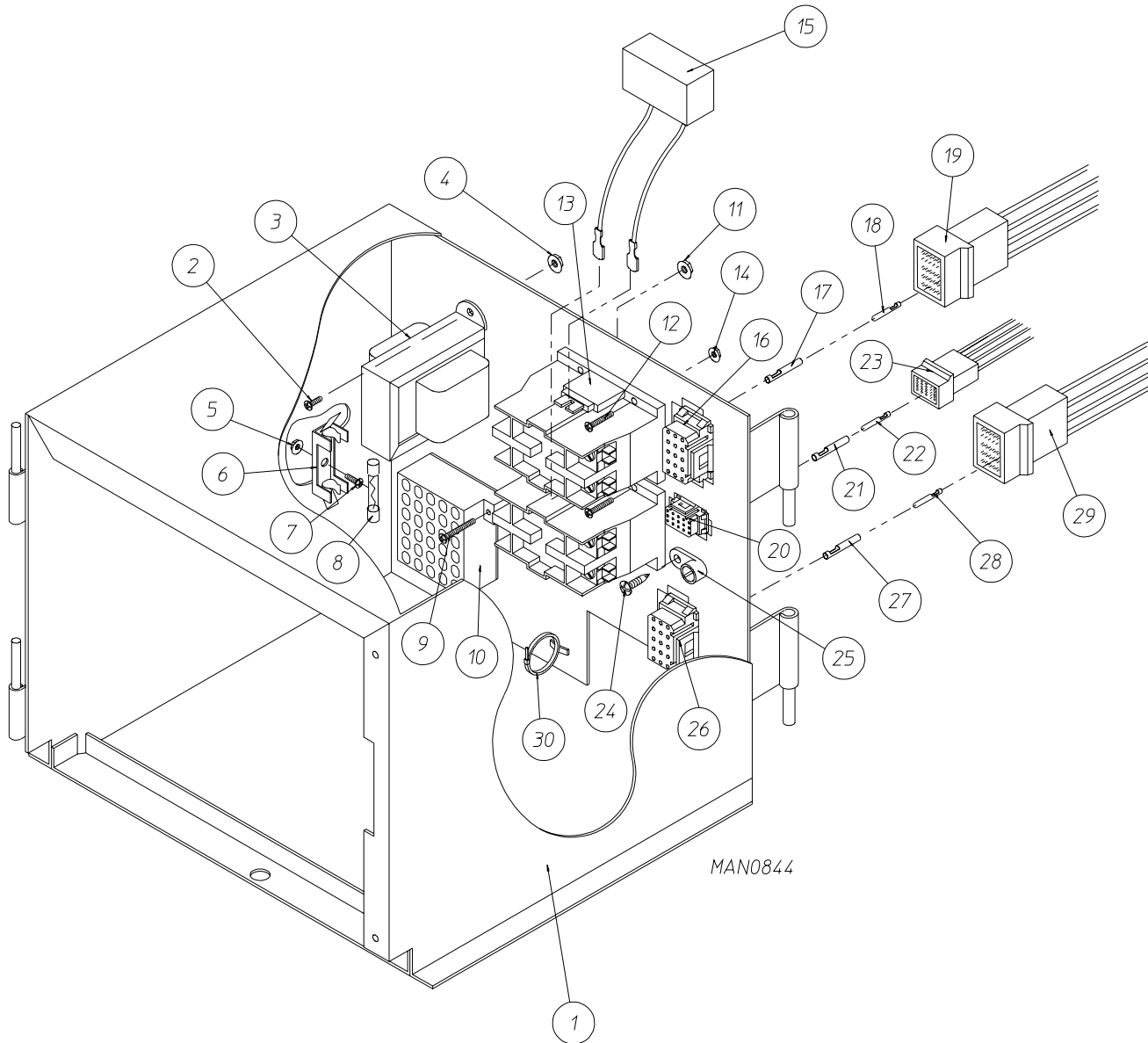
* Consult factory for coin acceptors not listed.



MAN0361

| Illus. No. | Part No. | Qty. | Description |
|------------|----------|------|---|
| 1 | 883347 | 1 | AD-330/AD-320 Coin Box Assembly with Black Faceplate Less Lock |
| | 883348 | 1 | AD-330/AD-320 Black Coin Box Faceplate ONLY |
| | 883393 | 1 | AD-330/AD-320 Black Debit Card/OPL Faceplate |
| 2* | 160036 | 1 | ACE® Lock Assembly with Key |
| 3* | 160136 | 1 | ACE® Key ONLY |
| 4 | 883382 | 1 | AD-330/AD-320 Coin Vault Assembly ONLY |
| 5 | ----- | 1 | AD-330/AD-320 Bottom Front Panel Assembly Complete with Hinge (refer to AD-330/AD-320 Cold Rolled Steel [CRS] Door Bottom Front Panel on page 21) |
| 6 | 152014 | 4 | 1/4-20 Free Spin Wash Nut |

* Specify key number when ordering.

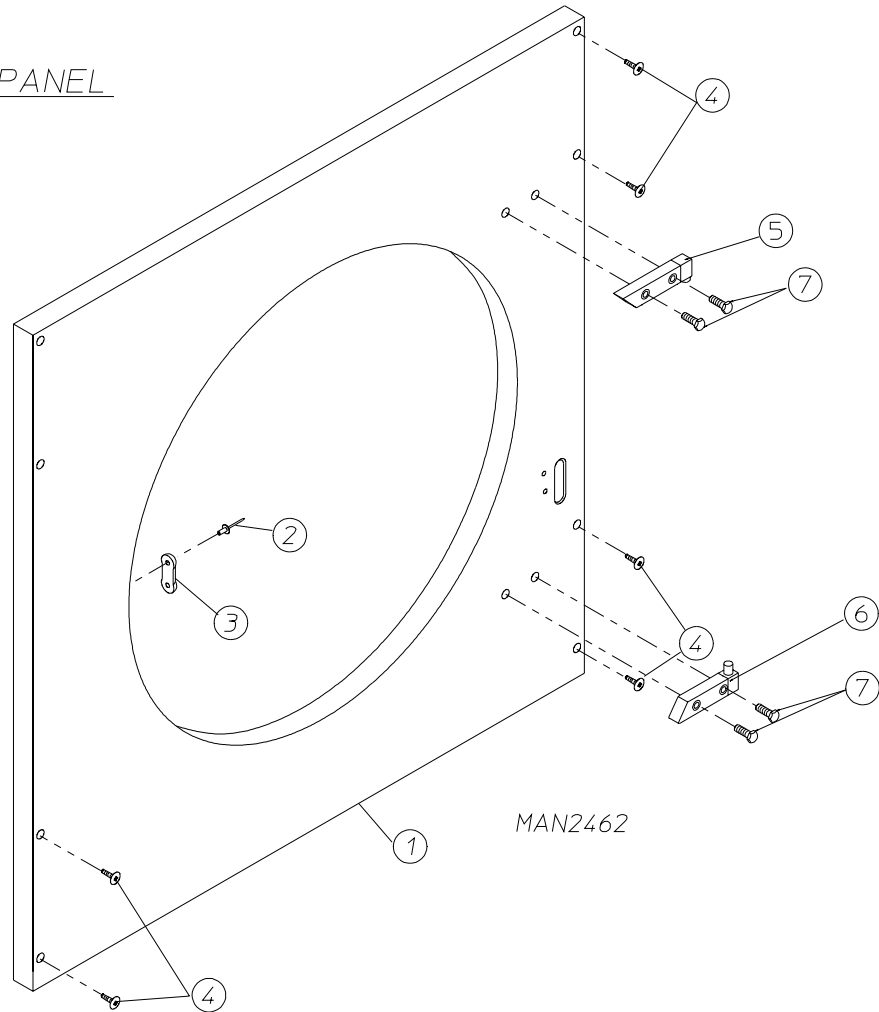


| <u>Illus. No.</u> | <u>Part No.</u> | <u>Qty.</u> | <u>Description</u> |
|-------------------|-----------------|-------------|--|
| 1 | 824439 | 1 | AD-330/AD-320 Electric Box Complete - 120 Volt (includes illus. nos. 1 through 17, 20, 21, and 24 through 27) |
| | 824437 | 1 | AD-330/AD-320 Electric Box Complete - 208 Volt (includes illus. nos. 1 through 17, 20, 21, and 24 through 27) |
| | 824438 | 1 | AD-330/AD-320 Electric Box Complete - 240 Volt (includes illus. nos. 1 through 17, 20, 21, and 24 through 27) |
| 2 | 150103 | 2 | #8-32 x 3/4" Phillips Round Head Machine Screw |
| 3 | 141403 | 1 | Transformer - 24 VAC (gas models Only) (for electrically heated models refer to page 48) |
| 4 | 151001 | 2 | #8-32 Pal Nut |
| 5 | 151000 | 1 | #6-32 Pal Nut |

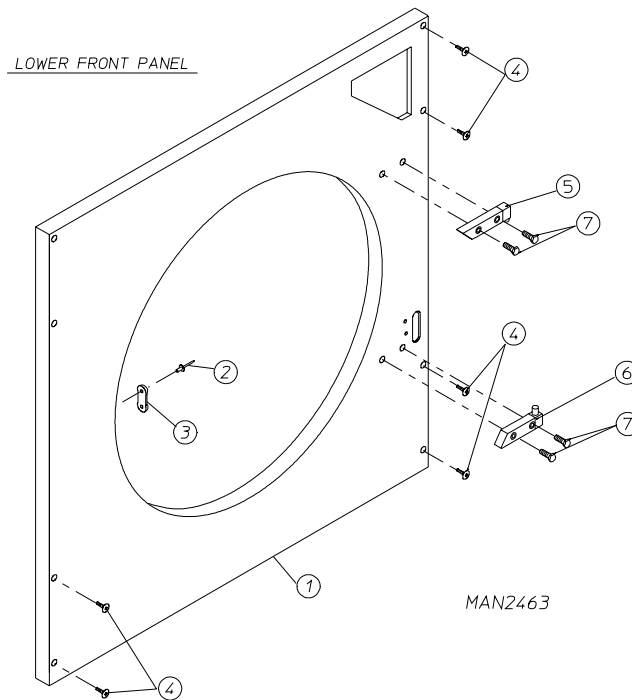
| <u>Illus. No.</u> | <u>Part No.</u> | <u>Qty.</u> | <u>Description</u> |
|-------------------|-----------------|-------------|--|
| 6* | 136008 | ** | 3-Position Fuse Block |
| 7 | 150002 | 1 | #6-32 x 1" Round Head Machine Screw |
| 8* | 136057 | 3** | 1/2-Amp (Slo-Blo) Fuse ONLY |
| 9 | 150002 | 2 | #6-32 x 1" Round Head Machine Screw |
| 10 | 120715 | 1 | 30-Position Terminal Block |
| 11 | 151000 | 2 | #6-32 Pal Nut |
| 12 | 150103 | 4 | #8-32 x 3/4" Phillips Round Head Machine Screw |
| 13 | 132451 | 2 | 2-Pole Contactor |
| 14 | 151001 | 4 | #8-32 Pal Nut |
| 15 | 824828 | 2 | RC Network with Connectors |
| 16 | 122626 | 1 | 15-Pin Socket Connector ONLY |
| 17 | 122705 | 9 | Socket Terminal ONLY |
| 18 | 122704 | 9 | Pin Terminal ONLY |
| 19 | 122625 | 1 | 15-Pin Connector ONLY |
| | 137025 | 1 | 6/15-Position Strain Relief...Not Illustrated |
| 20 | 122631 | 1 | 6-Pin Socket Connector ONLY |
| 21 | 122705 | 6 | Socket Terminal ONLY |
| 22 | 122704 | 6 | Pin Terminal ONLY |
| 23 | 122630 | 1 | 6-Pin Connector ONLY |
| | 137025 | 1 | 6/15-Position Strain Relief...Not Illustrated |
| 24 | 150309 | 1 | #10-16 x 1/2" Hex Head TEK Crimptite Screw |
| 25 | 121010 | 1 | L-70 Terminal Lug |
| 26 | 122626 | 1 | 15-Pin Socket Connector ONLY |
| 27 | 122705 | 7 | Socket Terminal ONLY |
| 28 | 122704 | 7 | Pin Terminal ONLY |
| 29 | 122625 | 1 | 15-Pin Connector ONLY |
| | 137025 | 1 | 6/15-Position Strain Relief...Not Illustrated |
| 30 | 121494 | 10 | Push-Mount Wire Tie |
| -- | 122801 | 1 | Pin/Socket Extraction Tool...Not Illustrated |
| -- | 122800 | 1 | Microprocessor (female) Pin Extraction Tool |

* Check fuse rating for verification.

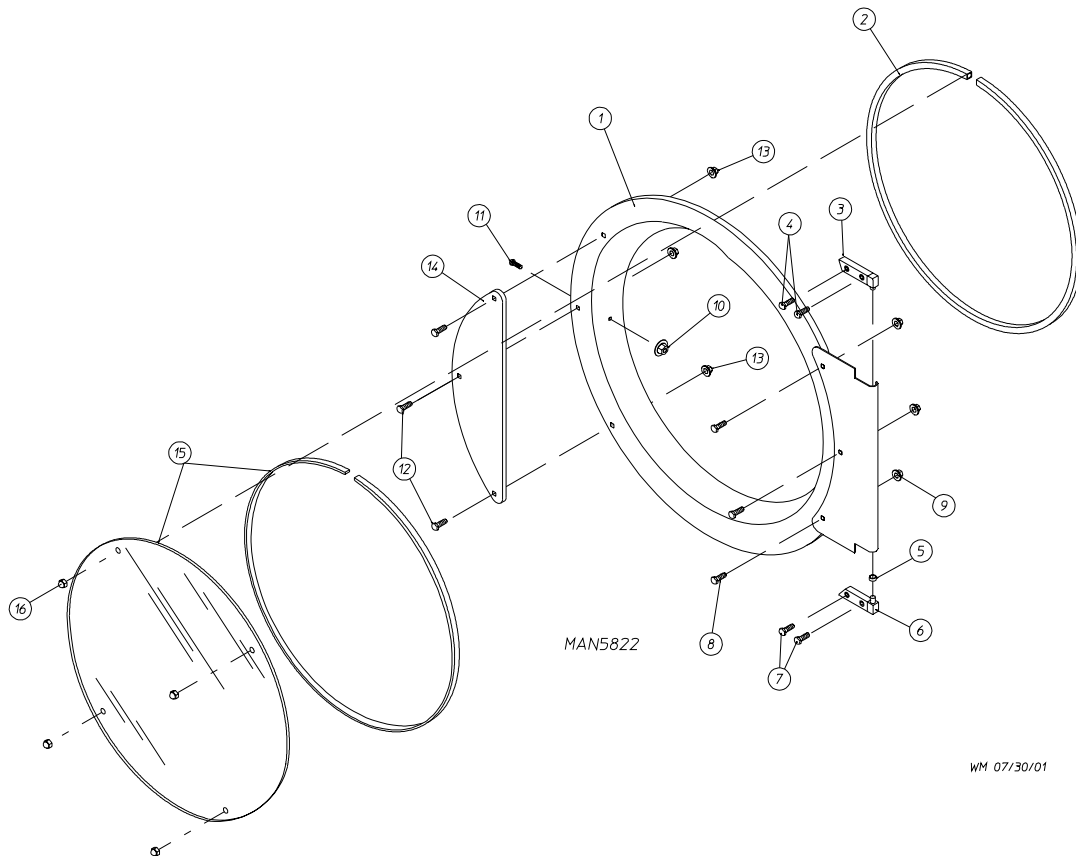
** For 120 volt application the quantity is 1. For 208/240 volt application the quantity is 2.

UPPER FRONT PANEL

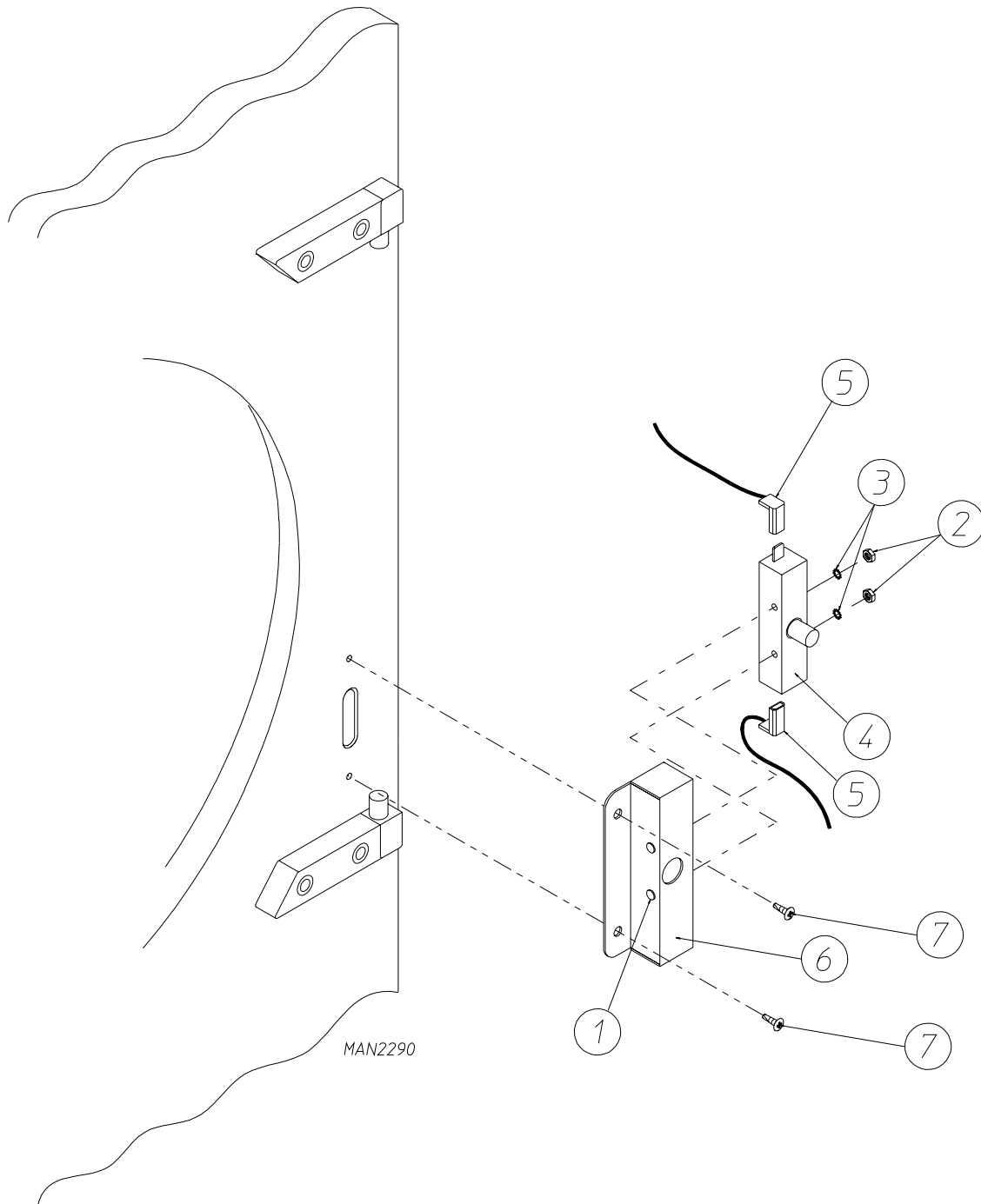
| <u>Illus. No.</u> | <u>Part No.</u> | <u>Qty.</u> | <u>Description</u> |
|-------------------|-----------------|-------------|--|
| 1 | 883411 | 1 | AD-330/AD-320 White Front Panel Assembly (includes illus. nos. 1 through 3) |
| | 883413 | 1 | AD-330/AD-320 Ivory Front Panel Assembly (includes illus. nos. 1 through 3) |
| | 883412 | 1 | AD-330/AD-320 Coral Blue Front Panel Assembly (includes illus. nos. 1 through 3) |
| | 883415 | 1 | AD-330/AD-320 Stainless Steel Front Panel Assembly (includes illus. nos. 1 through 3) |
| 2 | 154215 | 2 | 1/8" Pop Rivet |
| 3 | 170330 | 1 | Friction Door Latch |
| 4 | 150313 | 8 | #10-16 x 1/2" TORX + BTN Head Screw |
| 5 | 881152 | 1 | Black Top Hinge Block Assembly |
| | 881208 | 1 | Stainless Steel Top Hinge Block Assembly |
| 6 | 881151 | 1 | Black Bottom Hinge Block Assembly |
| | 881209 | 1 | Stainless Steel Bottom Hinge Block Assembly |
| 7 | 150445 | 4 | 1/4-20 x 7/8" Black Cap Head Setscrew |
| | 150443 | 4 | 1/4-20 x 7/8" Stainless Steel Cap Head Setscrew |



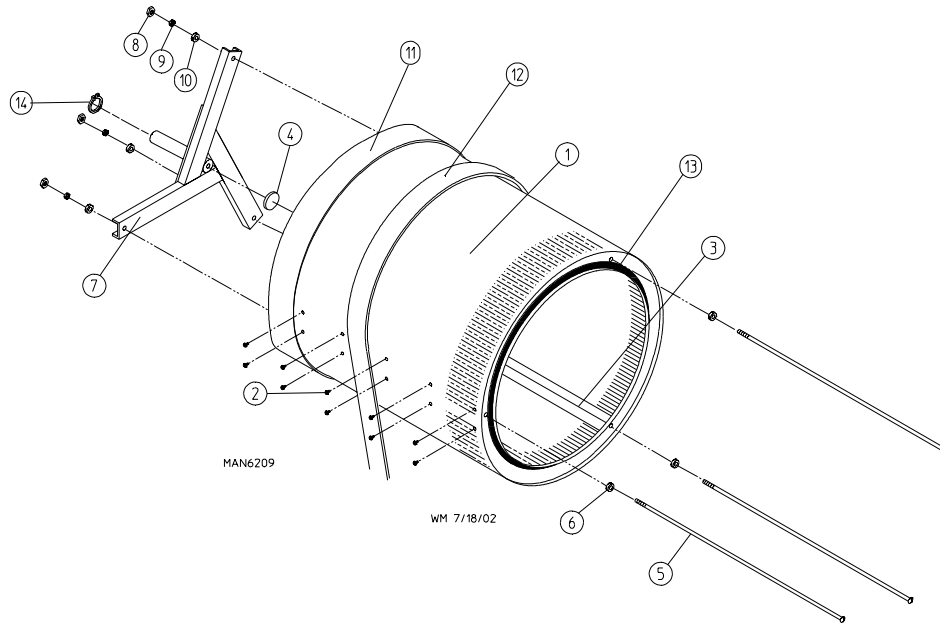
| <u>Illus. No.</u> | <u>Part No.</u> | <u>Qty.</u> | <u>Description</u> |
|-------------------|-----------------|-------------|--|
| 1 | 883405 | 1 | White Bottom Front Panel Assembly (for coin models Only) (includes illus. nos. 1 through 3) |
| | 883407 | 1 | Ivory Bottom Front Panel Assembly (for coin models Only) (includes illus. nos. 1 through 3) |
| | 883406 | 1 | Coral Blue Bottom Front Panel Assembly (for coin models Only) (includes illus. nos. 1 through 3) |
| | 883414 | 1 | Stainless Steel Bottom Front Panel Assembly (for coin models Only) (includes illus. nos. 1 through 3) |
| | 883411 | 1 | White OPL Bottom Front Panel Assembly (includes illus. nos. 1 through 3) |
| | 883413 | 1 | Ivory OPL Bottom Front Panel Assembly (includes illus. nos. 1 through 3) |
| | 883412 | 1 | Coral Blue OPL Bottom Front Panel Assembly (includes illus. nos. 1 through 3) |
| | 883415 | 1 | Stainless Steel OPL Bottom Front Panel Assembly (includes illus. nos. 1 through 3) |
| 2 | 154215 | 2 | 1/8" Pop Rivet |
| 3 | 170330 | 1 | Friction Door Latch |
| 4 | 150313 | 8 | #10-16 x 1/2" TORX + BTN Head Screw |
| 5 | 881152 | 1 | Black Top Hinge Block Assembly (includes illus. nos. 5 and 7) |
| | 881208 | 1 | Stainless Steel Top Hinge Block Assembly |
| 6 | 881151 | 1 | Black Bottom Hinge Block Assembly (includes illus. nos. 6 and 7) |
| | 881209 | 1 | Stainless Steel Bottom Hinge Block Assembly (includes illus. nos. 6 and 7) |
| 7 | 150445 | 4 | 1/4-20 x 7/8" Black Cap Head Setscrew |
| | 150443 | 4 | 1/4-20 x 7/8" Stainless Steel Cap Head Setscrew |



| <u>Illus. No.</u> | <u>Part No.</u> | <u>Qty.</u> | <u>Description</u> |
|-------------------|-----------------|-------------|--|
| 1 | 881150 | 1 | Black Main Door Assembly Complete (includes illus. nos. 1, 2, and 8 through 15) |
| 2 | 102354 | 1 | Door Gasket |
| | 170730 | 1 | Clear Glass Adhesive (10.3 oz. cartridge) |
| | 170731 | 1 | Black Glass Adhesive (10.3 oz. cartridge) |
| 3 | 881152 | 1 | Black Top Hinge Block Assembly (includes illus. nos. 3 and 4) |
| 4 | 150445 | 2 | 1/4-20 x 3/4" Black Cap Head Setscrew |
| 5 | 153031 | 1 | 1/4" Nylon Washer |
| 6 | 881151 | 1 | Black Bottom Hinge Block Assembly (includes illus. nos. 5 through 7) |
| 7 | 150445 | 2 | 1/4-20 x 3/4" Black Cap Head Setscrew |
| | 150443 | 2 | 1/4-20 x 3/4" Stainless Steel Cap Head Setscrew |
| 8 | 150683 | 3 | 1/4-20 x 5/8" Black Carriage Bolt |
| 9 | 152014 | 3 | 1/4-20 Free Spin Wash Nut |
| 10 | 151010 | 1 | #10-32 Black Hex Acorn Nut |
| 11 | 150120 | 1 | Door Latch Screw |
| 12 | 150683 | 3 | 1/4-20 x 5/8" Black Carriage Bolt |
| 13 | 152014 | 3 | 1/4-20 Free Spin Wash Nut |
| 14 | 881210 | 1 | Black Main Door Handle ONLY |
| 15 | 102218 | 1 | 20-7/16" Door Glass |
| | 170731 | 1 | Black Glass Adhesive (10.3 oz. cartridge) |
| 16 | 151013 | 4 | #10-32 Black Nylon Acorn Nut |

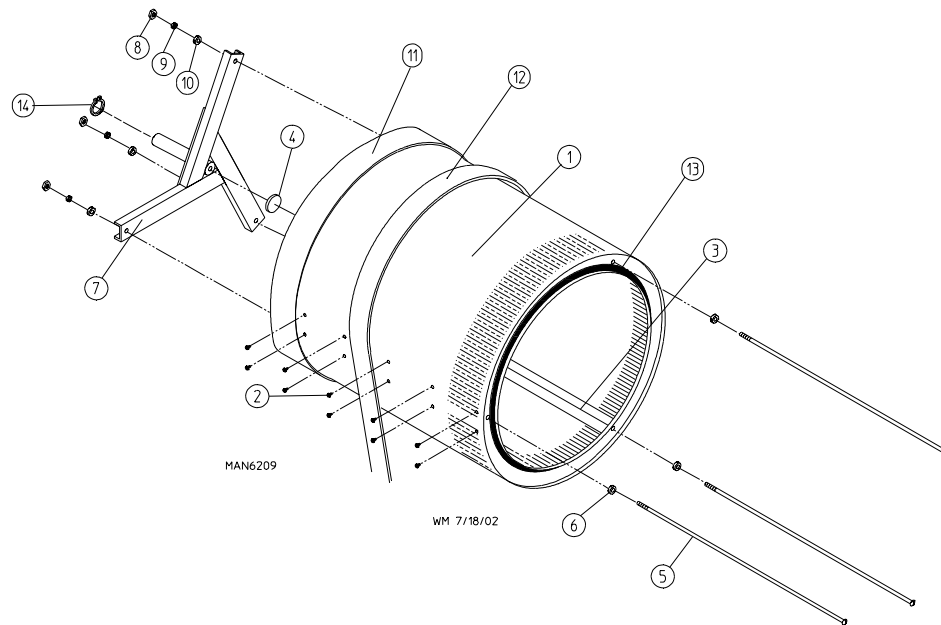


| <u>Illus. No.</u> | <u>Part No.</u> | <u>Qty.</u> | <u>Description</u> |
|-------------------|-----------------|-------------|--|
| 1 | 153566 | 2 | #6-32 x 7/8" Clinch Stud |
| 2 | 152013 | 2 | #6-32 Hex Nut |
| 3 | 153010 | 2 | #6 Star Washer |
| 4 | 137005 | 1 | Single-Pole Door Switch |
| 5 | 122636 | 2 | Flag Terminal |
| 6 | 881211 | 1 | Main Door Switch Housing (includes illus. nos. 1 through 3 and 6) |
| 7 | 150301 | 2 | #8-18 x 7/16" Phillips Pan Head TEK Screw |



| <u>Illus. No.</u> | <u>Part No.</u> | <u>Qty.</u> | <u>Description</u> |
|-------------------|-----------------|-------------|--|
| 1 | 800763 | 1 | Basket (tumbler) and Support Assembly Complete with Felt Collars (includes illus. nos. 1 through 11, 13, and 14) |
| | 800765 | 1 | Stainless Steel Basket (tumbler) and Support Assembly Complete with Felt Collars (includes illus. nos. 1 through 11, 13, and 14) |
| | 800722* | 1 | Basket (tumbler) ONLY without Felt (includes illus. nos. 1 through 3) |
| | 800740* | 1 | Stainless Steel Basket (tumbler) ONLY without Felt Collars (includes illus. nos. 1 through 3) |
| 2 | 150313 | 30 | #10-16 x 1/2" TORX + BTN Head Screw |
| 3 | 301315 | 2 | Short Basket (tumbler) Rib ONLY |
| | 301316 | 1 | Tall Basket (tumbler) Rib ONLY |
| | 301433 | 2 | Stainless Steel Short Basket Rib |
| | 301434 | 1 | Stainless Steel Tall Basket Rib |
| 4 | 115986 | 1 | 1/4" x 2" Basket (tumbler) Felt Pad |
| 5 | 882050 | 3 | Tie Rod (includes illus. nos. 5, 6, and 8 through 10) |
| 6 | 153004 | 3 | 3/8" Flat Washer |
| 7 | 850066 | 1 | Basket (tumbler) Support ONLY |
| 8 | 152027 | 3 | 3/8-18 Hex Lock Nut |
| 9 | 153005 | 3 | 3/8" Lock Washer |
| 10 | 153004 | 3 | 3/8" Flat Washer |
| 11 | 115999 | 1 | Felt Collar ONLY |
| | 401010 | 1 | #847 Adhesive for Felt Collar (5 oz. tube) |
| 12 | 100173 | 1 | 12-Rib 95" (J) Poly Belt (refer to 12-Rib 95" [J] Poly Belt Arrangement on page 45) |
| 13 | 115992 | 1 | Inner Ring Felt Collar ONLY |
| 14 | 100812 | 1 | 1-3/8" Retaining Ring |

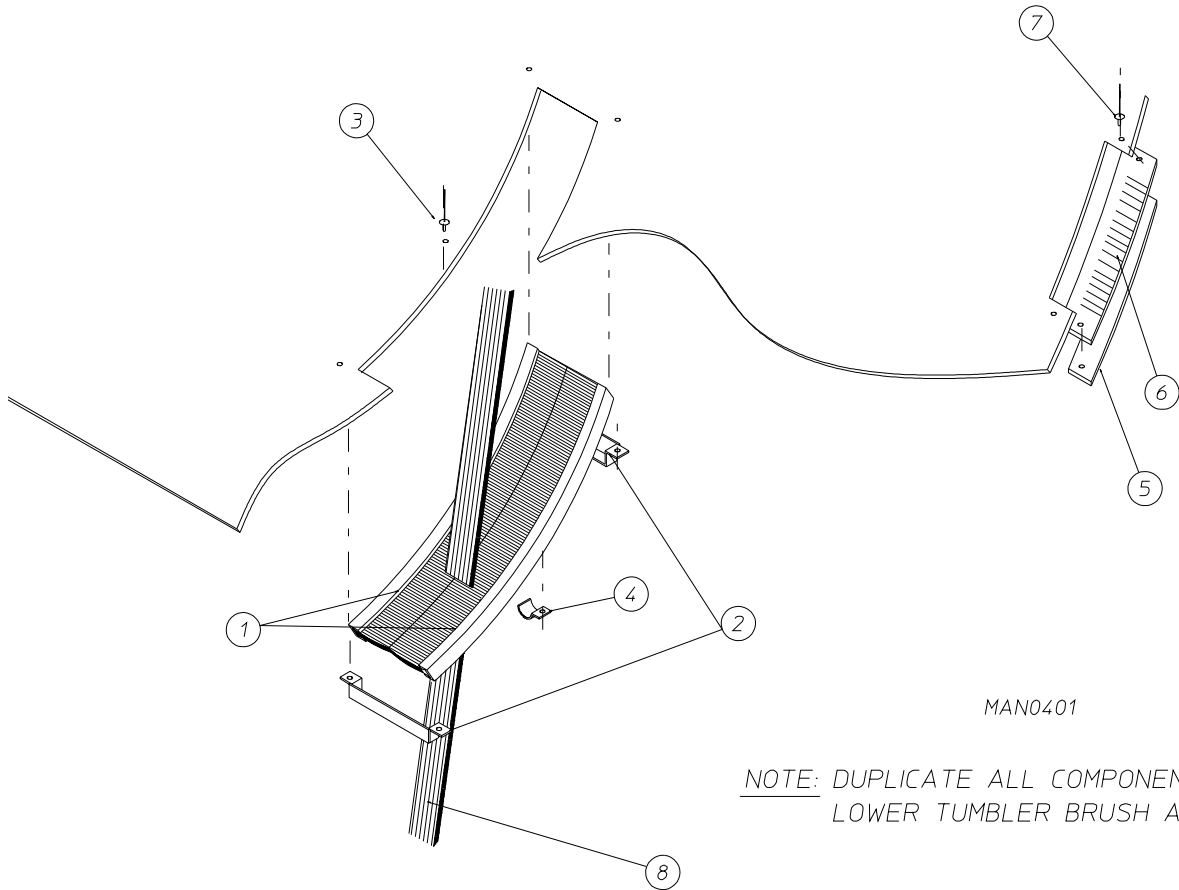
* Felt collars are not included and **must be** ordered separately.



| <u>Illus. No.</u> | <u>Part No.</u> | <u>Qty.</u> | <u>Description</u> |
|-------------------|-----------------|-------------|--|
| 1 | 800835 | 1 | Basket (tumbler) and Support Assembly Complete with Felt Collars (includes illus. nos. 1 through 11, 13, and 14) |
| | 800760 | 1 | Stainless Steel Basket (tumbler) and Support Assembly Complete with Felt Collars (includes illus. nos. 1 through 11, 13, and 14) |
| | 800726* | 1 | Basket (tumbler) ONLY without Felt (includes illus. nos. 1 through 3) |
| | 800739* | 1 | Stainless Steel Basket (tumbler) ONLY without Felt Collars (includes illus. nos. 1 through 3) |
| 2 | 150313 | 30 | #10-16 x 1/2" TORX + BTN Head Screw |
| 3 | 301318 | 2 | Short Basket (tumbler) Rib ONLY |
| | 301317 | 1 | Tall Basket (tumbler) Rib ONLY |
| | 301432 | 2 | Stainless Steel Short Basket (tumbler) Rib |
| | 301431 | 1 | Stainless Steel Tall Basket (tumbler) Rib |
| 4 | 115986 | 1 | 1/4" x 2" Basket (tumbler) Felt Pad |
| 5 | 882051 | 3 | Tie Rod (includes illus. nos. 5, 6, and 8 through 10) |
| 6 | 153004 | 3 | 3/8" x 1-1/2" Fender Washer |
| 7 | 850066 | 1 | Basket (tumbler) Support ONLY |
| 8 | 152027 | 3 | 3/8-18 Hex Lock Nut |
| 9 | 153005 | 3 | 3/8" Lock Washer |
| 10 | 153004 | 3 | 3/8" Flat Washer |
| 11 | 115999 | 1 | Felt Collar ONLY |
| | 401010 | 1 | #847 Adhesive for Felt Collar (5 oz. tube) |
| 12 | 100173 | 1 | 12-Rib 95" (J) Poly Belt (refer to 12-Rib 95" [J] Poly Belt Arrangement on page 45) |
| 13 | 115992 | 1 | Inner Ring Felt Collar ONLY |
| 14 | 100812 | 1 | 1-3/8" Retaining Ring |

* Felt collars are not included and **must be** ordered separately.

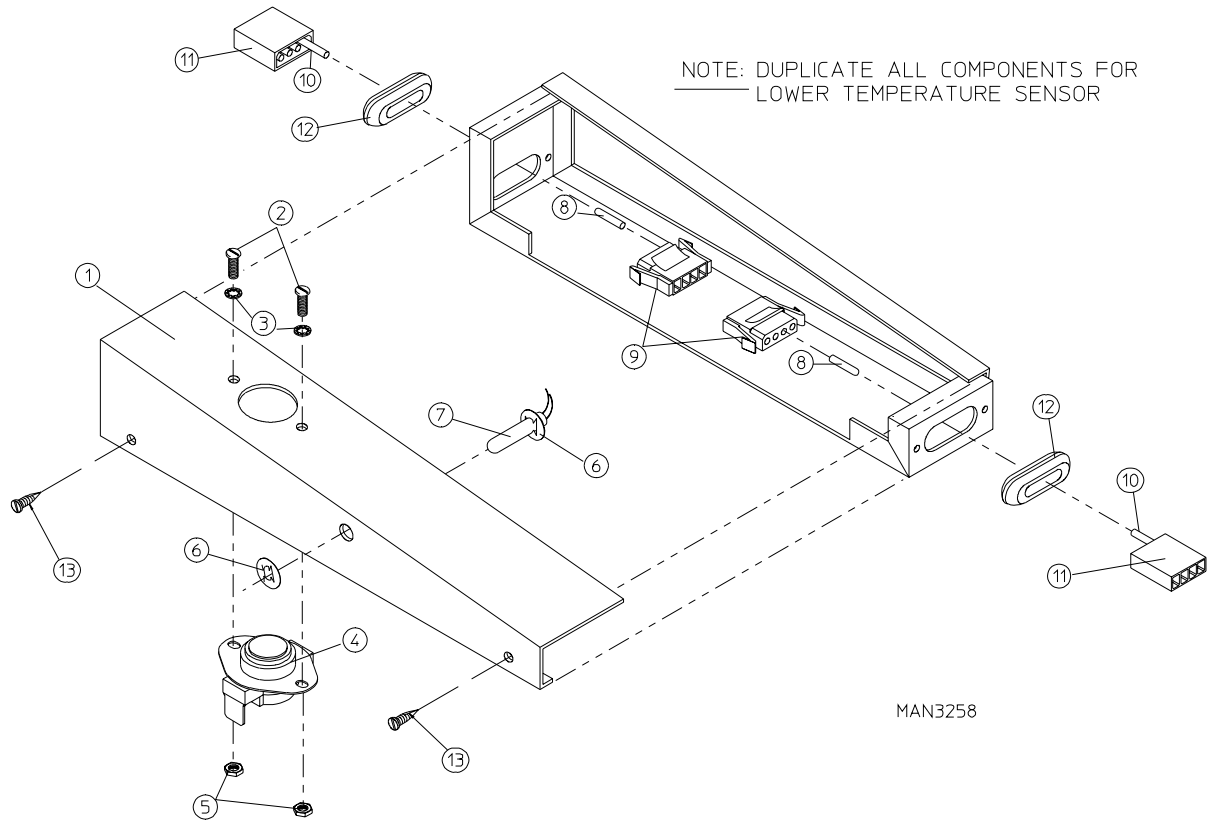
UPPER TUMBLER BRUSH



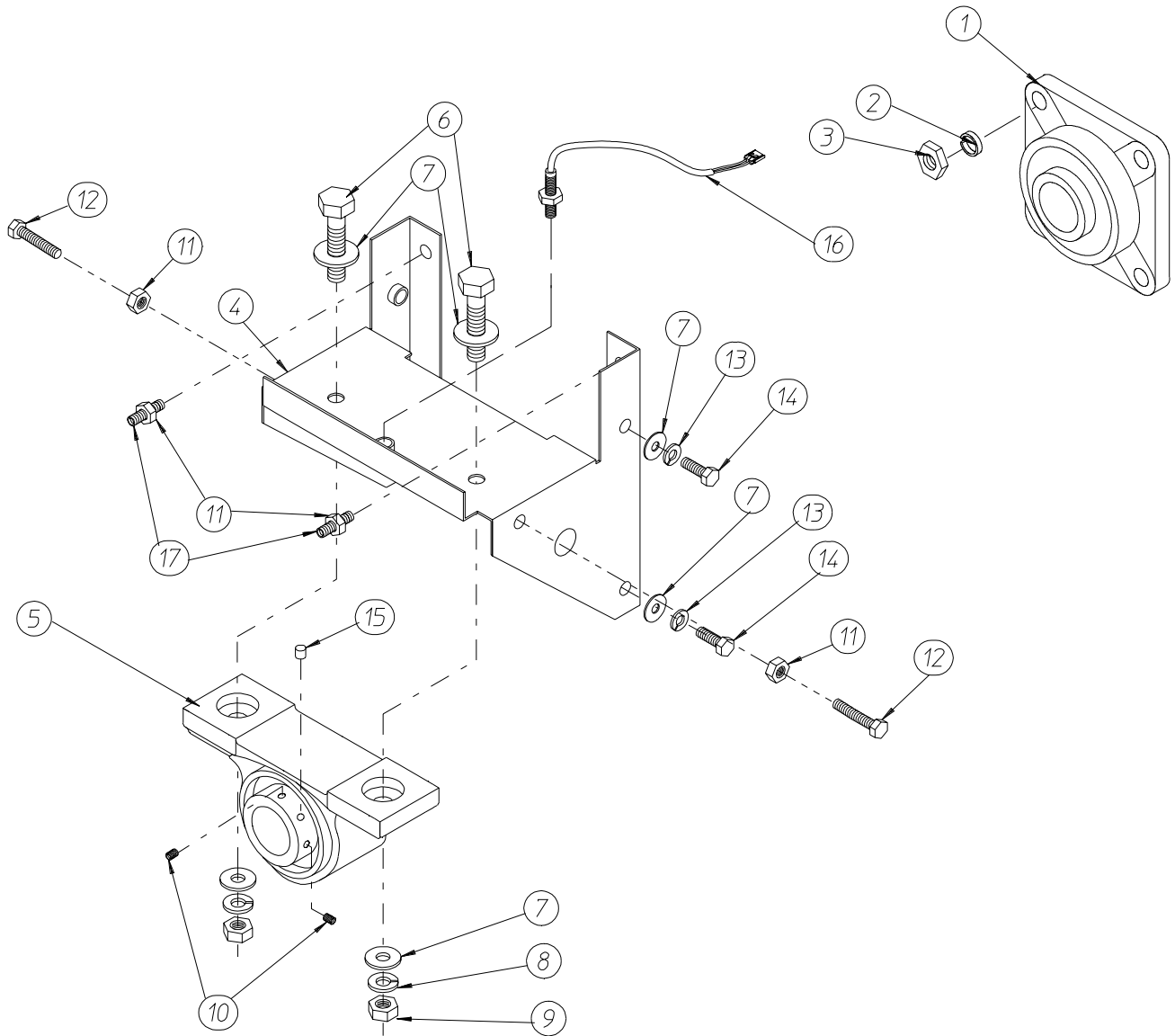
NOTE: DUPLICATE ALL COMPONENTS FOR LOWER TUMBLER BRUSH ASSEMBLY

| <u>Illus. No.</u> | <u>Part No.</u> | <u>Qty.</u> | <u>Description</u> |
|-------------------|-----------------|-------------|---|
| 1 | 170198 | 2 | AD-330/AD-320 Drive Belt Sealing Brush |
| 2 | 317656 | 2 | AD-330/AD-320 Sealing Brush Clip End |
| 3 | 154210 | 6 | 5/32" x 3/16" Pop Rivet |
| 4 | 120117 | 2 | 3/8" EMT Hanger |
| 5 | 317651 | 1 | AD-330/AD-320 Wrapper Gasket Strip |
| 6 | 102325 | 1 | 8-1/2" x 1-1/2" x 1/8" Wrapper Channel Gasket |
| 7 | 154210 | 2 | 5/32" x 3/16" Pop Rivet |
| 8 | 100173 | 1 | 12-Rib 95" (J) Poly Belt (refer to 12-Rib 95" [J] Poly Belt Arrangement on page 45) |

UPPER TEMPERATURE SENSOR

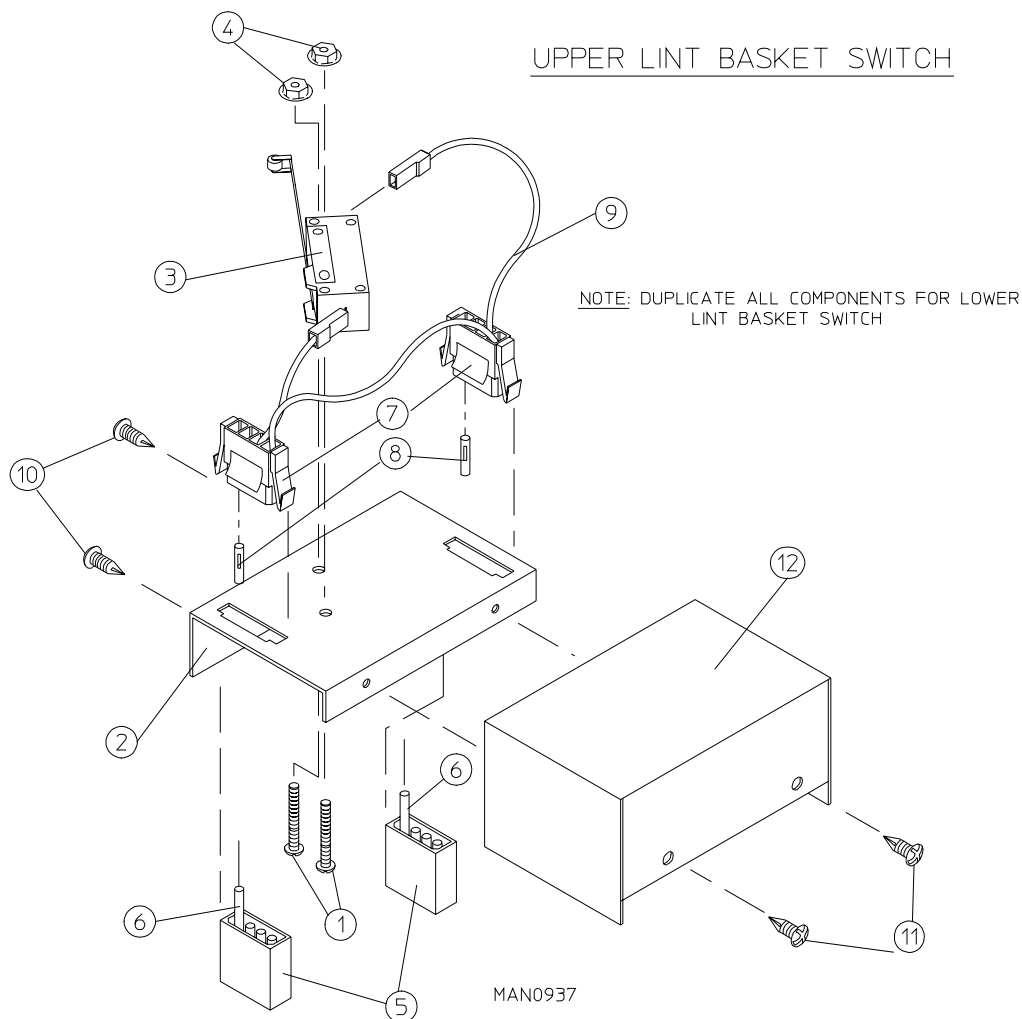


| Illus. No. | Part No. | Qty. | Description |
|------------|----------|------|---|
| 1 | 801409 | 1 | AD-330/AD-320 Temperature Sensor Bracket Assembly Complete (includes illus. nos. 1 through 9, 12, and 13) |
| 2 | 150000 | 2 | #6-32 x 1/4" Round Head Machine Screw |
| 3 | 153010 | 2 | #6 Star Washer |
| 4 | 130106 | 1 | 170° Large Thermostat |
| 5 | 152013 | 2 | #6-32 Hex Nut |
| 6 | 154007 | 2 | 1/4" Tinnerman Push On Fastener |
| 7 | 880111 | 1 | Dual Microprocessor Controller (DMC) 1/4" Temperature Sensor Probe Assembly (includes illus. nos. 6 through 9) |
| 8 | 122701 | 8 | Socket Terminal ONLY |
| 9 | 122605 | 2 | 4-Pin Socket Connector ONLY |
| 10 | 122700 | 8 | Pin Terminal ONLY |
| 11 | 122604 | 2 | 4-Pin Connector ONLY |
| | 122801 | 1 | Pin/Socket Extraction Tool...Not Illustrated |
| 12 | 121405 | 2 | Rubber Grommet |
| 13 | 150301 | 2 | #8-18 x 7/16" Phillips Pan Head TEK Screw |



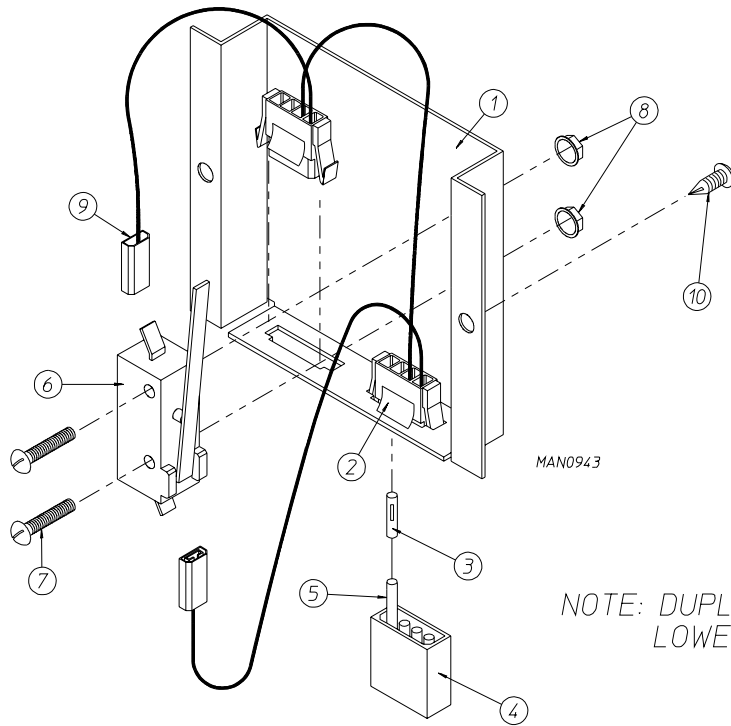
MAN6036

| <u>Illus. No.</u> | <u>Part No.</u> | <u>Qty.</u> | <u>Description</u> |
|-------------------|-----------------|-------------|---|
| 1 | 880203 | 1 | 1-3/8" Flange Bearing ONLY |
| 2 | 153005 | 4 | 3/8" Lock Washer |
| 3 | 152005 | 4 | 3/8-16 Hex Nut |
| 4 | 882544 | 1 | Pillow Block Bearing Assembly Complete (includes illus. nos. 4 through 14 and 17) |
| | 882545 | 1 | Bearing Assembly Complete (for models mfd. with rotational sensor) (includes illus. nos. 4 through 17) |
| | 882542 | 1 | Bearing Support ONLY |
| | 882543 | 1 | Bearing Support ONLY (for models mfd. with rotational sensor) |
| 5 | 880202 | 1 | 1-3/8" Pillow Block Bearing ONLY |
| | 880779 | 1 | 1-3/8" Pillow Block Bearing (for models mfd. with rotational sensor) |
| 6 | 150601 | 2 | 3/8-16 x 2" Hex Bolt |
| 7 | 153004 | 8 | 3/8" Flat Washer |
| 8 | 153005 | 2 | 3/8" Lock Washer |
| 9 | 152005 | 2 | 3/8-16 Hex Nut |
| 10 | 154326 | 2 | 5/16-24 x 3/8" Setscrew (black) |
| 11 | 152004 | 4 | 5/16-18 Hex Nut |
| 12 | 150621 | 2 | 5/16-18 x 1-1/2" Tap Bolt |
| 13 | 153002 | 4 | 5/16" Lock Washer |
| 14 | 150501 | 4 | 5/16-18 x 3/4" Tap Bolt |
| 15 | 102120 | 1 | Sintered 8 Magnet |
| 16 | 824807 | 1 | Rotational Sensor Assembly (for models mfd. with rotational sensor) |
| 17 | 150610 | 2 | 5/16-18 x 1-1/2" Allen Setscrew |



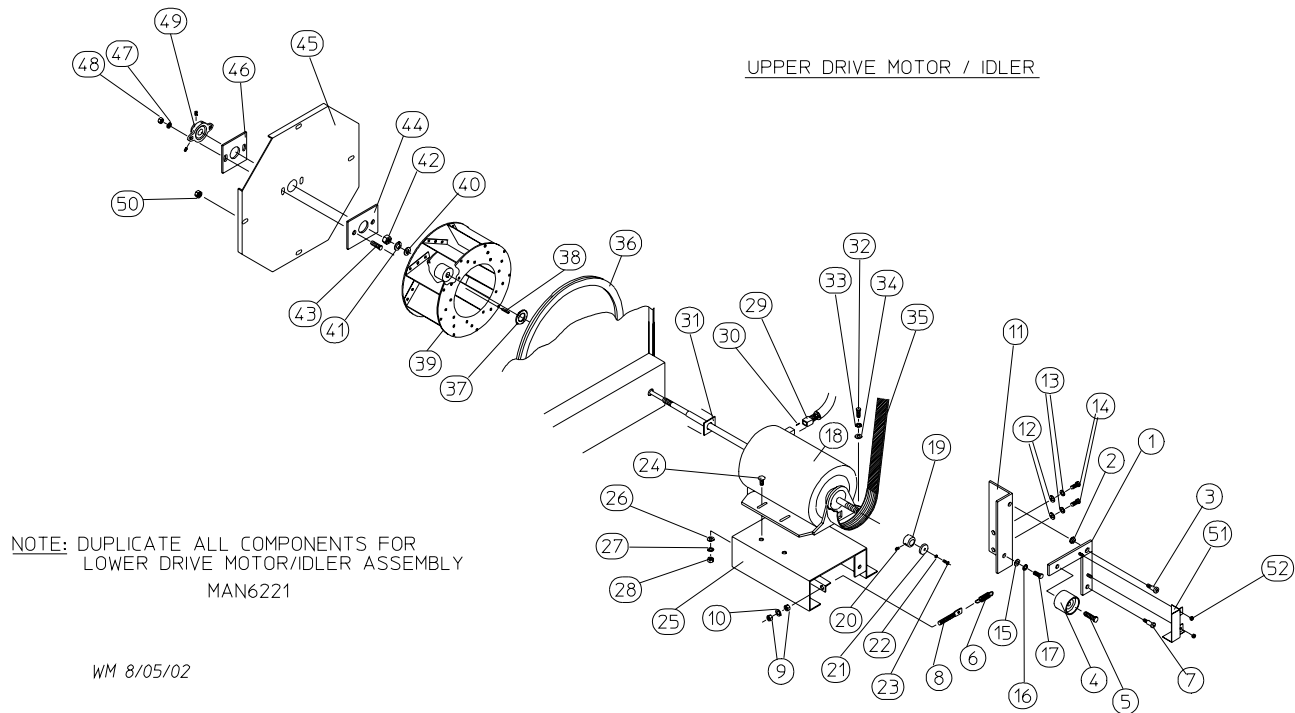
| <u>Illus. No.</u> | <u>Part No.</u> | <u>Qty.</u> | <u>Description</u> |
|-------------------|-----------------|-------------|--|
| 1 | 150006 | 2 | #6-32 x 7/8" Round Head Machine Screw |
| 2 | 802816 | 1 | AD-330 Lint Drawer (basket) Switch Assembly Complete (includes illus. nos. 1 through 4 and 7 through 9) |
| | 307204 | 1 | AD-330 Lint Switch Mounting Bracket ONLY |
| 3 | 136990 | 1 | AD-330 Lint Drawer (basket) Safety Switch ONLY |
| 4 | 152013 | 2 | #6-32 Hex Nut |
| 5 | 122604 | 2 | 4-Pin Connector ONLY |
| 6 | 122700 | 4 | Pin Terminal ONLY |
| 7 | 122605 | 2 | 4-Pin Socket Connector ONLY |
| 8 | 122701 | 4 | Socket Terminal ONLY |
| | 122801 | 1 | Pin/Socket Extraction Tool...Not Illustrated |
| 9 | 824848 | 1 | AD-330 Lint Switch Bottom Harness (includes illus. nos. 7 through 9) |
| | 824849 | 1 | AD-330 Lint Switch Top Harness (includes illus. nos. 7 through 9) |
| 10 | 150309 | 2 | #10-16 x 1/2" Hex Head TEK Crimp Scribe |
| 11 | 150309 | 2 | #10-16 x 1/2" Hex Head TEK Crimp Scribe |
| 12 | 307203 | 1 | AD-330 Lint Switch Cover ONLY |

UPPER LINT BASKET SWITCH



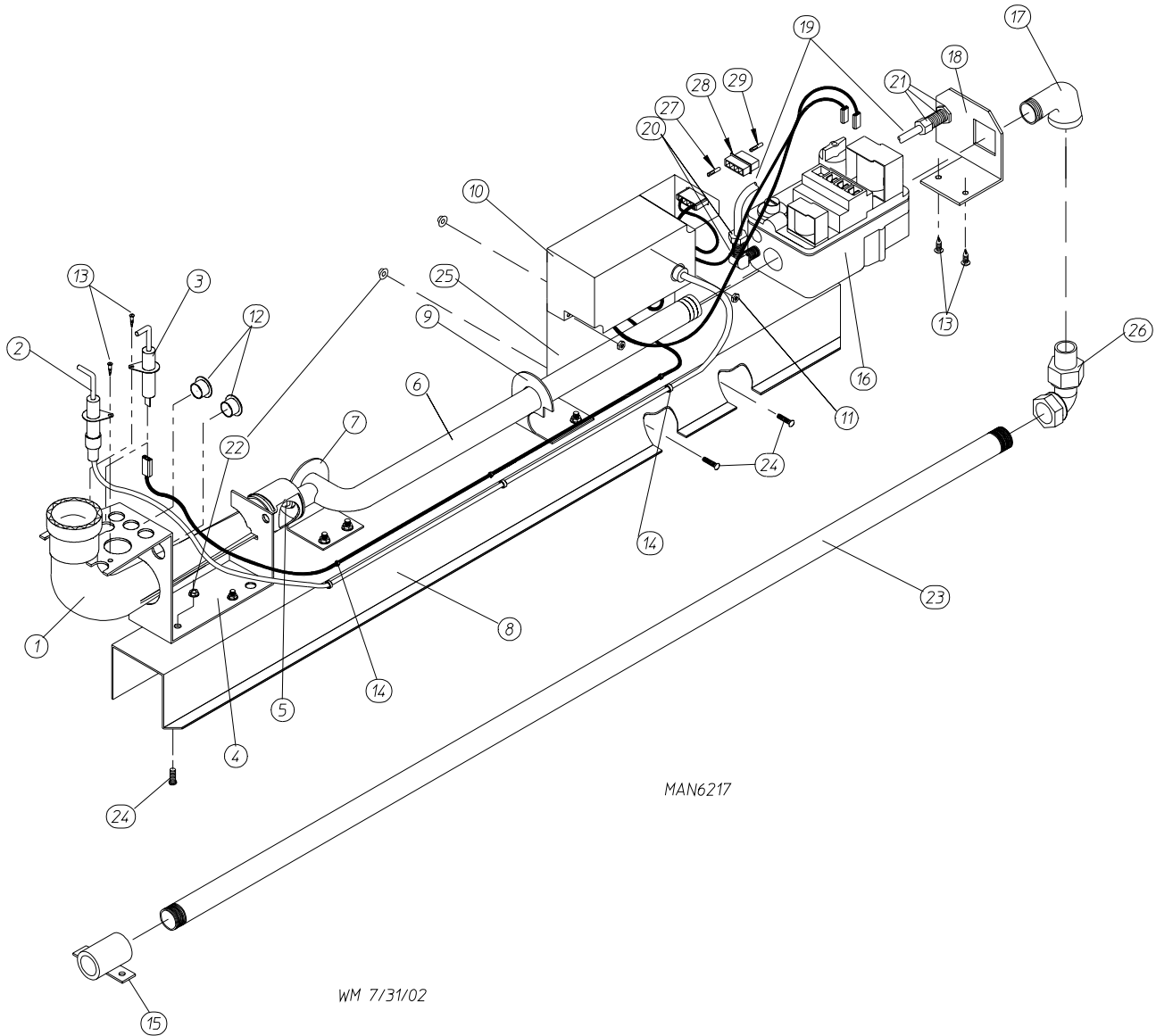
NOTE: DUPLICATE ALL COMPONENTS FOR LOWER LINT BASKET SWITCH

| <u>Illus. No.</u> | <u>Part No.</u> | <u>Qty.</u> | <u>Description</u> |
|-------------------|-----------------|-------------|--|
| 1 | 304039 | 1 | AD-320 Lint Drawer (basket) Switch Bracket/Cover |
| 2 | 122605 | 2 | 4-Pin Socket Connector ONLY |
| 3 | 122701 | 4 | Socket Terminal ONLY |
| 4 | 122604 | 2 | 4-Pin Connector ONLY |
| 5 | 122700 | 4 | Pin Terminal ONLY |
| 6 | 136992 | 1 | AD-320 Lint Drawer (basket) Safety Switch ONLY |
| 7 | 150006 | 2 | #6-32 x 7/8" Round Head Machine Screw |
| 8 | 152013 | 2 | #6-32 Hex Nut |
| 9 | 824848 | 1 | AD-320 Lint Switch Bottom Harness |
| | 824849 | 1 | AD-320 Lint Switch Top Harness |
| 10 | 150309 | 2 | #10-16 x 1/2" Hex Head TEK Crimpite Screw |
| --- | 122801 | 1 | Pin/Socket Extraction Tool...Not Illustrated |



| <u>Illus. No.</u> | <u>Part No.</u> | <u>Qty.</u> | <u>Description</u> |
|-------------------|-----------------|-------------|--|
| 1 | 882910 | 1 | AD-330/AD-320 Upper and Lower Idler Arm ONLY |
| | 801019 | 1 | AD-330/AD-320 Upper and Lower Idler Arm Assembly with Hardware (includes illus. nos. 1 through 10) |
| 2 | 121350 | 1 | 13/32" x 3/8" I.D. Bronze |
| 3 | 154266 | 1 | 3/8" x 3/8" Shoulder Screw |
| 4 | 100250 | 1 | AD-330/AD-320 Back Side Idler Assembly |
| 5 | 150600 | 1 | 3/8-16 x 1-1/2" Hex Head Machine Bolt |
| 6 | 157010 | 1 | 1-7/8" Extension Spring |
| 7 | 154276 | 1 | 1/4-20 x 5/8" Shoulder Bolt |
| 8 | 154275 | 1 | 3/8-16 x 3-3/8" Spade Bolt |
| 9 | 152005 | 2 | 3/8-16 Hex Nut |
| 10 | 153005 | 1 | 3/8" Lock Washer |
| 11 | 850135 | 1 | AD-330/AD-320 Idler Angle |
| 12 | 153001 | 2 | 5/16" Flat Washer |
| 13 | 153002 | 2 | 5/16" Lock Washer |
| 14 | 150501 | 2 | 5/16-18 x 3/4" Hex Head Machine Bolt |
| 15 | 153001 | 2 | 5/16" Flat Washer |
| 16 | 153002 | 2 | 5/16" Lock Washer |
| 17 | 150501 | 2 | 5/16-18 x 3/4" Hex Head Machine Bolt |
| 18 | 100064 | 1 | 1/3 HP 120/230v 1ø 60 Hz Totally Enclosed, Non-Vent (T.E.N.V.) Motor with Plug |
| | 100049 | 1 | 1/3 HP 100-230v 1ø 50 Hz Totally Enclosed, Non-Vent (T.E.N.V.) Motor with Plug |
| 19 | 101097 | 1 | AD-330/AD-320 Rear Motor Shaft Bushing (for 60 Hz models) |
| | 101099 | 1 | AD-330/AD-320 Rear Motor Shaft Bushing (for 50 Hz models) |
| 20 | 154327 | 1 | 1/4-20 x 3/8" Socket Setscrew |
| 21 | 101096 | 1 | AD-330/AD-320 Front Motor Shaft Bushing (50/60 Hz) |
| 22 | 153024 | 1 | #10 Lock Washer |

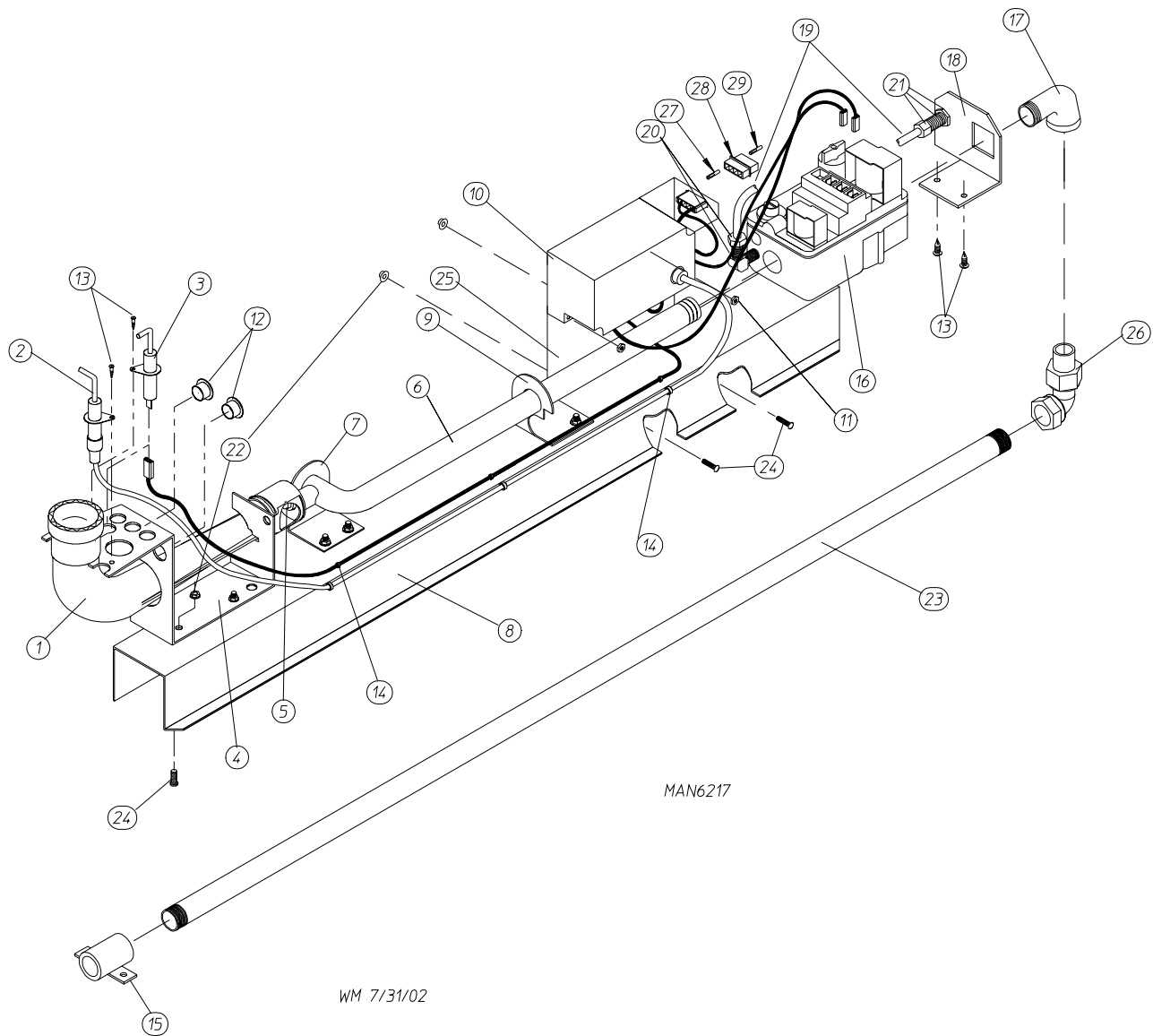
| <u>Illus. No.</u> | <u>Part No.</u> | <u>Qty.</u> | <u>Description</u> |
|-------------------|-----------------|-------------|---|
| 23 | 150216 | 1 | #10-32 x 3/4" Left Hand Phillips Round Head Screw |
| 24 | 154279 | 4 | 5/16-18 x 3/4" Carriage Bolt |
| 25 | 800917 | 1 | AD-330/AD-320 Motor Mount ONLY |
| | 803918 | 1 | 1/3 HP 120/230v 1ø 60 Hz Totally Enclosed, Non-Vent (T.E.N.V.) Motor Mount Assembly Complete (includes illus. nos. 11 through 28 and 31) |
| | 803926 | 1 | 1/3 HP 120/230v 1ø 50 Hz Totally Enclosed, Non-Vent (T.E.N.V.) Motor Mount Assembly Complete (includes illus. nos. 11 through 28 and 31) |
| 26 | 153001 | 4 | 5/16" Flat Washer |
| 27 | 153002 | 4 | 5/16" Lock Washer |
| 28 | 152004 | 4 | 5/16-18 Hex Nut |
| 29 | 137030 | 1 | 8-Pin Housing |
| 30 | 122701 | 8 | Socket Terminal ONLY |
| | 122801 | 1 | Pin/Socket Extraction Tool...Not Illustrated |
| 31 | 116010 | 1 | AD-330/AD-320 Felt Motor Seal ONLY |
| 32 | 150501 | 4 | 5/16-18 x 3/4" Hex Head Machine Bolt |
| 33 | 153002 | 4 | 5/16" Lock Washer |
| 34 | 153001 | 4 | 5/16" Flat Washer |
| 35 | 100173 | 1 | 12-Rib 95" Belt |
| 36 | 117604 | 3 | Neoprene Sponge Tape (sold by the foot) |
| 37 | 153054 | 1 | AD-330/AD-320 Motor Washer (for 50 Hz models) |
| 38 | 100705 | 1 | 3/16" x 3/16" x 1-3/8" Key |
| 39 | 802831 | 1 | 12-1/2" Riveted Impellor with 3/4" Bore (for 60 Hz models) |
| | 802830 | 1 | 12-1/2" Riveted Impellor with 5/8" Bore (for 50 Hz models) |
| 40 | 153051 | 1 | 3/4" Flat Washer (for 60 Hz models) |
| | 153054 | 1 | AD-330/AD-320 Motor Washer (for 50 Hz models) |
| 41 | 153040 | 1 | 3/4" Lock Washer (for 60 Hz models) |
| | 153015 | 1 | 5/8" Lock Washer (for 50 Hz models) |
| 42 | 152025 | 1 | 3/4-16 Jam Nut (for 60 Hz models) |
| | 152030 | 1 | 5/8-18 Jam Nut (for 50 Hz models) |
| 43 | 153525 | 2 | 1/4-20 x 1" Self-Clinching Stud |
| 44 | 850132 | 1 | AD-330/AD-320 Bearing Backup Plate (includes illus. nos. 43 and 44) |
| | 852104 | 1 | AD-330/AD-320 Bearing Backup Plate Assembly (includes illus. nos. 43, 44, and 46 through 48) |
| 45 | 880885 | 1 | AD-330/AD-320 Impellor Cover |
| 46 | 116011 | 1 | AD-330/AD-320 Bearing Felt Seal |
| 47 | 153007 | 2 | 1/4" Lock Washer |
| 48 | 152002 | 2 | 1/4-20 Hex Nut |
| 49 | 880225 | 1 | 1/2" Flange Bearing |
| 50 | 152014 | 4 | 1/4-20 Free Spin Wash Nut |
| 51 | 314423 | 1 | AD-330/AD-320 Belt Guard |
| 52 | 150212 | 2 | #10-32 x 5/16" Phillips Pan Head Stainless Steel Screw |



| <u>Illus. No.</u> | <u>Part No.</u> | <u>Qty.</u> | <u>Description</u> |
|-------------------|-----------------|-------------|---|
| 1 | 141130 | 1 | Up-Shot Gas Burner |
| 2 | 128917 | 1 | Spark Ignitor |
| 3 | 128918 | 1 | Flame Sensor |
| 4 | 318009 | 1 | Burner Tube Bracket |
| 5 | 140856** | 1 | #23 Burner Orifice (natural gas) ONLY |
| | 140810** | 1 | #42 Burner Orifice (liquid propane [L.P.] gas) ONLY |
| 6 | 141225 | 1 | Single-Port Manifold |
| 7 | 318600 | 1 | Manifold Bracket |
| 8 | 883436* | 1 | Direct Spark Ignition (DSI) Natural Gas Train Assembly Complete (includes illus. nos. 1 through 4, 6 through 14, 16 through 22, and 24 through 26) |
| | 883437* | 1 | Direct Spark Ignition (DSI) Liquid Propane (L.P.) Gas Train Assembly Complete (includes illus. nos. 1 through 4, 6 through 14, 16 through 22, and 24 through 26) |
| | 319522 | 1 | AD-330 Gas Train Slide ONLY |
| 9 | 318711 | 1 | Notched Pipe Bracket |
| 10 | 128935 | 1 | Direct Spark Ignition (DSI) Module with Three Tries |
| 11 | 152013 | 2 | #6-32 Hex Nut |
| 12 | 121300 | 2 | Open/Closed Bushing |
| 13 | 150301 | 4 | #8-18 x 7/16" Phillips Pan Head TEK Screw |
| 14 | 121499 | 6 | 3/16" Push Mount Wire Tie |
| 15 | 142934 | 1 | 1/2" Coupling with Mounting Tabs |
| 16 | 128927 | 1 | 1/2" 24 VAC Direct Spark Ignition (DSI) Redundant Gas Valve (natural gas) ONLY |
| | 880960 | 1 | Direct Spark Ignition (DSI) Gas Valve (liquid propane [L.P.] gas) ONLY |
| 17 | 142506 | 1 | 1/2" x 1/2" Street Elbow |
| 18 | 318712 | 1 | Gas Valve Pipe Bracket |
| 19 | 882157 | 1 | 1/4" Aluminum Tubing (12" length) |
| 20 | 143203 | 1 | Aluminum Tubing Adapter |
| 21 | 143259 | 1 | Aluminum Tubing Compression Fitting |
| 22 | 151001 | 8 | #8-32 Pal Nut |
| 23 | 142805 | 1 | 1/2" x 3/4-1/2" Pipe |
| 24 | 153528 | 8 | #8-32 x 1/2" Self-Clinching Stud |
| 25 | 815974 | 1 | Direct Spark Ignition (DSI) Module Mounting Bracket (Johnson) |
| 26 | 141317 | 1 | 1/2" Bronze Union Elbow |
| 27 | 122701 | 2 | Socket Terminal ONLY |
| 28 | 122604 | 1 | 4-Pin Connector ONLY |
| 29 | 122700 | 2 | Pin Terminal ONLY |

* Orifice is not included and **must be** ordered separately.

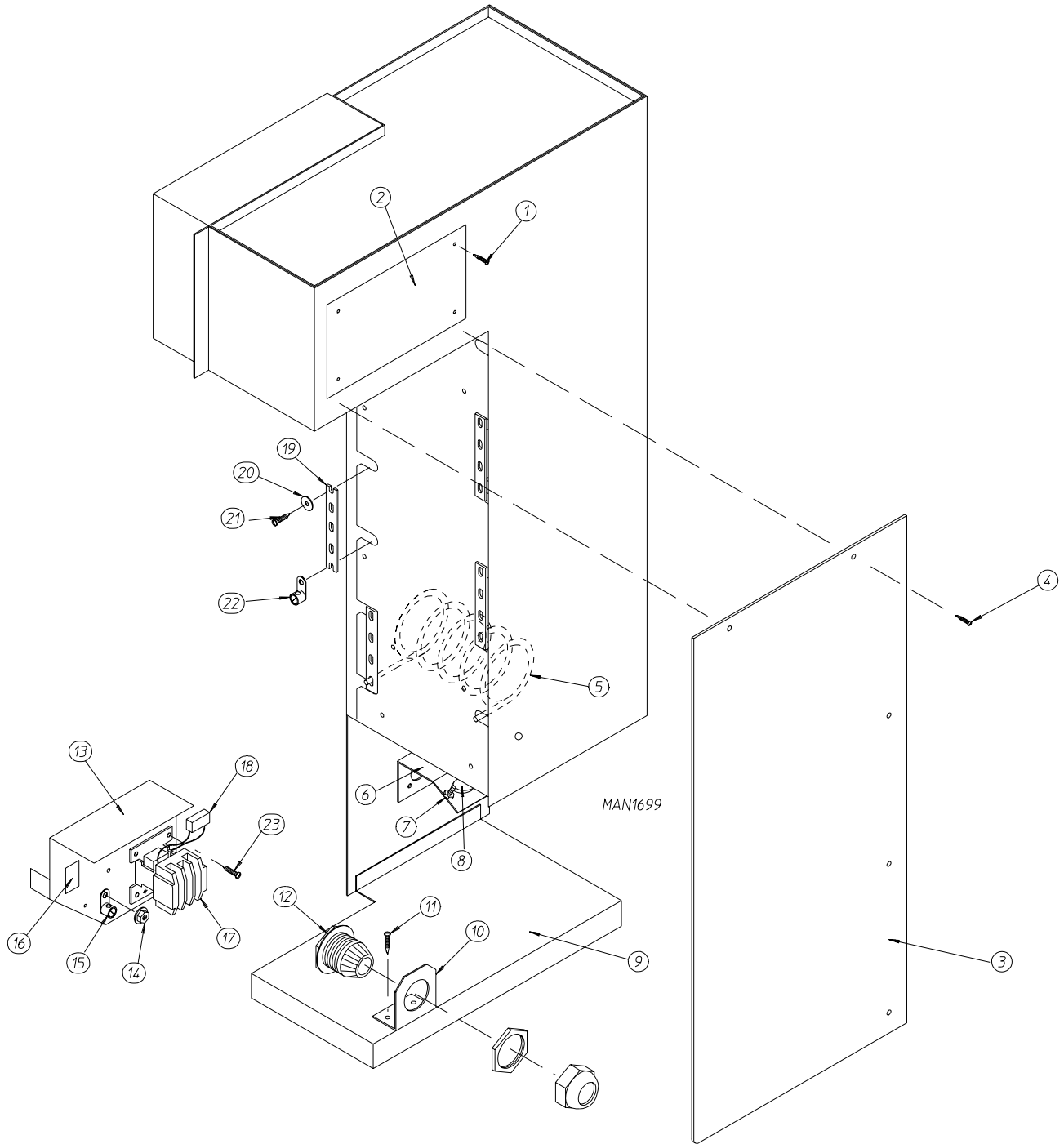
** Consult factory for elevations over 2,000 feet.



| <u>Illus. No.</u> | <u>Part No.</u> | <u>Qty.</u> | <u>Description</u> |
|-------------------|-----------------|-------------|---|
| 1 | 141130 | 1 | Up-Shot Burner |
| 2 | 128917 | 1 | Spark Ignitor |
| 3 | 128918 | 1 | Flame Sensor |
| 4 | 318009 | 1 | Burner Tube Bracket |
| 5 | 140823** | 1 | #26 Burner Orifice (natural gas) ONLY |
| | 140809** | 1 | #43 Burner Orifice (liquid propane [L.P.] gas) ONLY |
| 6 | 141225 | 1 | Single-Port Manifold |
| 7 | 318600 | 1 | Manifold Bracket |
| 8 | 883439* | 1 | Direct Spark Ignition (DSI) Natural Gas Train Assembly Complete (includes illus. nos. 1 through 4, 6 through 14, 16 through 22, and 24 through 26) |
| | 883438* | 1 | Direct Spark Ignition (DSI) Liquid Propane (L.P.) Gas Train Assembly Complete (includes illus. nos. 1 through 4, 6 through 14, 16 through 22, and 24 through 26) |
| | 319525 | 1 | AD-320 Gas Train Slide ONLY |
| 9 | 318711 | 1 | Notched Pipe Bracket |
| 10 | 128935 | 1 | Direct Spark Ignition (DSI) Module with Three Tries |
| 11 | 152013 | 2 | #6-32 Hex Nut |
| 12 | 121300 | 2 | Open/Closed Bushing |
| 13 | 150301 | 4 | #8-18 x 7/16" Phillips Pan Head TEK Screw |
| 14 | 121499 | 6 | 3/16" Push Mount Wire Tie |
| 15 | 142934 | 1 | 1/2" Coupling with Mounting Tabs |
| 16 | 128927 | 1 | 1/2" 24 VAC Direct Spark Ignition (DSI) Redundant Gas Valve (natural gas) ONLY |
| | 880960 | 1 | Direct Spark Ignition (DSI) Gas Valve (liquid propane [L.P.] gas) ONLY |
| 17 | 142506 | 1 | 1/2" x 1/2" Street Elbow |
| 18 | 318712 | 1 | Gas Valve Pipe Bracket |
| 19 | 882157 | 1 | 1/4" Aluminum Tubing (12" length) |
| 20 | 143203 | 1 | Aluminum Tubing Adapter |
| 21 | 143259 | 1 | Aluminum Tubing Compression Fitting |
| 22 | 151001 | 8 | #8-32 Pal Nut |
| 23 | 142809 | 1 | 1/2" x 29-1/8" Pipe |
| 24 | 153528 | 8 | #8-32 x 1/2" Self-Clinching Stud |
| 25 | 815974 | 1 | Direct Spark Ignition (DSI) Module Mounting Bracket (Johnson) |
| 26 | 141317 | 1 | 1/2" Bronze Union Elbow |
| 27 | 122701 | 2 | Socket Terminal ONLY |
| 28 | 122604 | 1 | 4-Pin Connector ONLY |
| 29 | 122700 | 2 | Pin Terminal ONLY |

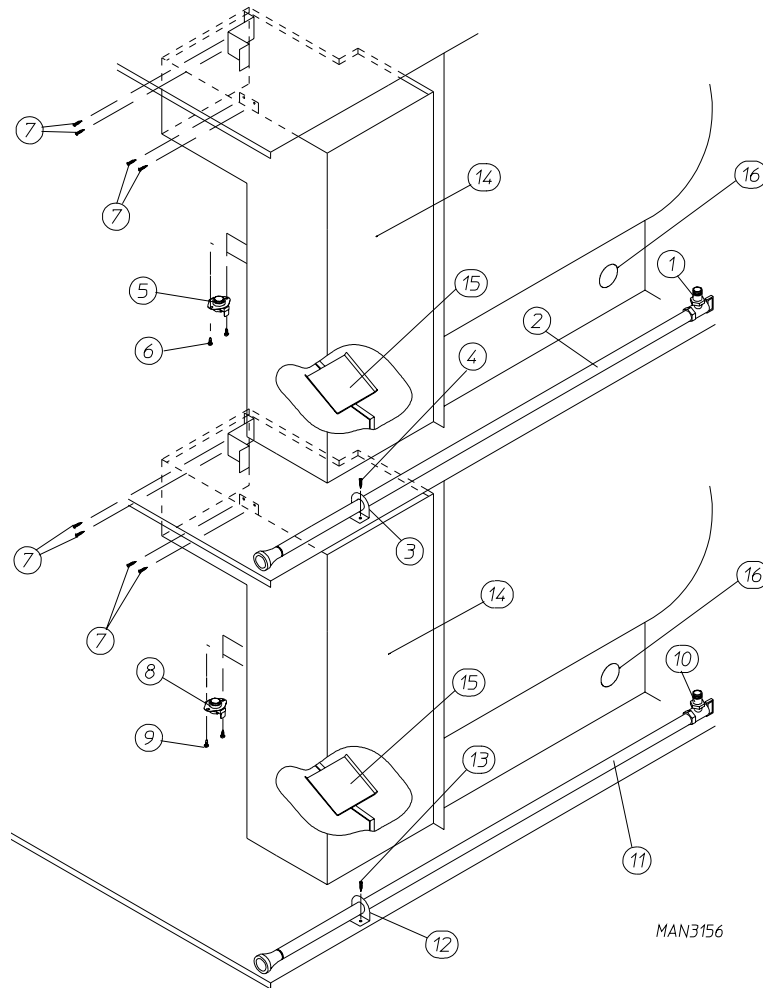
* Orifice is not included and **must be** ordered separately.

** Consult factory for elevations over 2,000 feet.

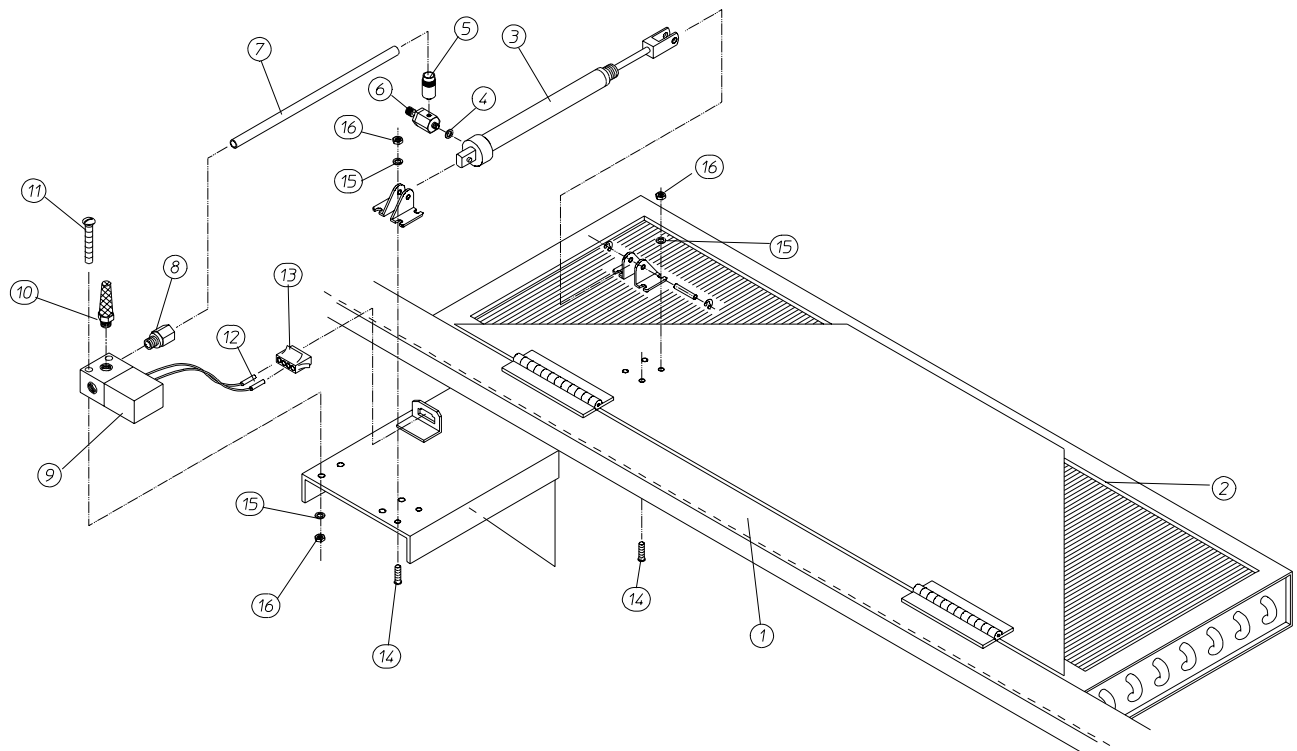


| <u>Illus. No.</u> | <u>Part No.</u> | <u>Qty.</u> | <u>Description</u> |
|-------------------|-----------------|-------------|--|
| 1 | 150300 | 4 | #10-16 x 1/2" Hex Washer TEK Screw |
| 2 | 318065 | 1 | Burner Box Clean Out Plate |
| 3 | 320656 | 1 | Back Plate Cover |
| 4 | 150302 | 5 | #6 x 3/8" Phillips Pan Head TEK Screw |
| 5 | ----- | 6 | Heating Elements (refer to Electric Oven Component Chart on page 47) |
| 6 | 319703 | 1 | Hi-Limit Bracket |
| 7 | 151001 | 2 | #8-32 Pal Nut |
| 8 | 130400 | 1 | 290° Thermostat |
| 9 | 320653 | 1 | ADE-330/ADE-320 Stainless Steel Electric Reflector |
| 10 | 318651 | 1 | ADE-330/ADE-320 Oven Wire Bracket |
| 11 | 150300 | 2 | #10-16 x 1/2" Hex Washer TEK Screw |
| 12 | 137027 | 1 | Strain Relief |
| 13 | 320655 | 1 | ADE-330/ADE-320 Contactor Bracket |
| 14 | 152014 | 1 | 1/4-20 Free Spin Wash Nut |
| 15 | 121010 | 1 | L-70 Terminal Lug |
| 16 | 112075 | 1 | "GROUND HERE" Label |
| 17 | ----- | 1 | Oven Contactor (refer to Electric Oven Component Chart on page 47) |
| 18 | 824828 | 1 | RC Network with Connectors |
| 19 | 121011 | * | Bus Bar |
| 20 | 153009 | 15 | #10 Star Washer |
| 21 | 150212 | 15 | #10-32 x 5/16" Phillips Pan Head Stainless Steel Screw |
| 22 | ----- | * | Terminal Lug (refer to Electric Oven Component Chart on page 47) |
| 23 | 150309 | 4 | #10-16 x 1/2" Hex Head TEK Crimptite Screw |

* As required.



| <u>Illus. No.</u> | <u>Part No.</u> | <u>Qty.</u> | <u>Description</u> |
|-------------------|-----------------|-------------|--|
| 1 | 881367 | 1 | 1/2" Union Shut Off with Tail Piece |
| 2 | 142805 | 1 | 1/2" x 34-1/2" Pipe (for ADG-330 Only) |
| | 142809 | 1 | 1/2" x 29-1/8" Pipe (for ADG-320 Only) |
| 3 | 318700 | 1 | Pipe Bracket |
| 4 | 150300 | 2 | #10-16 x 1/2" Hex Washer TEK Screw |
| 5 | 130403 | 1 | 330° Burner Hi-Limit Thermostat |
| 6 | 150300 | 2 | #10-16 x 1/2" Hex Washer TEK Screw |
| 7 | 150309 | 8 | #10-16 x 1/2" Hex Head TEK Crimptite Screw |
| 8 | 130403 | 1 | 330° Burner Hi-Limit Thermostat |
| 9 | 150300 | 2 | #10-16 x 1/2" Hex Washer TEK Screw |
| 10 | 881367 | 1 | 1/2" Union Shut Off with Tail Piece |
| 11 | 142805 | 1 | 1/2" x 34-1/2" Pipe (for ADG-330 Only) |
| | 142809 | 1 | 1/2" x 29-1/8" Pipe (for ADG-320 Only) |
| 12 | 318700 | 1 | Pipe Bracket |
| 13 | 150300 | 2 | #10-16 x 1/2" Hex Washer TEK Screw |
| 14 | 850854 | 2 | ADG-330/ADG-320 Burner Box without Flame Spreader |
| 15 | 850912 | 2 | ADG-330/ADG-320 Flame Spreader |
| 16 | ----- | - | Sail Switch (refer to Sail Switch Assembly on page 42) |

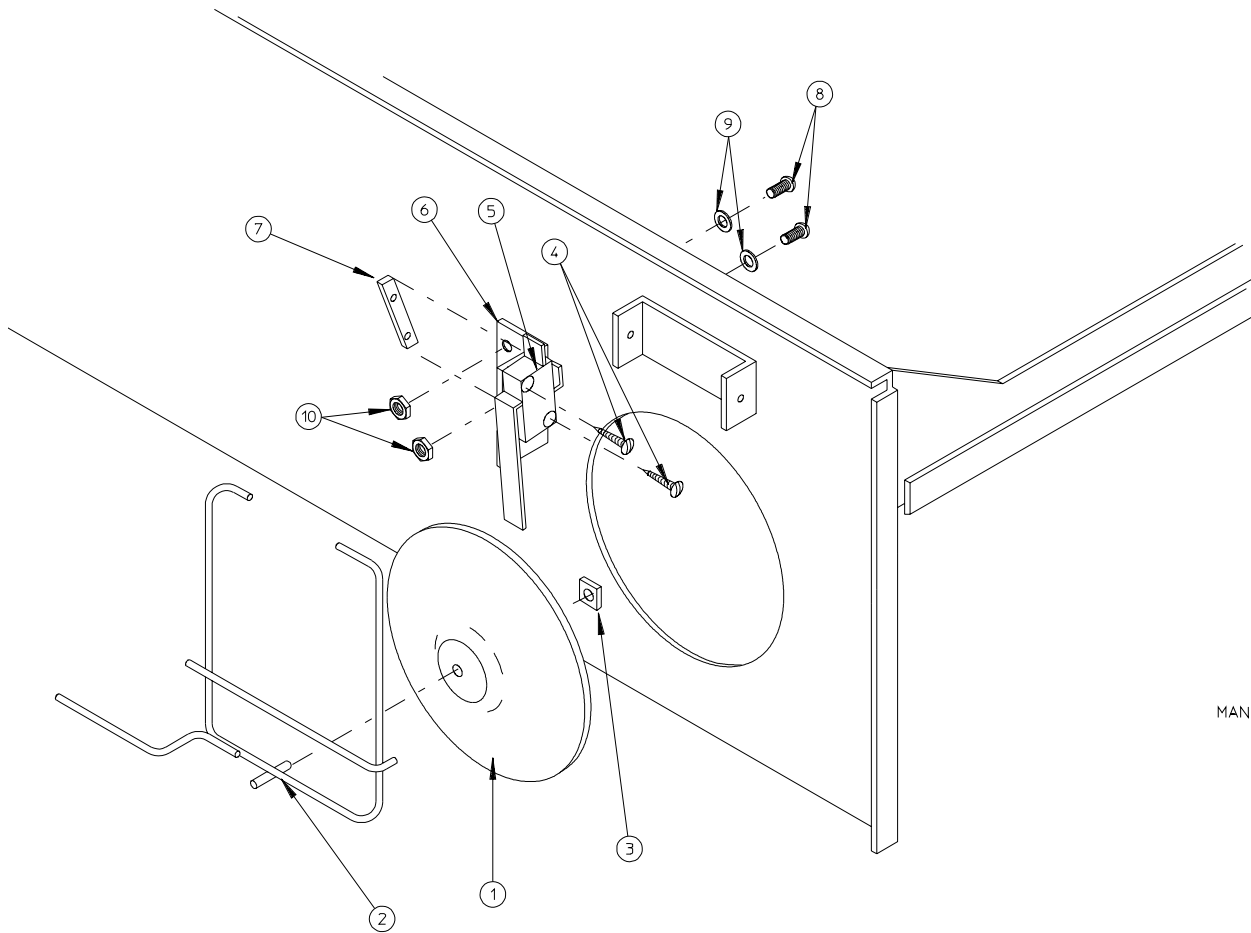


MAN6552

JNERY 2/26/03

| <u>Illus. No.</u> | <u>Part No.</u> | <u>Qty.</u> | <u>Description</u> |
|-------------------|-----------------|-------------|--|
| 1 | 850875 | 1 | ADS-330/ADS-320 Steam Damper Assembly |
| 2 | 165035 | 1 | ADS-330/ADS-320 Steam Coil Assembly |
| 3 | 100540 | 1 | Steam Damper Piston (cylinder) Assembly with Pivots and Clevis (includes illus. nos. 4 through 10) |
| 4 | 115994 | 1 | Needle Valve Gasket |
| 5 | 100471 | 1 | 1/4" x 10/32" Connector (male) |
| 6 | 100534 | 1 | Needle Valve |
| 7 | 143110 | 1 | 1/4" Poly-Flo Tubing |
| 8 | 100472 | 1 | 1/4" Poly x 1/8" M.P.T. Connector |
| 9 | 100498 | 1 | 3-Way Micro Valve |
| 10 | 100520 | 1 | 1/8" N.P.T. Silencer (muffler) |
| 11 | 150002 | 2 | #6-32 x 1" Round Head Machine Screw |
| 12 | 122701 | 2 | Socket Terminal ONLY |
| 13 | 122605 | 1 | 4-Pin Socket Connector (female) |
| | 122801 | 1 | Pin/Socket Extraction Tool...Not Illustrated |
| 14 | 153560 | 8 | #6-32 x 1/2" Self-Clinching Stud |
| 15 | 153008 | 10 | #6 Lock Washer |
| 16 | 152013 | 10 | #6-32 Hex Nut |

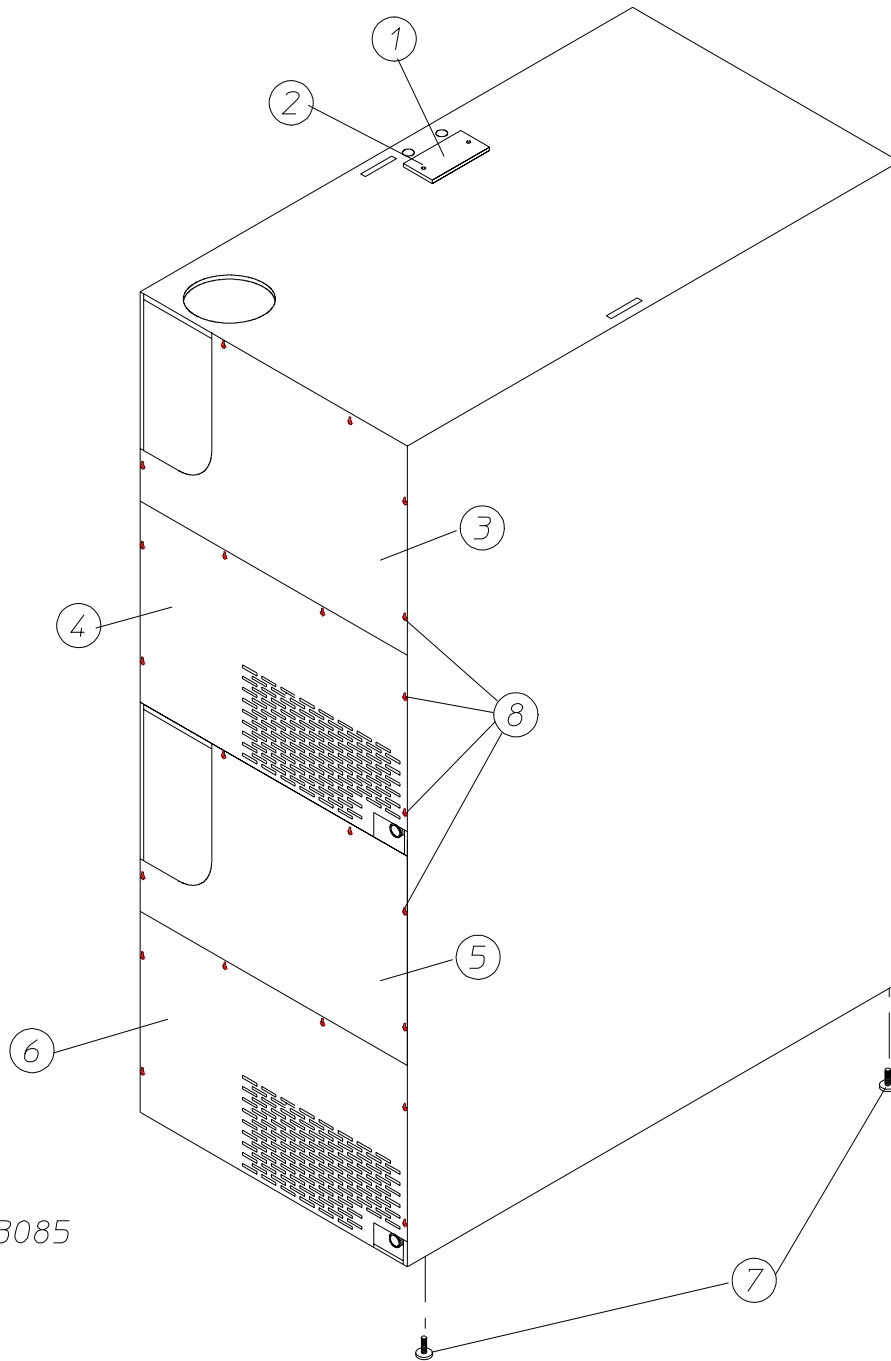
UPPER SAIL SWITCH ASSEMBLY



MAN0570

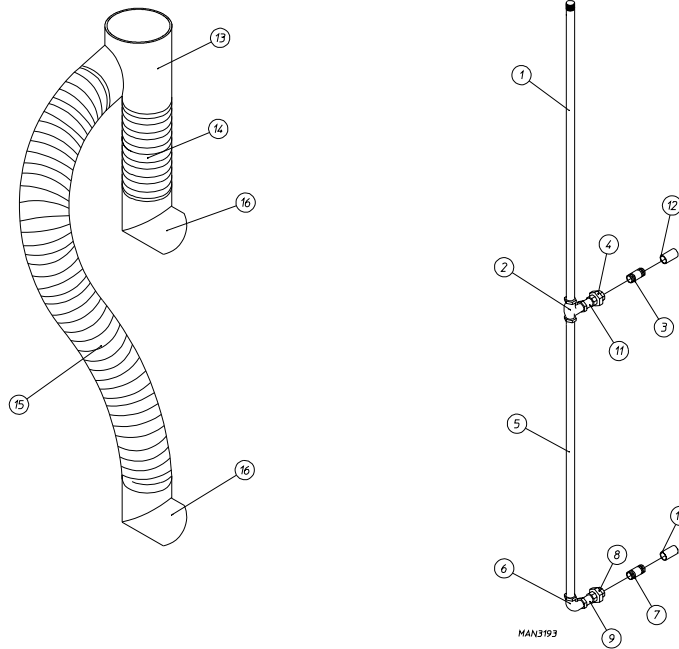
NOTE: DUPLICATE ALL COMPONENTS FOR LOWER SAIL SWITCH ASSEMBLY

| Illus. No. | Part No. | Qty. | Description |
|------------|----------|------|---|
| 1 | 319202 | 1 | Sail Switch Damper |
| | 802805 | 1 | AD-330/AD-320 Sail Switch Rod and Damper Assembly (includes illus. nos. 1 through 3) |
| 2 | 105550 | 1 | AD-330/AD-320 Sail Switch Rod |
| 3 | 154002 | 1 | 1/8" Push On Fastener |
| 4 | 150303 | 2 | #4 x 3/4" Pan Head "A" Machine Screw |
| 5 | 122200 | 1 | Sail Switch ONLY |
| | 802807 | 1 | AD-330/AD-320 Sail Switch Bracket Assembly (includes illus. nos. 4 through 7) |
| 6 | 319208 | 1 | AD-330/AD-320 Sail Switch Bracket |
| 7 | 154004 | 1 | Twin Speed Nut |
| 8 | 150001 | 2 | #6-32 x 1/2" Round Head Machine Screw |
| 9 | 153010 | 2 | #6 Star Washer |
| 10 | 152000 | 2 | #6-32 Hex Nut |



MAN3085

| <u>Illus. No.</u> | <u>Part No.</u> | <u>Qty.</u> | <u>Description</u> |
|-------------------|-----------------|-------------|--|
| 1 | 315014 | 1 | Top Electric Box Cover Plate |
| 2 | 150309 | 2 | #10-16 x 1/2" Hex Head TEK Crimptite Screw |
| 3 | 314404 | 1 | AD-330/AD-320 Top Upper Guard |
| 4 | 314405 | 1 | AD-330/AD-320 Top Lower Guard |
| 5 | 314404 | 1 | AD-330/AD-320 Bottom Upper Guard |
| 6 | 314405 | 1 | AD-330/AD-320 Bottom Lower Guard |
| 7 | 103500 | 4 | Adjustable Leveling Leg |
| 8 | 150309 | 22 | #10-16 x 1/2" Hex Head TEK Crimptite Screw |



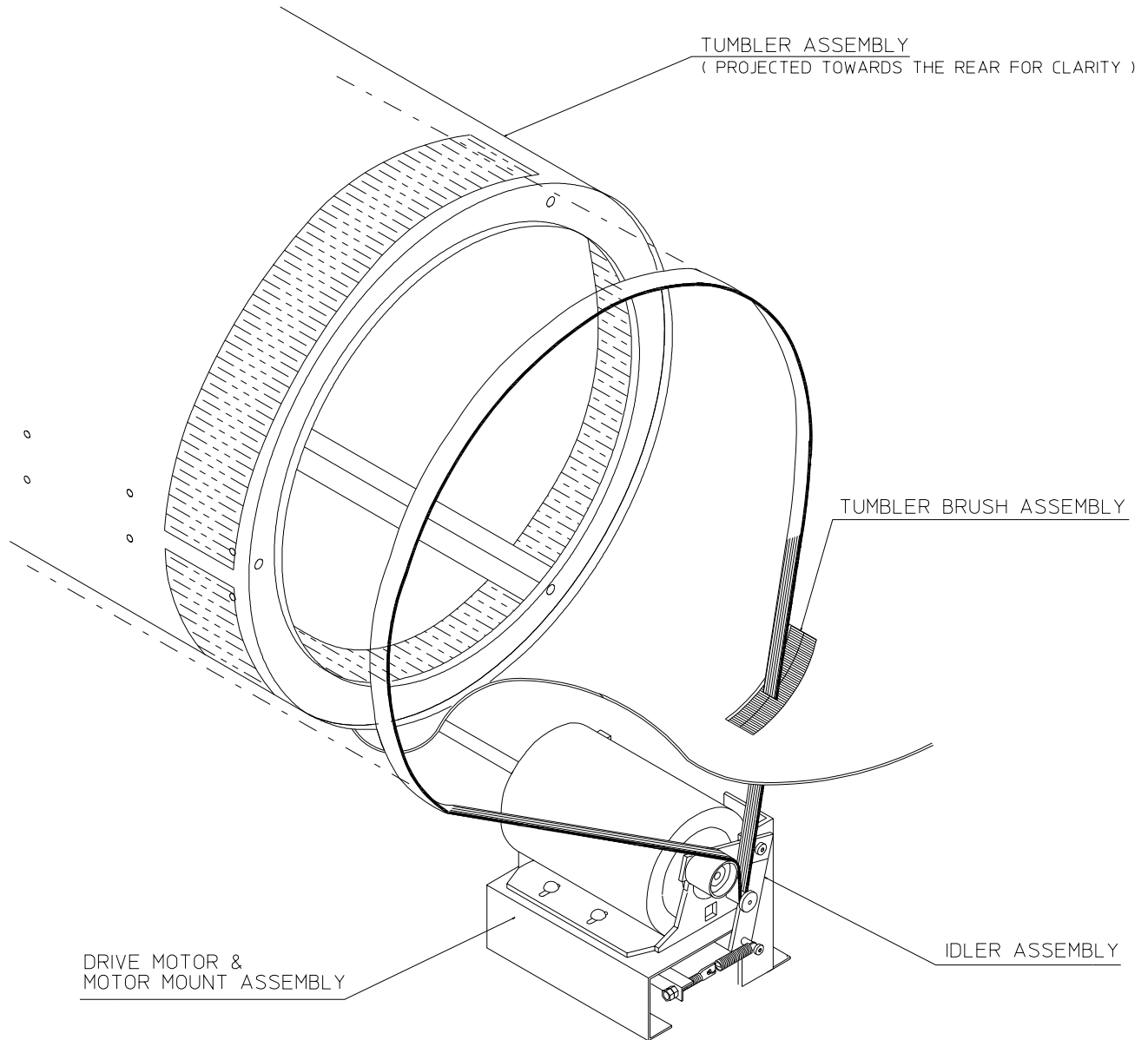
ADG-330/ADG-320 Optional Gas Piping Kit

| <u>Illus. No.</u> | <u>Part No.</u> | <u>Qty.</u> | <u>Description</u> |
|-------------------|-----------------|-------------|---|
| --- | 880128 | 1 | ADG-330/ADG-320 Gas Piping Kit (includes illus. nos. 1 through 12) |
| 1 | 142821 | 1 | 3/4" x 36" Pipe |
| 2 | 142505 | 1 | 3/4" x 1/2" x 1/2" Tee |
| 3 | 142814 | 1 | 1/2" x 2-1/2" Nipple |
| 4 | 142600 | 1 | 1/2" Union |
| 5 | 142824 | 1 | 1/2" x 37-1/4" Pipe |
| 6 | 142500 | 1 | 1/2" x 90° Elbow |
| 7 | 142814 | 1 | 1/2" x 2-1/2" Nipple |
| 8 | 142600 | 1 | 1/2" Union |
| 9 | 142700 | 1 | 1/2" Close Nipple |
| 10 | 143001 | 1 | 1/2" Coupling |
| 11 | 142700 | 1 | 1/2" Close Nipple |
| 12 | 143001 | 1 | 1/2" Coupling |

ADG-330/ADG-320 Optional Exhaust Ducting Kit

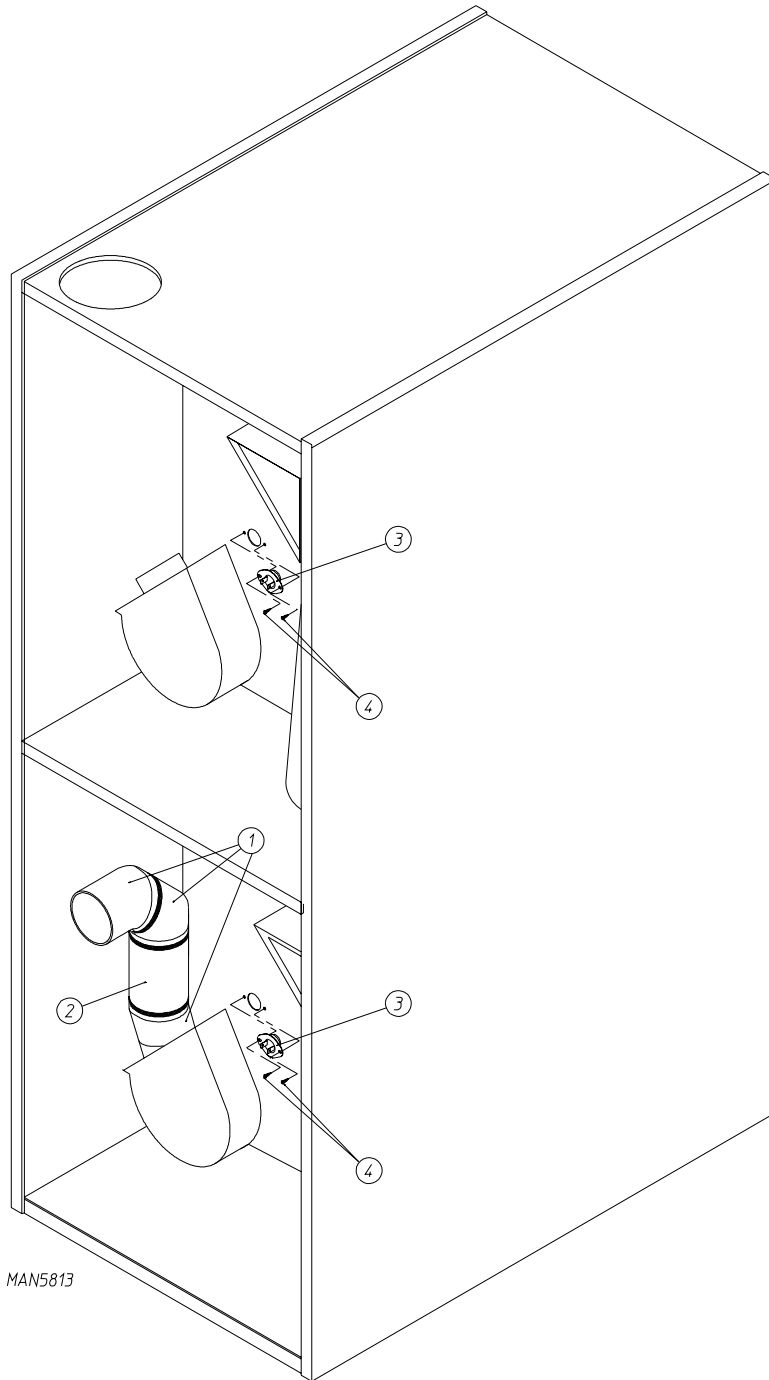
| | | | |
|-----|---------|----|---|
| --- | 882035 | 1 | AD-330/AD-320 Exhaust Ducting Kit (includes illus. nos. 13 through 16) |
| 13 | 143600 | 1 | 10" x 6" x 6" Wye Branch Duct |
| 14 | 143519 | 1 | 6" Round x 4' Long Flexible Exhaust Duct |
| 15 | 143509 | 1 | 6" Round x 8' Long Flexible Exhaust Duct |
| 16 | 143536 | 2 | 6" Round x 45° Elbow |
| --- | 150300* | 12 | #10-16 x 1/2" Hex Washer TEK Screw |
| --- | 117505* | 12 | Aluminum Duct Tape (sold by the foot) |

* Included with Exhaust Ducting Kit (ADC Part No. 882035).



MAN0433

12-RIB 95" (J) POLY BELT ARRANGEMENT



MAN5813

MFM 06/20/01

| <u>Illus. No.</u> | <u>Part No.</u> | <u>Qty.</u> | <u>Description</u> |
|-------------------|-----------------|-------------|---------------------------------------|
| 1 | 143536 | 2 | 6" Round x 45° Elbow |
| 2 | 143545 | 1 | 6" Round x 6" Long Duct |
| - | 117505* | 5 | Aluminum Duct Tape (sold by the foot) |
| 3 | 130107 | 2 | Cabinet Hi-Limit 160° |
| 4 | 150301 | 4 | #8-18 x 7/16" Phillips Pan Head Screw |

* Tape **ALL** joints.

| OVEN SIZE (KW) | SERVICE VOLTAGE | PHASE | WIRE SIZE | ELECTRIC OVEN ASSEMBLY* | ELEMENTS | | | OVEN WIRE | | | TERMINAL LUG | | BUS BAR | ELECTRIC OVEN RELAY | |
|----------------|-----------------|-------|-----------|-------------------------|----------|---------|----------|-----------|------|----------|--------------|----------|-----------------|---------------------|----------|
| | | | | | QTY. | KW SIZE | PART NO. | QTY. | SIZE | PART NO. | QTY. | PART NO. | PART NO. 112011 | CAT. NO. | PART NO. |
| 15 | 208 | 1∅ | 2 | 824957 | 6 | 2.5 | 120036 | 1 | #4 | 830421 | 1 | 121012 | 6' | DPA 73 | 131376 |
| 15 | 240 | 1∅ | 2 | 843243 | 6 | 2.5 | 120040 | 1 | #4 | 830421 | 1 | 121012 | 6' | DPA 63 | 131369 |
| 15 | 208 | 3∅ | 3 or 4 | 883802 | 6 | 2.5 | 120036 | 1 | #8 | 830422 | 1 | 121012 | 2' | DPA 43 | 131357 |
| 15 | 240 | 3∅ | 3 or 4 | 883803 | 6 | 2.5 | 120040 | 1 | #8 | 830422 | 1 | 121010 | 2' | DPA 43 | 131357 |
| 15 | 380 | 3∅ | 3 or 4 | 883804 | 6 | 2.5 | 120038 | 1 | #8 | 830423 | 1 | 121010 | 2' | DPA 33 | 131352 |
| 15 | 416 | 3∅ | 3 or 4 | 883805 | 6 | 2.5 | 120036 | 1 | #8 | 830423 | 1 | 121010 | 2' | DPA 33 | 131352 |

* When ordering electric oven assembly complete, specify 3-wire or 4-wire when applicable.

| STEP DOWN TRANSFORMER USAGE LISTING | | | | |
|--|----------------|---------------|---------------------|--------------------------------|
| HEAT | VOLTAGE | PHASE | WIRE SERVICE | TRANSFORMER PART NUMBER |
| ELECTRIC | 208 | 1 \emptyset | 2 | 132063 |
| | 240 | 1 \emptyset | 2 | 132070 |
| | 208 | 3 \emptyset | 3 or 4 | 141403 |
| | 240 | 3 \emptyset | 3 or 4 | 141403 |
| | 380 | 3 \emptyset | 3 or 4 | 141403 |
| | 460/480 | 3 \emptyset | 3 or 4 | 141403 |

| <u>Part No.</u> | <u>Description</u> |
|-----------------|---|
| 100405 | Bearing Puller (for fan [impellor] shaft bearing) |
| 112039 | “Black/White/Green Ground” Label |
| 112119 | Phase 5 Dual Microprocessor Controller (DMC) User’s Manual |
| 112144 | AD-330/AD-320 Installation Manual |
| 112530 | “Program Location Summary” Coin Label |
| 114001 | “CAUTION - Exhaust/Lint Screen” Label |
| 114006 | “WARNING - Fire Hazards” Label |
| 120802 | Red Butt Connector |
| 120903 | #74B Wire Nut |
| 121014 | Crimp-On Wire Nut |
| 121499 | 5-1/2” Harness Tie |
| 121500 | 8” Harness Tie |
| 121503 | Harness Tie Mounting Clip |
| 112804 | Manometer (hydro gauge) for Measuring Gas Pressure |
| 112280 | “Lint Compartment” Label |
| 404500 | Almond Brush-In-Cap Bottle Touch-Up Paint |
| 404502 | White Brush-In-Cap Bottle Touch-Up Paint |
| 404506 | Beige Brush-In-Cap Bottle Touch-Up Paint |
| 404507 | Cornflower Blue Brush-In-Cap Bottle Touch-Up Paint |
| 404515 | Coral Blue Brush-In-Cap Bottle Touch-Up Paint |
| 404516 | Ivory Brush-In-Cap Bottle Touch-Up Paint |
| 410001 | 1/2” Allen Wrench (for gas valve tail piece removal) |
| 450403 | ADG-320D and ADG-330 Service Procedures |
| 450142 | ADC Direct Spark Ignition (DSI) Technical Manual |
| 450426 | Johnson Controls Direct Spark Ignition (DSI) Technical Manual |
| 880200 | Electrical Terminal (assortment) Kit |
| 880884 | Basket (tumbler) Puller Assembly |
| 881299 | Loctite Adhesive Kit (for setscrews) |

ADC450212

1 - 08/21/02-25

2* 04/24/03-20

