

AD-200 Parts Manual Phase 4

(for models mfd. prior to 1992)

American Dryer Corporation
88 Currant Road
Fall River, MA 02720-4781
Telephone: (508) 678-9010 / Cable: AMDRY / Fax: (508) 678-9447

Retain This Manual In A Safe Place For Future Reference

American Dryer Corporation products embody advanced concepts in engineering, design, and safety. If this product is properly maintained, it will provide many years of safe, efficient, and trouble-free operation.

ONLY properly licensed technicians should service this equipment.

Observe all safety precautions displayed on the equipment or specified in the Installation/Operator's Manual included with the dryer.

WARNING: UNDER NO CIRCUMSTANCES should the dryer door switch or the heat circuit devices ever be disabled.

WARNING: The dryer must never be operated with any of the back guards, outer tops, or service panels removed. PERSONAL INJURY or FIRE COULD RESULT.

We have tried to make this manual as complete as possible and hope you will find it useful. ADC reserves the right to make changes from time to time, without notice or obligation, in prices, specifications, colors, and materials and to change or discontinue models.

Important

For your convenience, log the following information:

DATE OF PURCHASE _____ MODEL NO. AD-200

DISTRIBUTOR'S NAME _____

Serial Number(s) _____

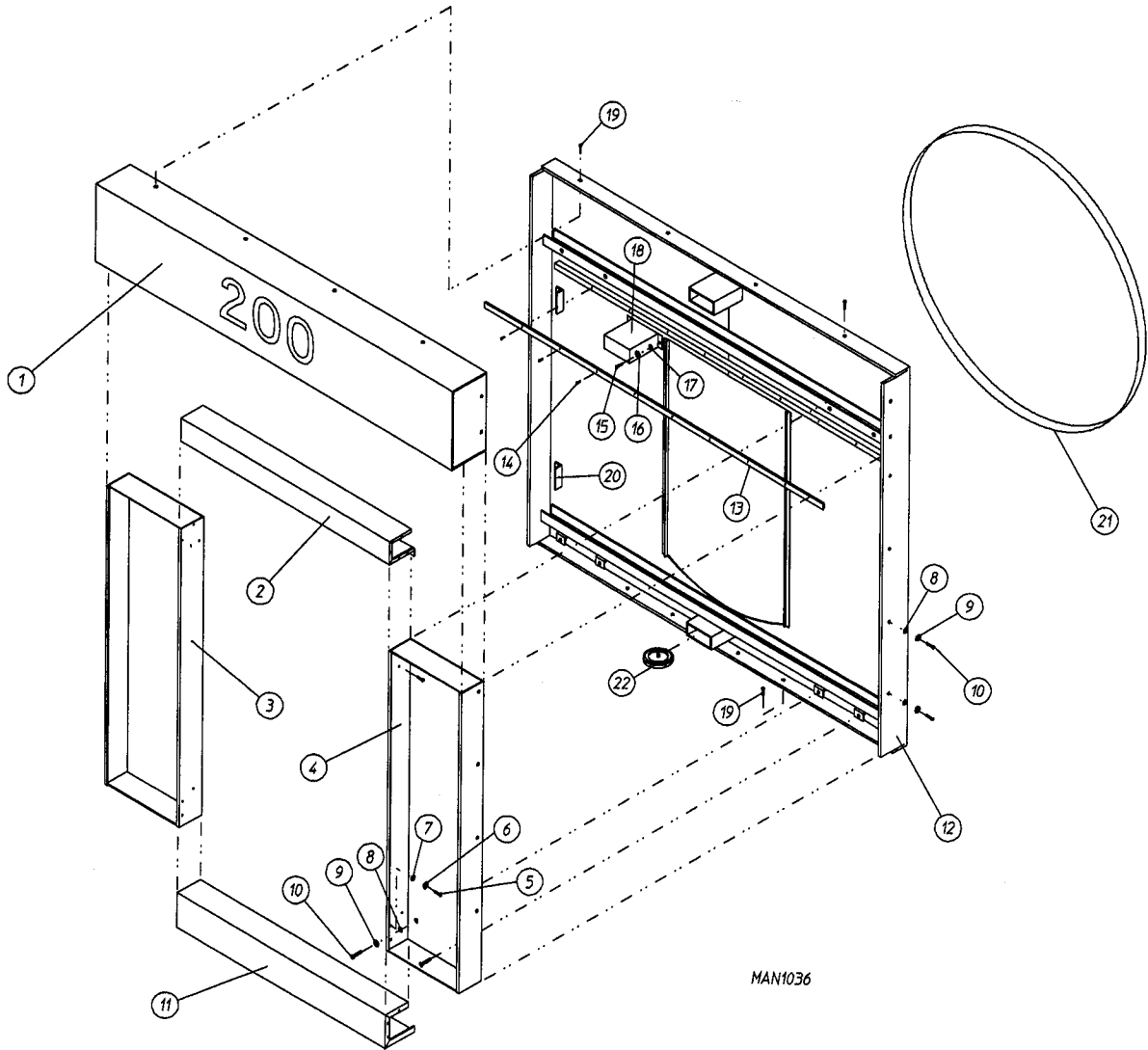
Replacement parts can be ordered from your distributor or the ADC factory. When ordering replacement parts from the factory, you can fax your order to ADC at (508) 678-9447 or telephone your orders directly to the ADC Parts Department at (508) 678-9010. Please specify the dryer model number and serial number in addition to the description and part number, so that your order is processed accurately and promptly.

The illustrations on the following pages may not depict your particular dryer exactly. The illustrations are a composite of the various dryer models. Be sure to check the descriptions of the parts thoroughly before ordering.

INSTRUCTIONS TO BE FOLLOWED IN THE EVENT THE USER
SMELLS GAS MUST BE POSTED IN A PROMINENT LOCATION. THE
INSTRUCTIONS TO BE POSTED SHALL BE OBTAINED FROM THE
LOCAL GAS SUPPLIER.

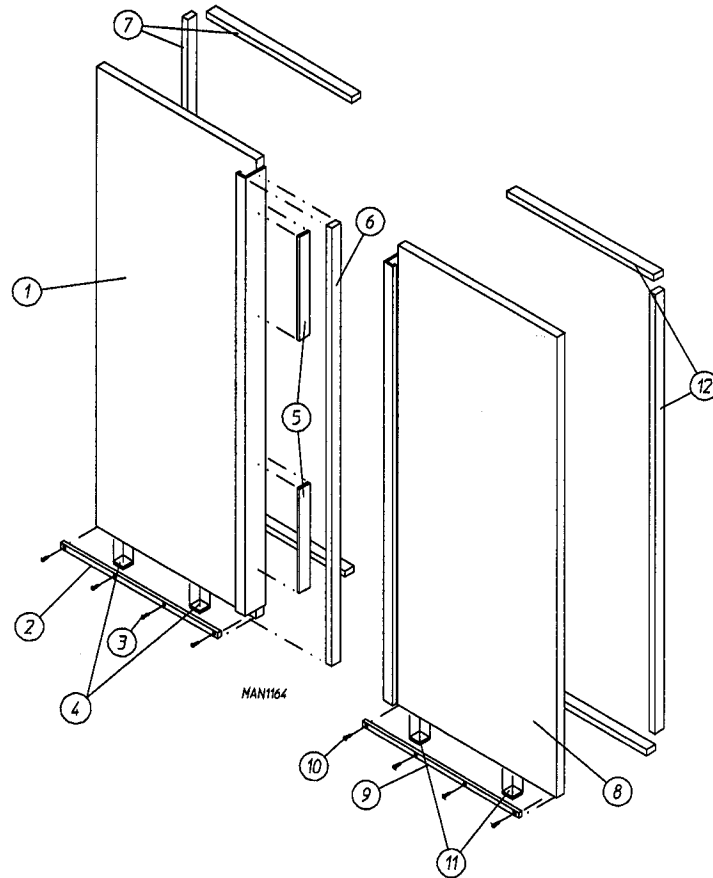
Table of Contents

AD-200 Front Panel Assembly	2, 3
AD-200 Left and Right Load Door Assemblies	4
AD-200 Door Slide Assembly	5
Magnetic Door Switch Assembly	6
AD-200 Left and Right Control Doors	7
AD-200 Side Panel Assemblies	8
AD-200 Back Panel Assembly	9
AD-200 Left Hand Control Panel Assembly	10, 11
AD-200 Right Hand Control Panel Assembly	12
AD-200 Lint Basket Assembly	13
AD-200 Tumbler and Idler Shaft Assemblies	14, 15
AD-200 Drive Shaft Assembly	16
AD-200 Tumbler Retaining Wheel Assembly	17
AD-200 Drive Motor Assembly	18, 19
AD-200 Blower Motor Assembly	20, 21
Temperature Sensor Bracket	22
DSI Module Assembly	23
ADG-200 Gas Burner Assembly	24, 25
Sail Switch Assembly	26
Air Jet Assembly	27
ADS-200 Steam Coil Assembly	28, 29
AD-200 Back Guard Assembly	30



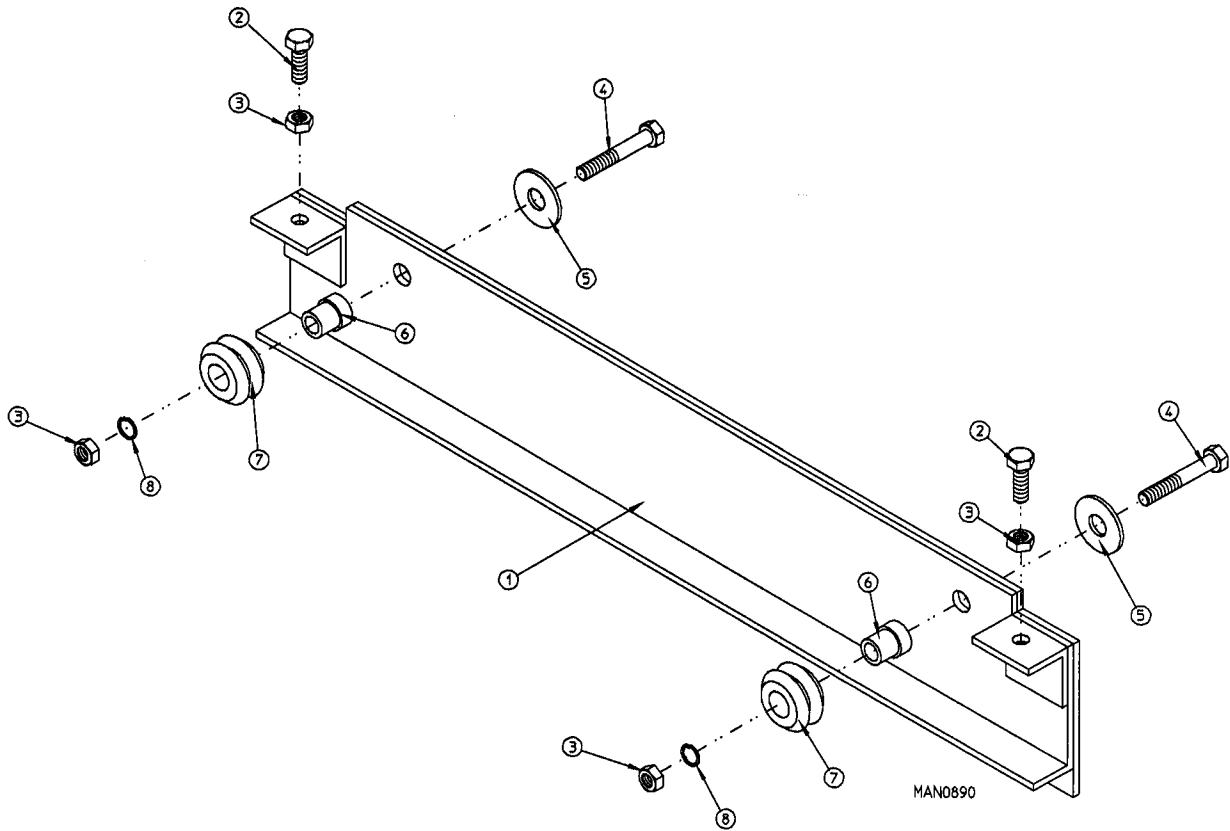
<u>Illus. No.</u>	<u>Part No.</u>	<u>Qty.</u>	<u>Description</u>
1*	821241	1	AD-200 Upper Guard ONLY
2*	821239	1	AD-200 Middle Guard ONLY
3*	821236	1	AD-200 Left Control Door Cabinet
4*	821238	1	AD-200 Right Control Cabinet
5	150510	12	#1/4-20 x 3/4" Hex Head Machine Bolt
6	153007	12	1/4" Lock Washer
7	153018	12	1/4" Flat Washer
8	153001	20	5/16" Flat Washer
9	153002	20	5/16" Lock Washer
10	150501	20	#5/16-18 x 3/4" Hex Head Machine Bolt
11*	821285	1	AD-200 Bottom Guard ONLY
12*	821237	1	AD-200 Front Panel ONLY
13	170365	1	AD-200 Upper Door Track ONLY
14	154312	15	#10-32 x 3/4" Socket Head Cap Screw
15	152002	4	#1/4-20 Hex Nut
16	153007	4	1/4" Lock Washer
17	153018	4	1/4" Flat Washer
18*	821244	1	AD-200 Tumbler Retaining Wheel Cover
19	150523	10	#1/4-20 x 3/4" Hex Washer Machine Bolt
20	115998	8	Felt (sold by the inch)
21	115998	180	Felt (sold by the inch)
22	-----	—	Tumbler Retaining Wheel (refer to AD-200 Tumbler Retaining Wheel Assembly on page 17)

* Specify color when ordering.



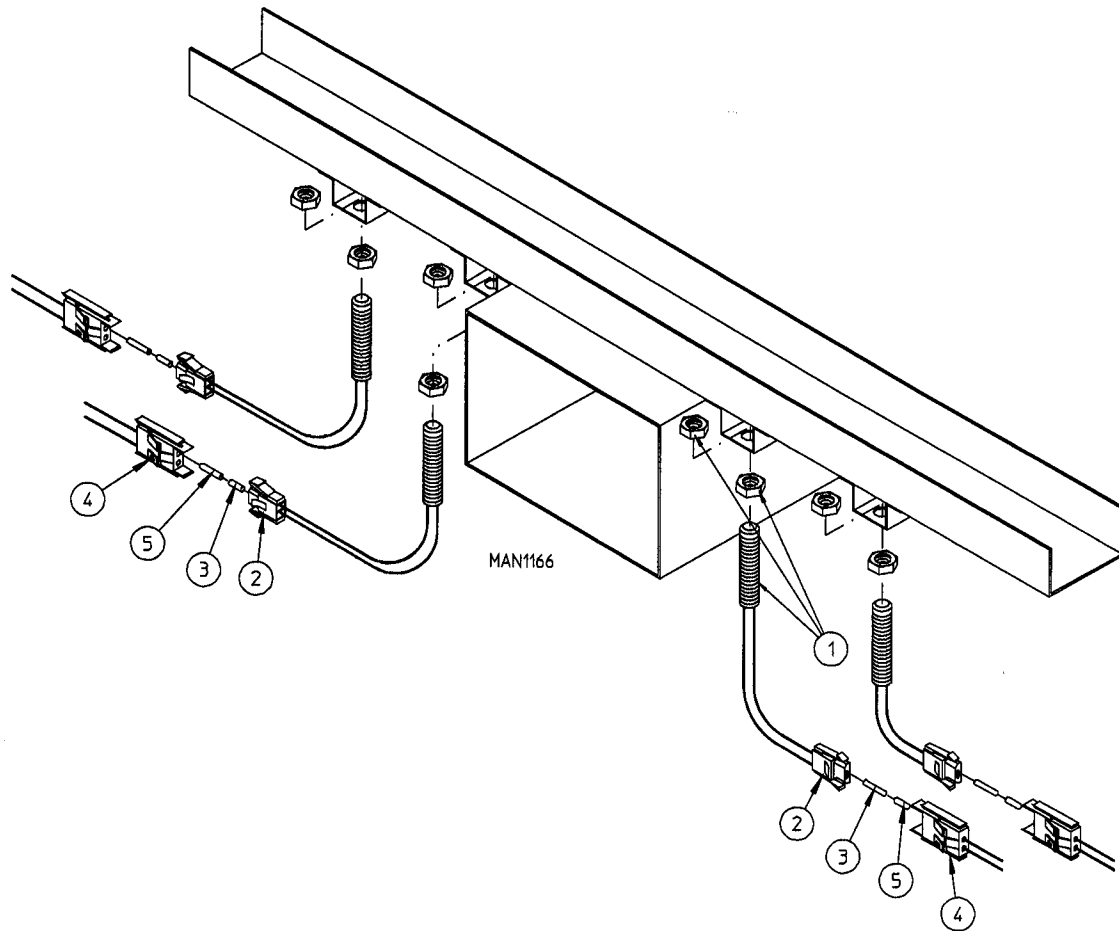
Illus. No.	Part No.	Qty.	Description
1*	880812	1	AD-200 Left Side Load Door Assembly (includes illus. nos. 1 through 7)
	821226	1	AD-200 Load Door Assembly ONLY
2	170357	1	AD-200 Lower Door Slide
3	150301	4	#8-18 x 7/16" Phillips Pan Head TEK Screw
4	170605	2	Sensor Magnet
5	170600	2	Door Magnet
6	102375	1	Door Gasket
7	116005	78	Door Felt (sold by the inch)
8*	880813	1	AD-200 Right Side Load Door Assembly (includes illus. nos. 8 through 12)
	821226	1	AD-200 Load Door Assembly ONLY
9	170357	1	AD-200 Lower Door Slide
10	150301	4	#8-18 x 7/16" Phillips Pan Head TEK Screw
11	170605	2	Sensor Magnet
12	116005	78	Door Felt (sold by the inch)

* Specify color when ordering.



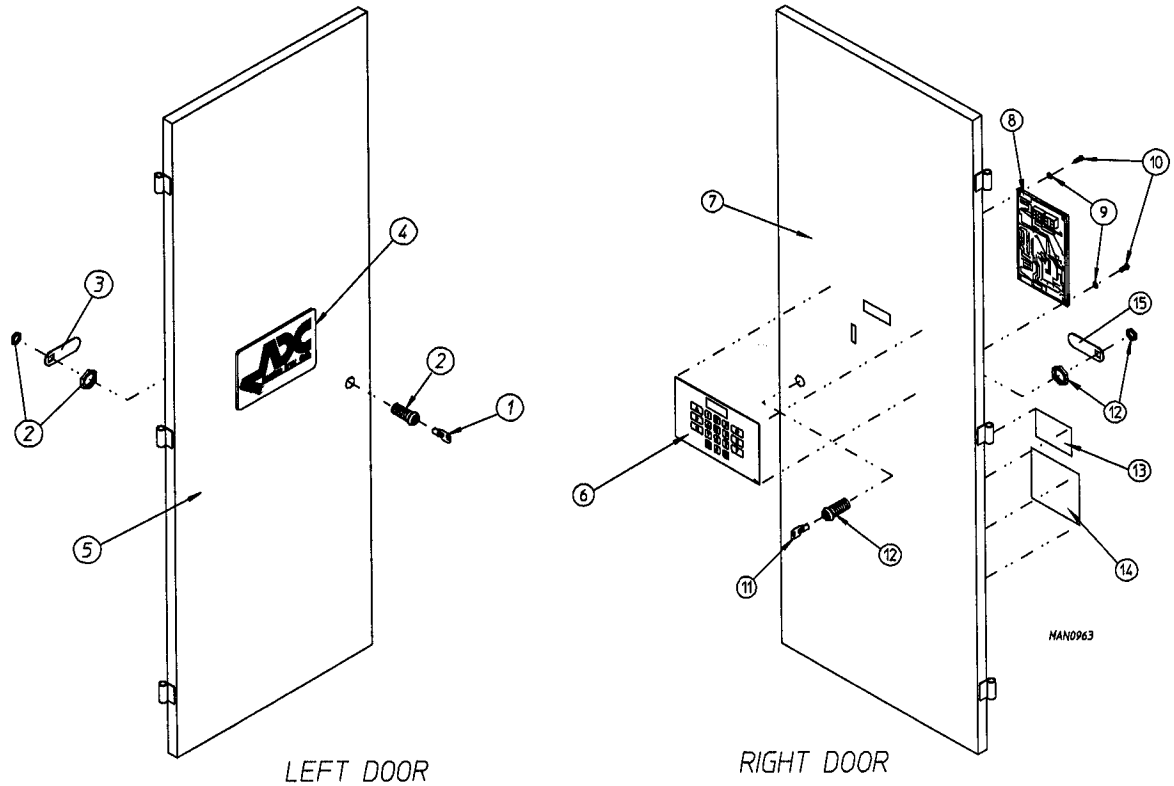
Illus. No.	Part No.	Qty.	Description
1*	821340	1	AD-200 Top Mounting Bracket Door Slide Assembly Complete (includes illus. nos. 1 through 8)
	821245	1	AD-200 Top Mounting Bracket Door Slide Weldment ONLY
2	150510	2	#1/4-20 x 3/4" Hex Head Machine Bolt
3	152002	4	#1/4-20 Hex Nut
4	150112	2	#1/4-20 x 1 1/4" Hex Head Machine Screw
5	153018	2	1/4" Flat Washer
6	170367	2	AD-200 Door Slide Wheel Bushing
7	170366	2	AD-200 Door Slide Wheel
8	153007	2	1/4" Lock Washer

* Specify color when ordering.



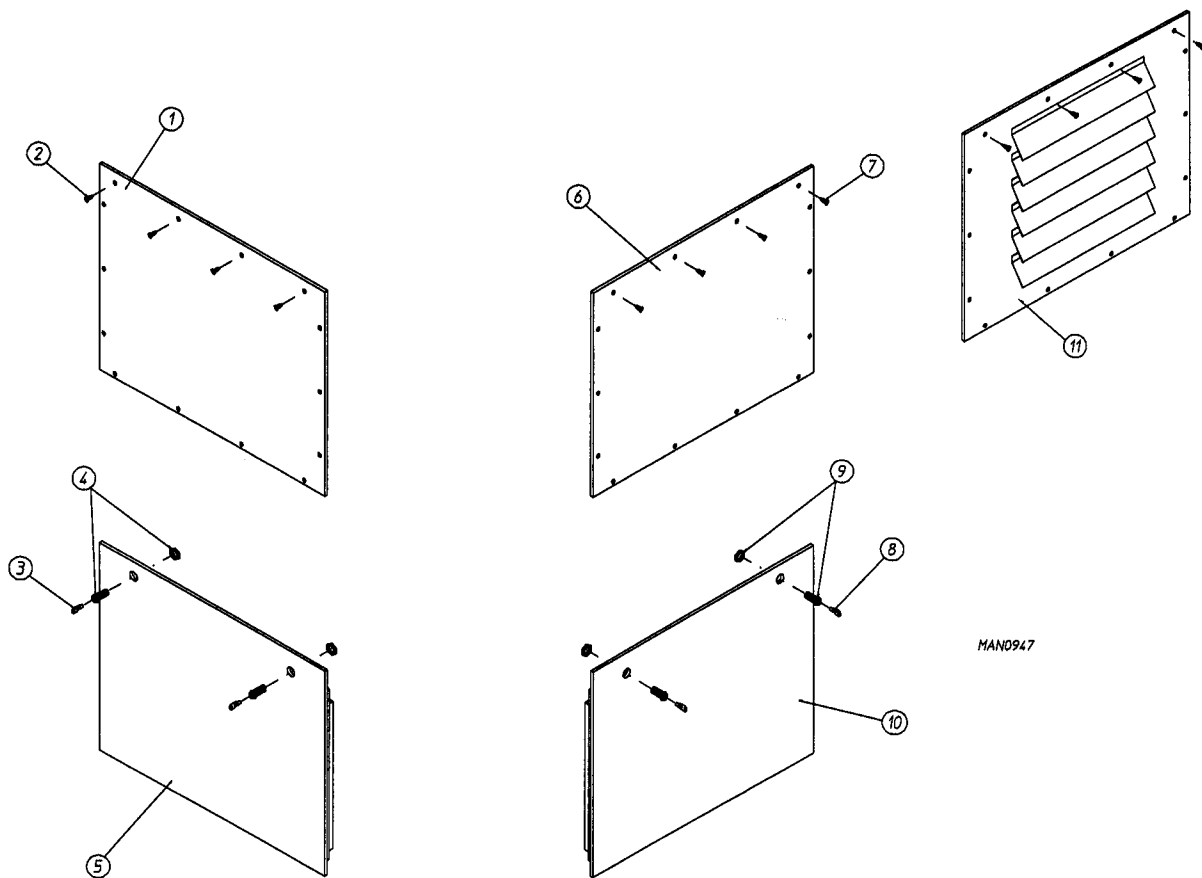
Illus. No.	Part No.	Qty.	Description
------------	----------	------	-------------

1	880783	4	Magnetic Door Switch Assembly with Nuts (includes illus. nos. 1, 2, and 3)
2	122599	4	2-Pin Microprocessor Socket Connector (female)
3	137021	8	Microprocessor Sockets (female)
4	122598	4	2-Pin Microprocessor Pin Connector (male)
5	137028	8	Microprocessor Pin (male)
	122800	1	Microprocessor Pin Extraction Tool



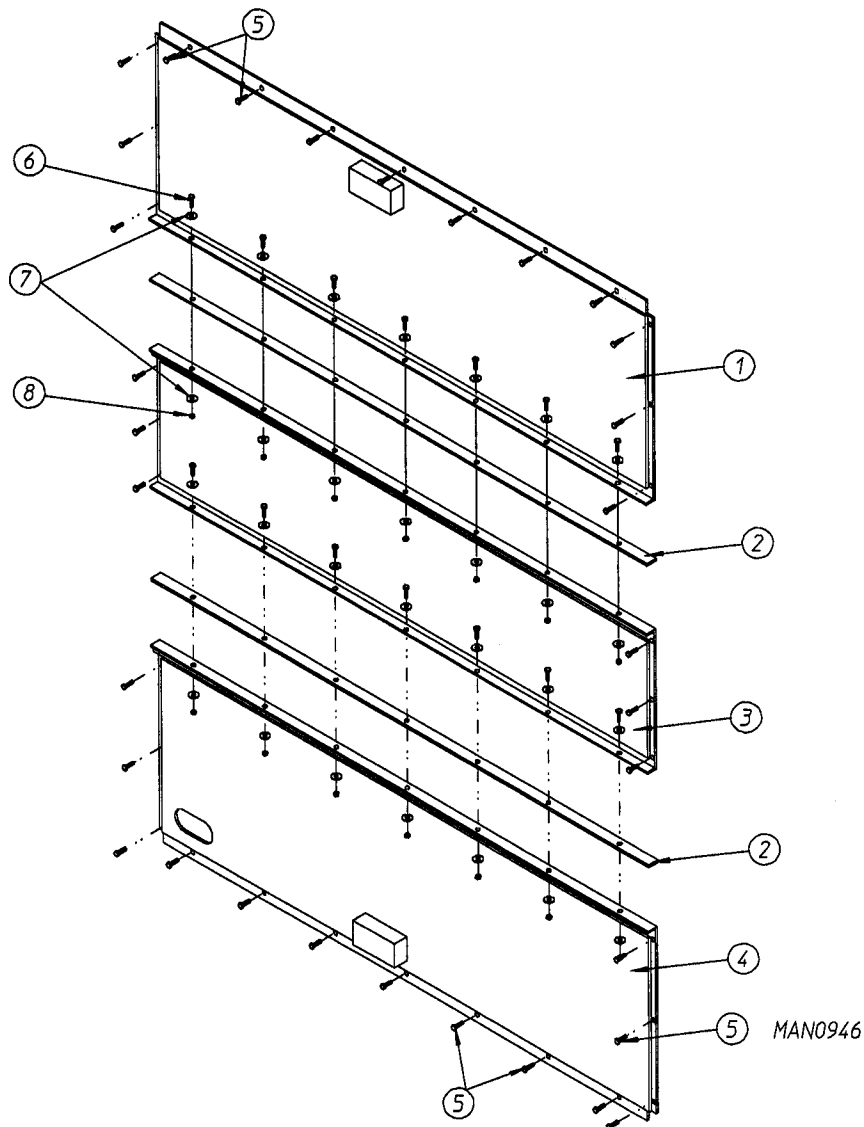
Illus. No.	Part No.	Qty.	Description
1	160140	1	ACE® Key ONLY (key number XX4451)
2	160038	1	ACE® Control Door Lock Less Key (keyed to key number #XX4451)
3	160014	1	Cam
4	112360	1	ADC Logo ONLY
	870011	27	Double Sided Tape Kit
5*	821228	1	AD-200 Left Hand Control Door ONLY
6	112535	1	OPL English Keyboard Label Assembly
7*	821227	1	AD-200 Right Control Door ONLY (includes illus. nos. 7, 9, and 10)
8	137127	1	Phase 4 OPL Reversing Controller ONLY
9	153012	4	#8 Star Washer
10	152001	4	#8-32 Hex Nut
11	160140	1	ACE® Key ONLY (key number XX4451)
12	160038	1	ACE® Control Door Lock Less Key (keyed to key number #XX4451)
13	112094	1	"Phase 4 Computer System" Label ONLY
14	112090	1	"Phase 4 Program Location" Label ONLY
15	160014	1	Cam

* Specify color when ordering.



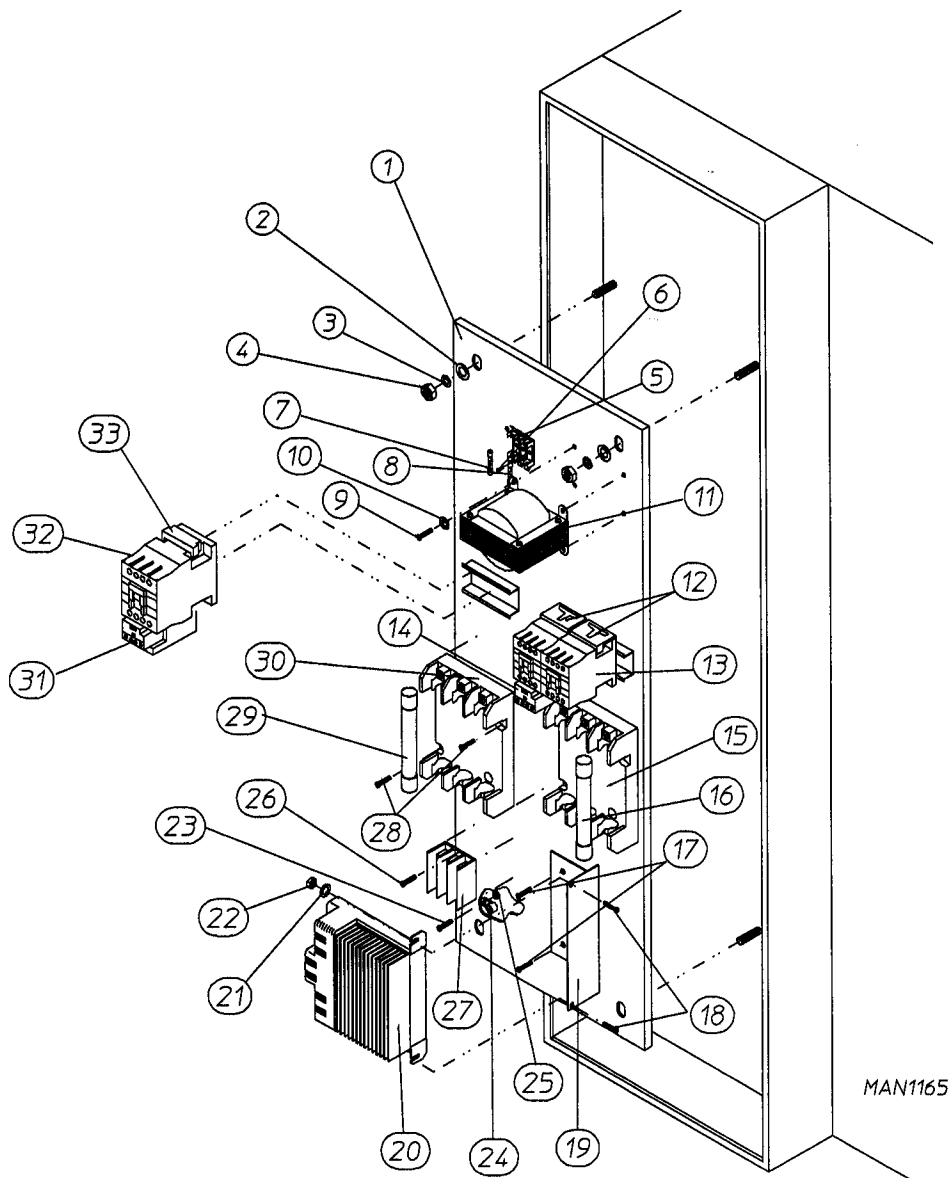
<u>Illus. No.</u>	<u>Part No.</u>	<u>Qty.</u>	<u>Description</u>
1*	821283	1	AD-200 Left Top Side Panel ONLY
2	150523	14	#1/4-20 x 3/4" Hex Washer Machine Bolt
3	160140	2	ACE® Key ONLY (key number XX4451)
4	160040	2	ACE® Door Lock Less Key (keyed to key number #XX4451)
5*	821341	1	AD-200 Bottom Side Panel Assembly Complete Less Locks
6*	821283	1	AD-200 Right Top Side Panel (for Steam Models ONLY)
7	150523	14	#1/4-20 x 3/4" Hex Washer Machine Bolt
8	160140	2	ACE® Key ONLY (key number XX4451)
9	160040	2	ACE® Door Lock Less Key (keyed to key number #XX4451)
10*	821341	1	AD-200 Bottom Side Panel Assembly Complete Less Locks (for models mfd. as of June 15, 1991)
	821318	1	AD-200 Bottom Side Panel Assembly Complete Less Locks for (models mfd. prior to June 15, 1991)
11*	821242	1	AD-200 Top Right Side Panel (for Gas Models ONLY)

* Specify color when ordering.



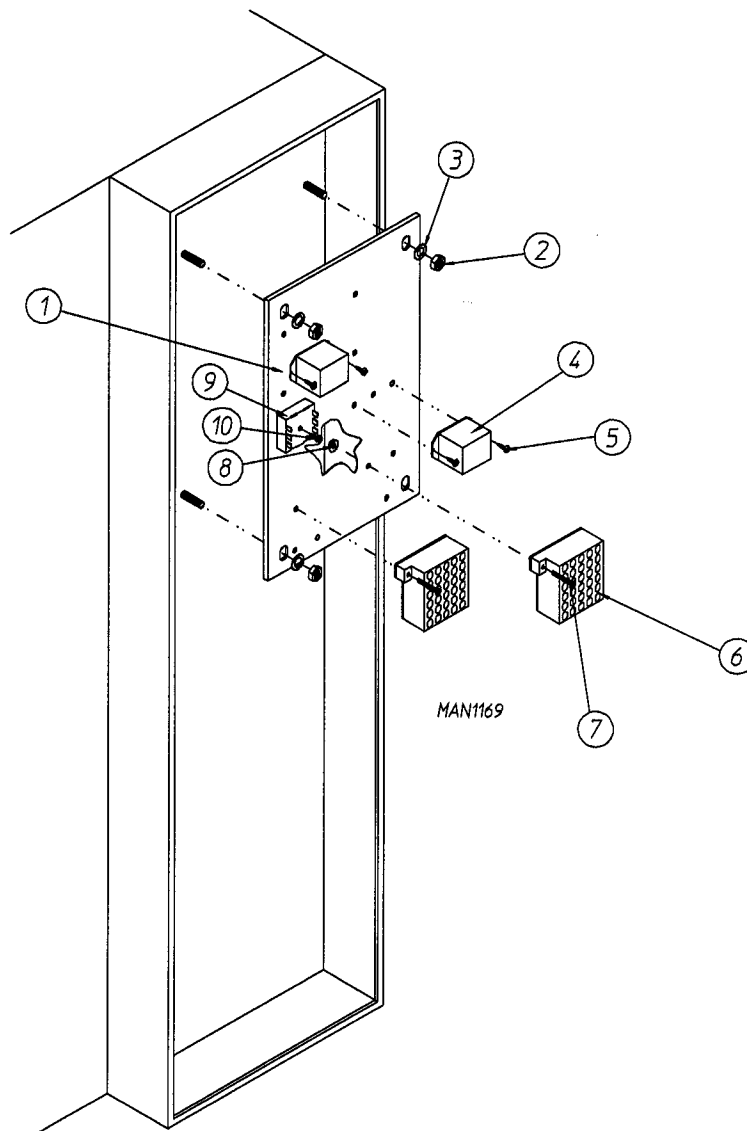
Illus. No.	Part No.	Qty.	Description
1*	821310	1	AD-200 Top Back Panel Assembly ONLY
2*	332571	2	AD-200 Rear Panel Reinforcement ONLY
3*	821312	1	AD-200 Middle Back Panel Assembly ONLY
4*	821311	1	AD-200 Bottom Back Panel Assembly ONLY
5	150523	32	#1/4-20 x 3/4" Hex Washer Machine Bolt
6	150504	14	#5/16-18 x 1" Hex Head Machine Bolt
7	153001	28	5/16" Flat Washer
8	152004	14	#5/16-18 Hex Nut

* Specify color when ordering.

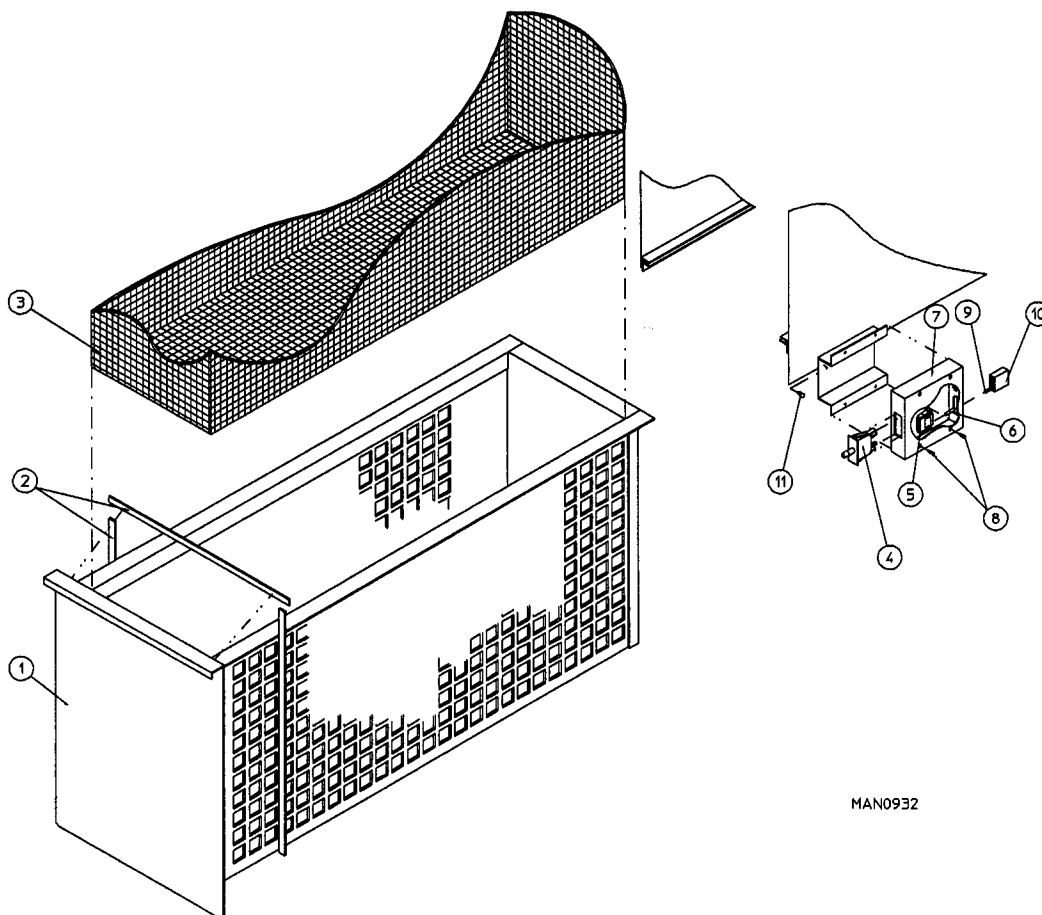


<u>Illus. No.</u>	<u>Part No.</u>	<u>Qty.</u>	<u>Description</u>
1	332594	1	AD-200 Electrical Panel
2	153001	4	5/16" Flat Washer
3	153002	4	5/16" Lock Washer
4	152004	4	#5/16-18 Hex Nut
5	136008	3	Fuse Block/Strip
6	150301	3	#8-18 x 7/16" Phillips Pan Head TEK Screw
7	136057	2	1/2-Amp (Slo Blo) Fuse ONLY
8	136052	1	4-Amp Fuse ONLY
9	150108	4	#8-32 x 1/2" Pan Head Machine Screw
10	153000	4	#8 Steel Burr

<u>Illus. No.</u>	<u>Part No.</u>	<u>Qty.</u>	<u>Description</u>
11	132094	1	208/25v Transformer (for 208 VAC Models ONLY)
	132095	1	240/25v Transformer (for 240 VAC Models ONLY)
	132093	1	380/25v Transformer (for 380 VAC Models ONLY)
	132096	1	416/25v Transformer (for 416 VAC Models ONLY)
	132098	1	460/25v Transformer (for 460 VAC Models ONLY)
12	132437	2	Varistor
13	132434	1	Reversing Drive Motor Contactor (for 208/230/380/416/460 VAC)
	120768	1	Mounting Rail ... Not Illustrated
	150300	2	#10 x 1/2" Hex Washer TEK Screw ... Not Illustrated
14	132467	1	Drive Motor Overload (for 208/230 VAC ONLY)
	132468	1	Drive Motor Overload (380/416/460 VAC ONLY)
15	136004	1	600v Fuse Block
16	136025	3	12-Amp Fuse (for 208/230 VAC Models ONLY)
	136022	3	6-Amp Fuse (for 380/416 VAC Models ONLY)
	136073	3	5-Amp Fuse (for 460 VAC Models ONLY)
17	150106	4	#8-32 x 1" Round Head Machine Screw
18	150108	2	#8-32 x 1/2" Round Head Machine Screw
19	332701	1	Soft Start Mounting Plate
20	132250	1	Soft Start (for 208/230 VAC Models ONLY)
	132272	1	Soft Start (for 380 VAC 60 Hz ONLY)
	132273	1	Soft Start (for 380/416 VAC 50 Hz Models ONLY)
	132271	1	Soft Start (for 460 VAC Models ONLY)
21	153000	2	#8 Steel Burr
22	152001	2	#8-32 Hex Nut
23	150111	1	1/4-20 x 1/2" Round Head Machine Screw
24	121012	1	L-125 Ground Lug
25	152002	1	#1/4-20 Hex Nut
26	150108	4	#8-32 x 1/2" Pan Head Machine Screw
27	120704	1	3-Position Power Distribution Block
28	150108	2	#8-32 x 1/2" Pan Head Machine Screw
29	136027	3	30-Amp Fuse (for 208/230 VAC Models ONLY)
	136021	3	15-Amp Fuse (for 380/416/460 VAC Models ONLY)
30	136004	1	600v Fuse Holder
31	132439	1	Blower Motor Overload (for 208/230 VAC Models ONLY)
	132435	1	Blower Motor Overload (for 380/416/460 VAC Models ONLY)
32	132465	1	Blower Contactor
	120768	1	Mounting Rail ... Not Illustrated
	150300	2	#10 x 1/2" Hex Washer TEK Screw ... Not Illustrated
33	132437	1	Varistor



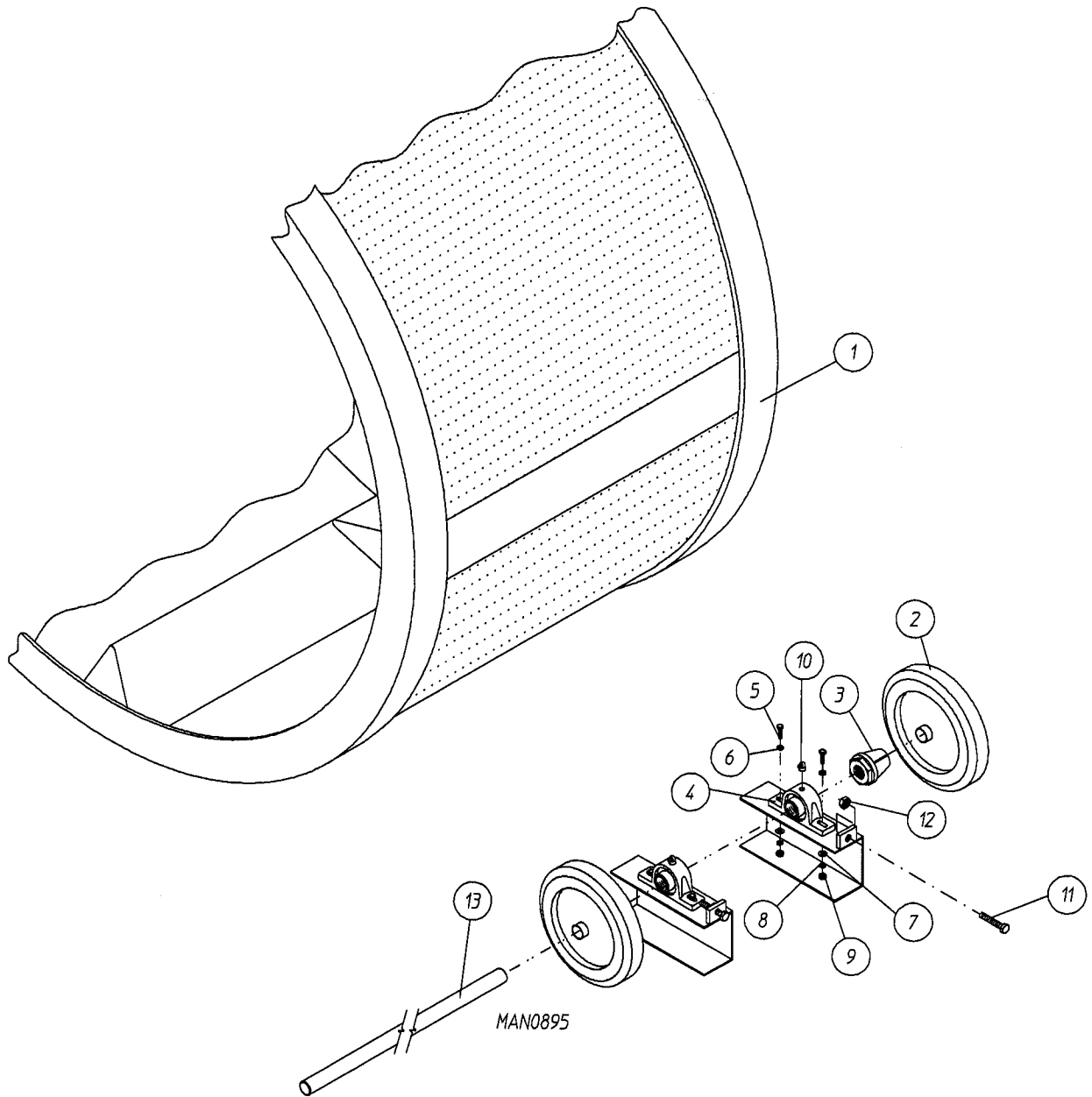
Illus. No.	Part No.	Qty.	Description
1	341370	1	AD-200 DSI Control Panel ONLY
2	152005	4	3/8-16 Hex Nut
3	153004	4	3/8" Flat Washer
4	131931	2	SPDT (Single-Pole-Double-Throw) 24 VAC Relay
5	150300	4	#10 x 1/2" Hex Washer TEK Screw
6	120715	2	30-Position Terminal Block
7	150002	4	#6-32 x 1" Round Head Machine Screw
8	151000	4	#6-32 Pal Nut
9	124810	1	Air Jet/Audio Timer
10	150299	1	#10 x 1" Hex Washer TEK Screw



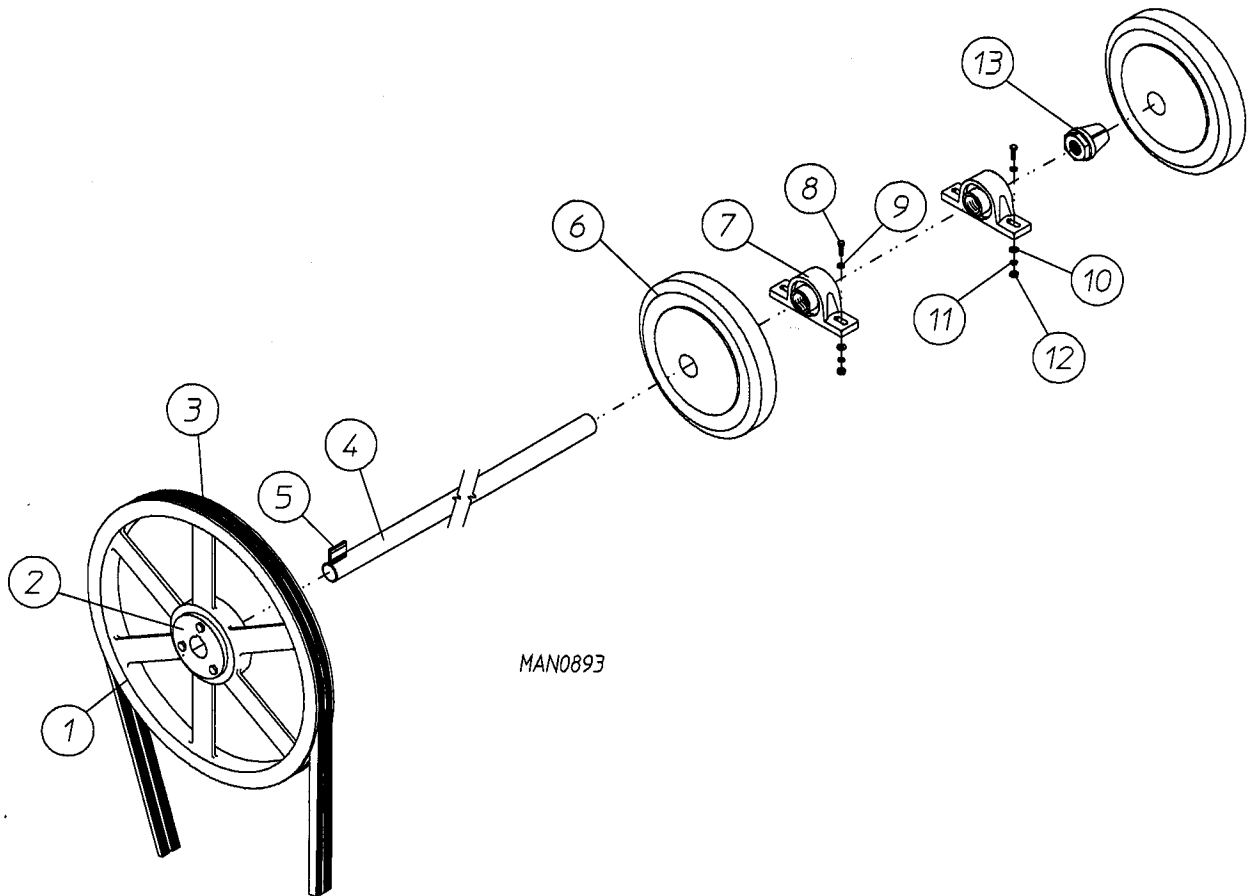
MAN0932

<u>Illus. No.</u>	<u>Part No.</u>	<u>Qty.</u>	<u>Description</u>
1*	880786	1	AD-200 Lint Drawer Assembly Complete (includes illus. nos. 1 and 2)
2	117600	7	Noise Suppressor Tape (sold by the foot)
3	820017	1	AD-200 Lint Screen Assembly
4	122115	1	Lint Drawer Switch ONLY
5	122605	2	4-Pin Socket Connector ONLY
6	122701	8	Socket Terminal ONLY
	122801	1	Pin/Socket Extraction Tool
7	800261	1	Lint Drawer Switch Box Assembly Complete (includes illus. nos. 4 through 7)
	304034	1	Lint Drawer Switch Box Cover ONLY
8	150301	4	#8-18 x 7/16" Phillips Pan Head TEK Screw
9	122700	8	Pin Terminal ONLY
10	122604	2	4-Pin Connector ONLY
11	150301	2	#8-18 x 7/16" Phillips Pan Head TEK Screw

* Specify color when ordering.

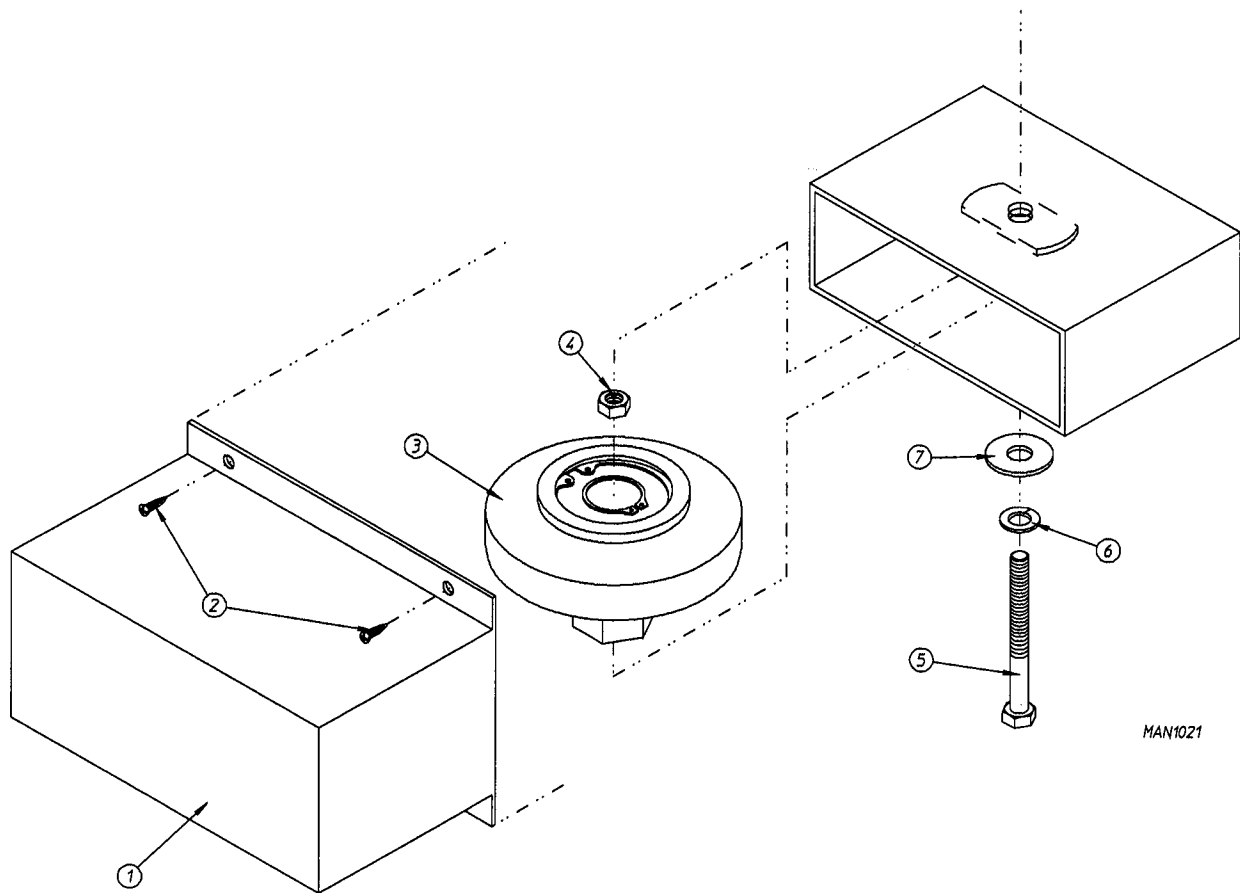


<u>Illus. No.</u>	<u>Part No.</u>	<u>Qty.</u>	<u>Description</u>
1	821217	1	AD-200 Tumbler Assembly
2	821215	2	AD-200 Drive Wheel Assembly
3	180007	2	AD-200 1-1/2" Trantorque ONLY
4	100217	2	1-1/2" Pillow Block Bearing ONLY
5	150601	4	#3/8-16 x 2" Hex Head Machine Bolt
6	153004	4	3/8" Flat Washer
7	153004	4	3/8" Flat Washer
8	153005	4	3/8" Lock Washer
9	152005	4	#3/8-16 Hex Nut
10	143217	2	#1/4-28 x 90° Lubrication Fitting
11	150619	2	#3/8-16 x 3" Hex Head Machine Bolt
12	152005	2	#3/8-16 Hex Nut
13	332507	1	AD-200 1-1/2" Diameter Idler Shaft ONLY



<u>Illus. No.</u>	<u>Part No.</u>	<u>Qty.</u>	<u>Description</u>
1	101193	1	2B x 13.6" Pulley
2	101150	1	SK x 1 1/2" Bushing
3*	100129	2	B x 94" V-Belt For (for 60Hz Models ONLY)
	100136	2	B x 95" V-Belt For (for 50Hz Models ONLY)
4	332508	1	AD-200 Tumbler Drive Shaft ONLY
5	100704	1	1/4" x 1/4" x 1-3/4" Key
6	821215	2	AD-200 Drive Wheel Assembly
7	100217	2	1-1/2" Pillow Block Bearing ONLY
8	150601	4	#3/8-16 x 2" Hex Head Machine Bolt
9	153004	4	3/8" Flat Washer
10	153004	4	3/8" Flat Washer
11	153005	4	3/8" Lock Washer
12	152005	4	#3/8-16 Hex Nut
13	180007	2	AD-200 1-1/2" Trantorque ONLY

* Replace in matched sets (both belts).

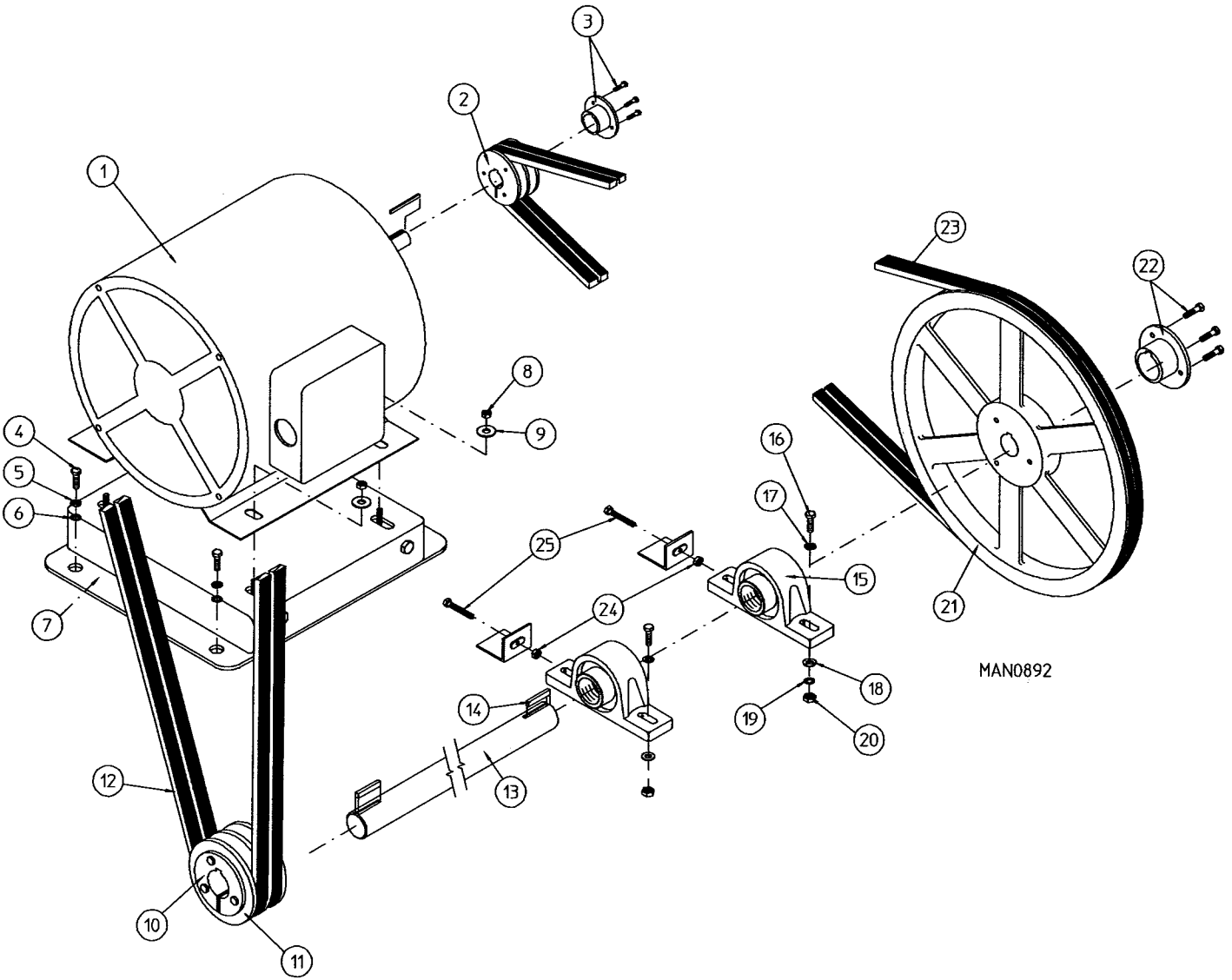


MAN1021

Illus. No.	Part No.	Qty.	Description
------------	----------	------	-------------

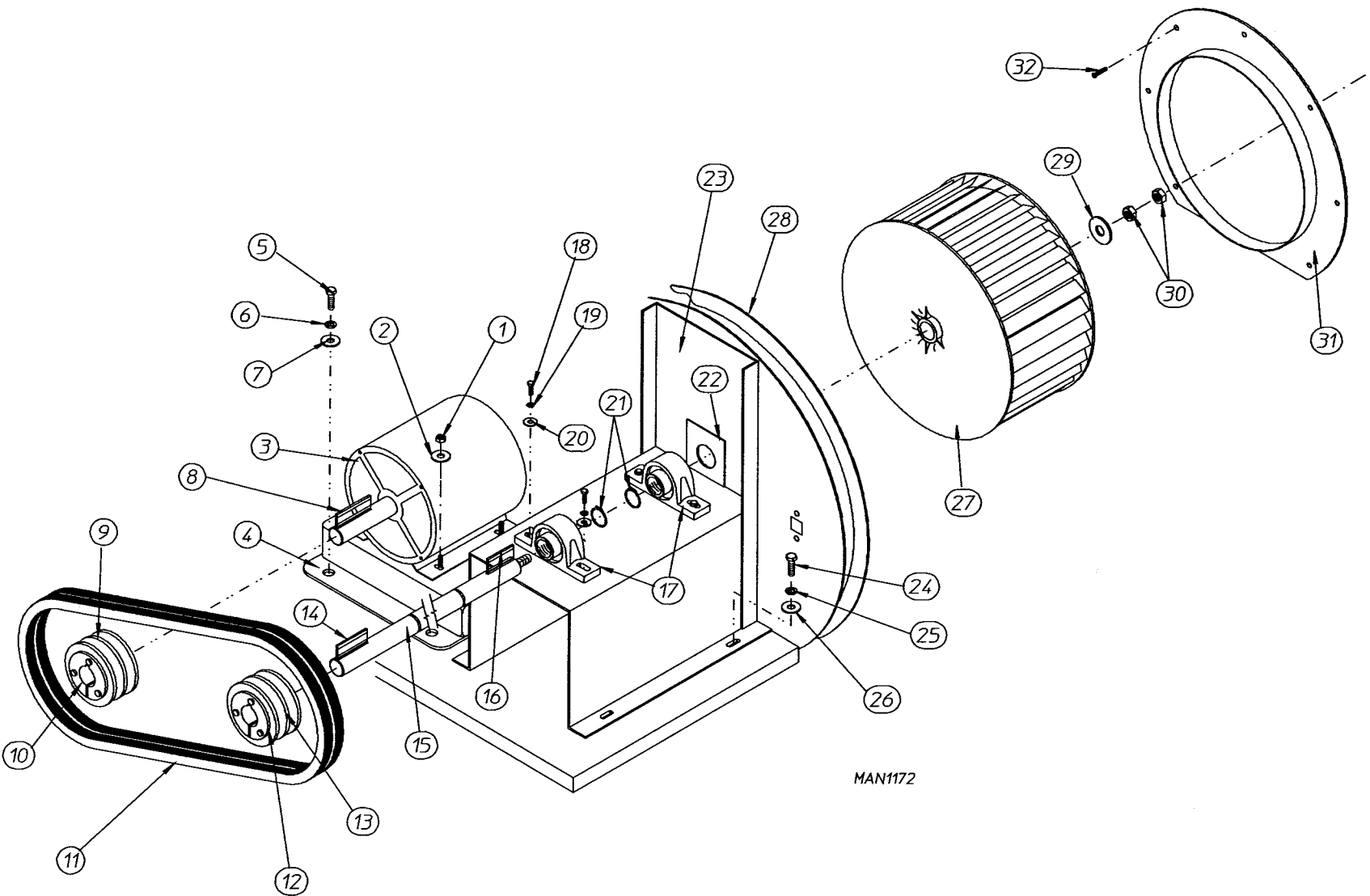
1*	821244	1	AD-200 Tumbler Retaining Wheel Cover
2	150301	4	#8-18 x 7/16" Phillips Pan Head TEK Screw
3	820566	1	AD-200 Tumbler Retaining Wheel Assembly
4	152004	1	#5/16-18 Hex Nut
5	150509	1	#5/16-18 x 3" Hex Head Machine Bolt
6	153002	1	5/16" Lock Washer
7	153001	1	5/16" Flat Washer

* Specify color when ordering.



<u>Illus. No.</u>	<u>Part No.</u>	<u>Qty.</u>	<u>Description</u>
1	100043	1	3 HP Motor with Key
2	101143	1	2B x 3.8" Pulley
3	101144	1	SH x 1-1/8" Bushing
4	150617	4	#3/8-16 x 1" Hex Head Machine Bolt
5	153005	4	3/8" Lock Washer
6	153004	4	3/8" Flat Washer
7	100060	1	AD-200 Motor Base ONLY
8	152005	4	#3/8-16 Hex Nut
9	153004	4	3/8" Flat Washer
10	101149	1	SH x 1-1/4" Bushing (for 60 Hz Models ONLY)
	101166	1	SDS x 1-1/4" Bushing (for 50 Hz Models ONLY)
11	101148	1	2B x 4.0 Pulley (for 60 Hz Models ONLY)
	101147	1	2B x 4.8 Pulley (for 50 Hz Models ONLY)
12*	100129	2	BX-94 Cogged V-Belt (for 60 Hz Models ONLY)
	100136	2	BX -95 Cogged V-Belt (for 50 Hz Models ONLY)
13	341033	1	AD-200 1-1/4" Idler Shaft (Drive Motor)
14	100704	2	1/4" Square x 1-3/4" Key
15	100219	2	1-1/4" Idler Bearing ONLY
16	150600	4	#3/8-16 x 1 1/2" Hex Head Machine Bolt
17	153004	4	3/8" Flat Washer
18	153004	4	3/8" Flat Washer
19	153005	4	3/8" Lock Washer
20	152005	4	#3/8-16 Hex Nut
21	101145	1	2B x 11.0 Pulley
22	101146	1	SK x 1 1/4" Bushing
23*	100128	2	BX-50 Cogged V-Belt
24	152005	2	#3/8-16 Hex Nut
25	880799	2	#3/8-16 x 4" Hex Head Machine Bolt

* Replace in matched sets (both belts).

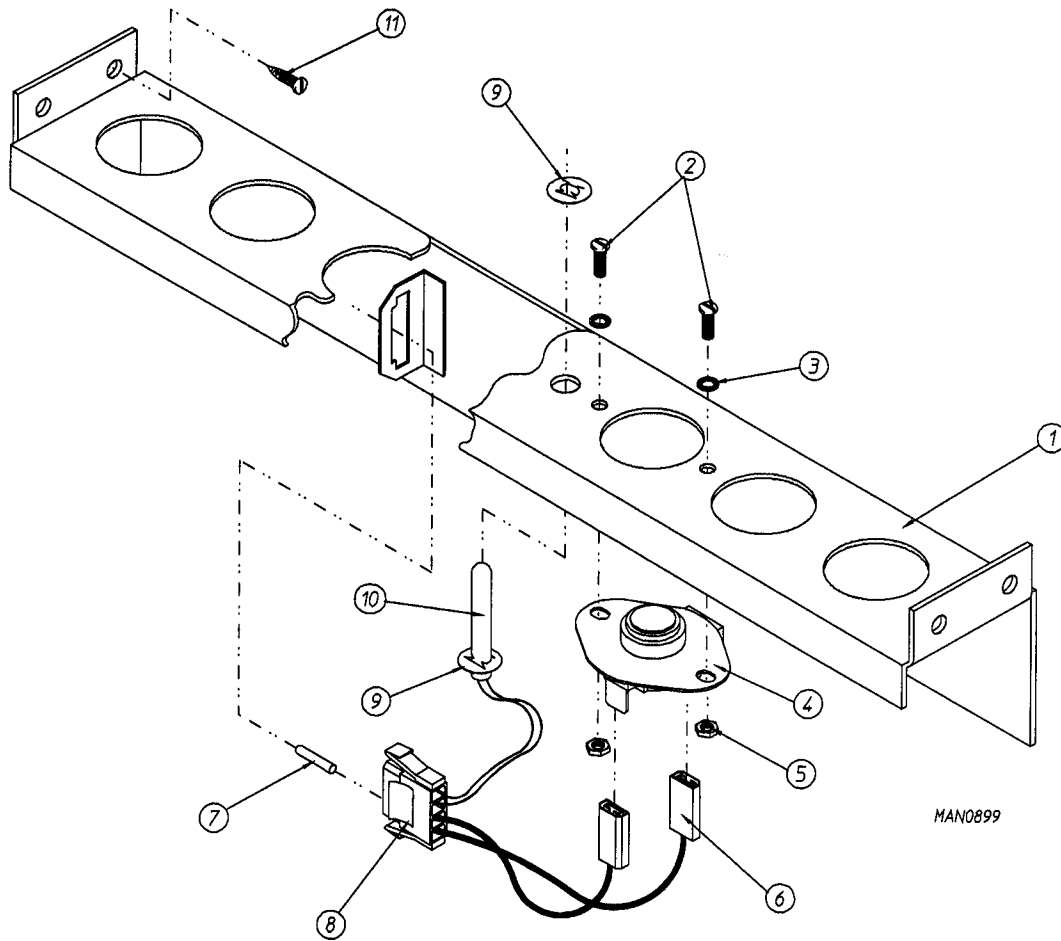


MAN1172

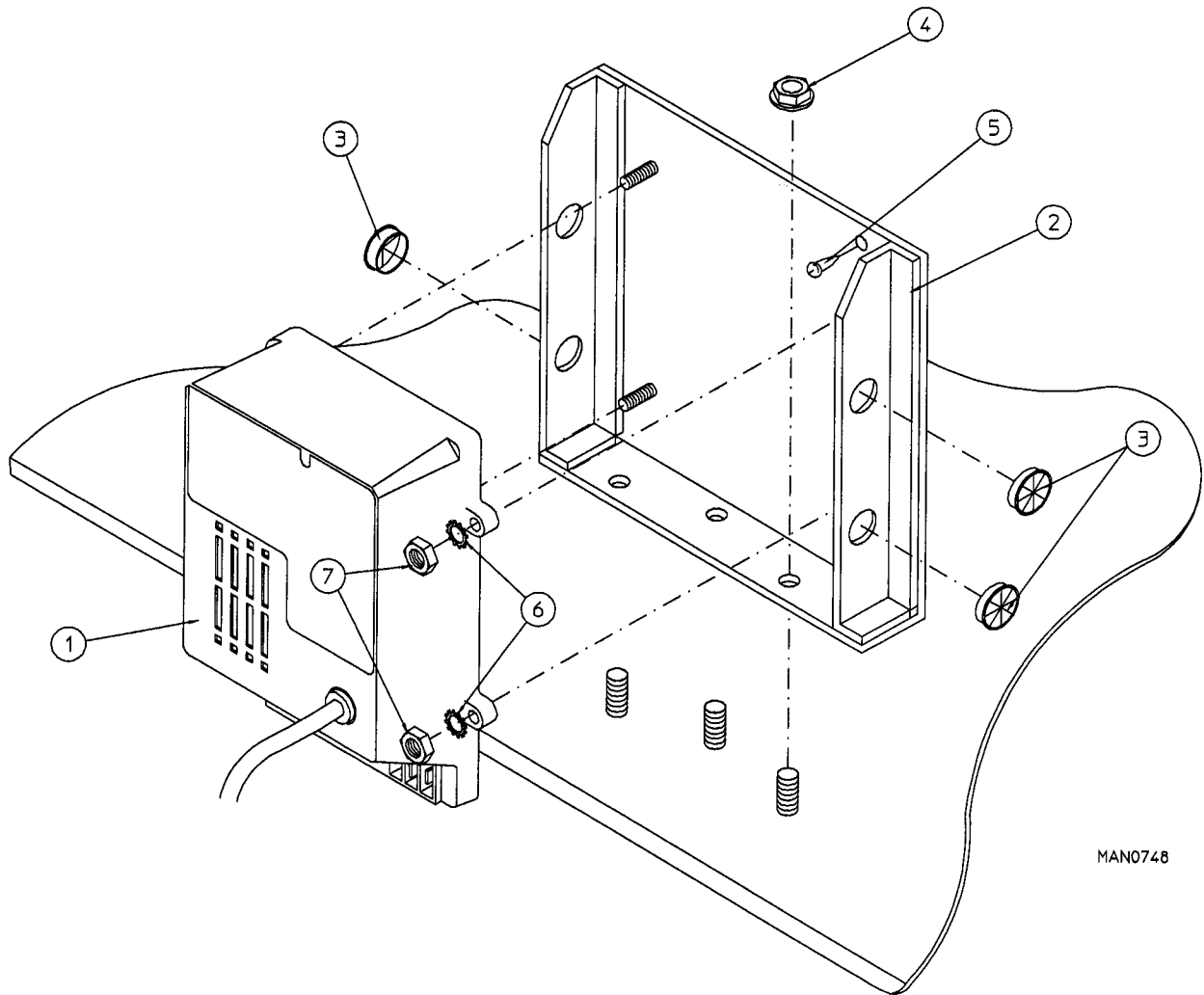
<u>Illus. No.</u>	<u>Part No.</u>	<u>Qty.</u>	<u>Description</u>
1	152005	4	#3/8-16 Hex Nut
2	153004	4	3/8" Flat Washer
3	100046	1	7.5 HP Blower Motor (for 60 Hz Models ONLY)
	100092	1	7.5 HP Blower Motor (for 50 Hz Models ONLY)
4	100062	1	AD-200 Blower Motor Slide Base
5	150617	4	#3/8-16 x 1" Hex Head Machine Bolt
6	153005	4	3/8" Lock Washer
7	153004	4	3/8" Flat Washer
8	100706	1	#5/16" x 5/16" x 1 3/8" Key
9	101148	1	2B x 4.0 (for 60 Hz Models ONLY)
	101147	1	2B x 4.8 Sheave (for 50 Hz Models ONLY)
10	101152	1	SH x 1 3/8" Bushing (for 60 Hz Models ONLY)
	101194	1	SDS x 1 3/8" Bushing (for 50 Hz Models ONLY)
11*	100140	2	BX-38 Cogged V-Belt
12	101152	1	SH x 1 3/8" Bushing
13	101148	1	2B x 4.0 Pulley
14	100706	1	5/16" x 5/16" x 1-3/8" Key
15	332626	1	AD-200 Squirrel Cage Shaft
16	100706	1	5/16" x 5/16" x 1-3/8" Key
17	100202	2	1-3/8" Pillow Block Bearing ONLY
18	150617	4	3/8-16 x 1" Hex Head Machine Bolt
19	153005	4	3/8" Lock Washer
20	153004	4	3/8" Flat Washer
21	100802	2	1-3/8" Retaining Ring
22	116014	1	Felt Seal (2" x 2")
23**	821229	1	AD-200 Motor Mount Assembly (includes illus. nos. 23 and 28)
24	150617	4	#3/8-16 x 1" Hex Head Machine Bolt
25	153005	4	3/8" Lock Washer
26	153004	4	3/8" Flat Washer
27	100612	1	AD-200 1-1/4" Bore x 15" Diameter Blower Wheel ONLY
28	117600	4	Noise Suppressor Tape (sold in feet)
29	153050	1	1/2" Flat Washer
30	152006	2	#1/2-20 Left Hand Jam Nut
31	100643	1	AD-200 15" Inlet Cone ONLY
32	150415	7	#10-16 x 1/2" Phillips Round Head Crimptite Screw

* Replace in matched sets (both belts).

** Specify color when ordering.



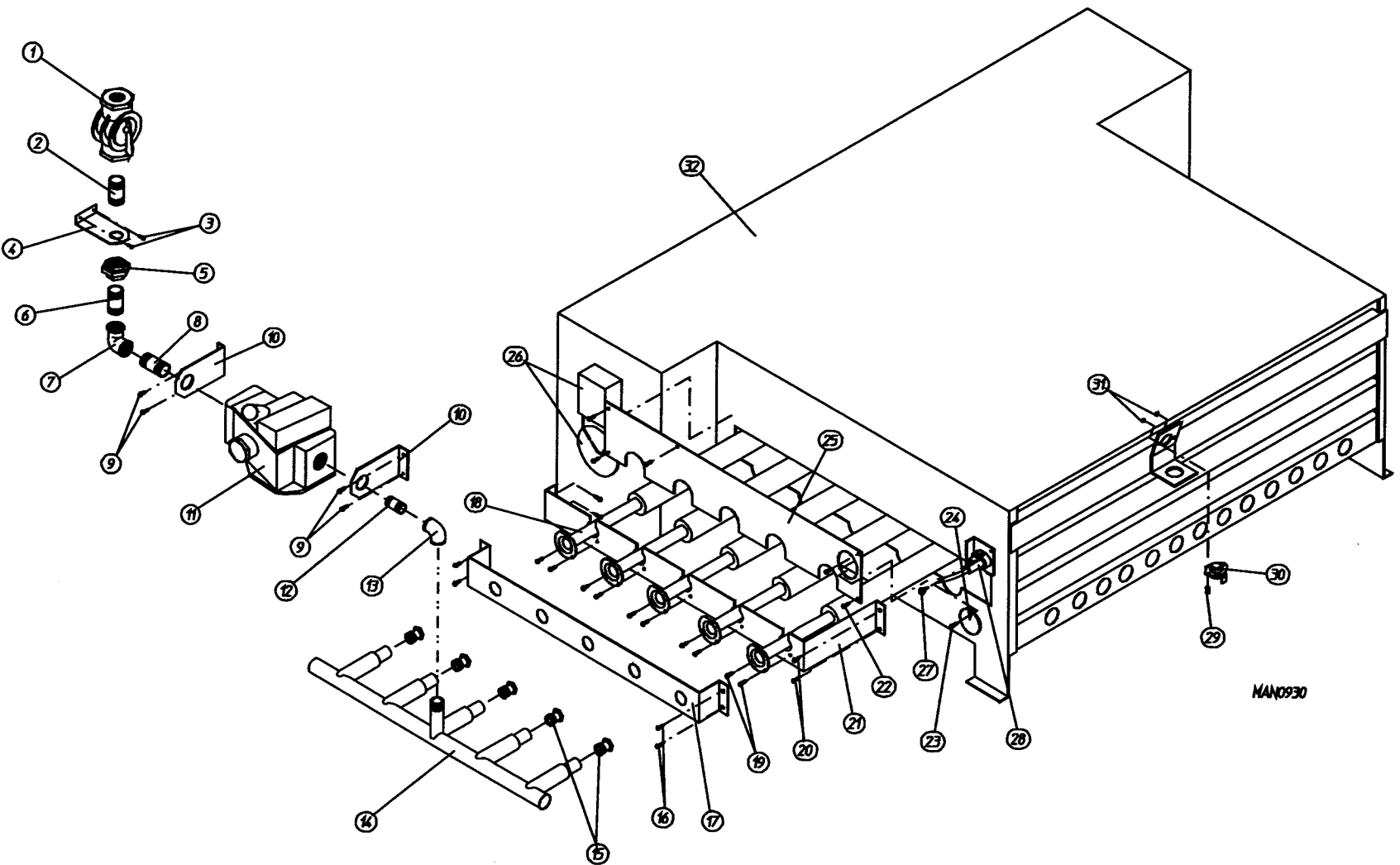
Illus. No.	Part No.	Qty.	Description
1	820968	1	Temperature Sensor Bracket Assembly Complete (includes illus. nos. 1 through 10)
	820967	1	Temperature Sensor Bracket ONLY
2	150000	2	#6-32 x 1/4" Slotted Round Head Machine Screw
3	153010	2	#6 Star Washer
4	130112	1	225° Large Thermostat ONLY
5	152000	2	#6-32 Hex Nut
6	121028	2	1/4" x .032 Insulated Terminal
7	122701	4	Socket ONLY
8	122605	1	4-Pin Socket Connector (female)
9	154007	2	1/4" Push-On Fastener
10	880251	1	1/4" Temperature Sensor Probe
11	150301	4	#8-18 x 7/16" Phillips Pan Head TEK Screw



MAN0748

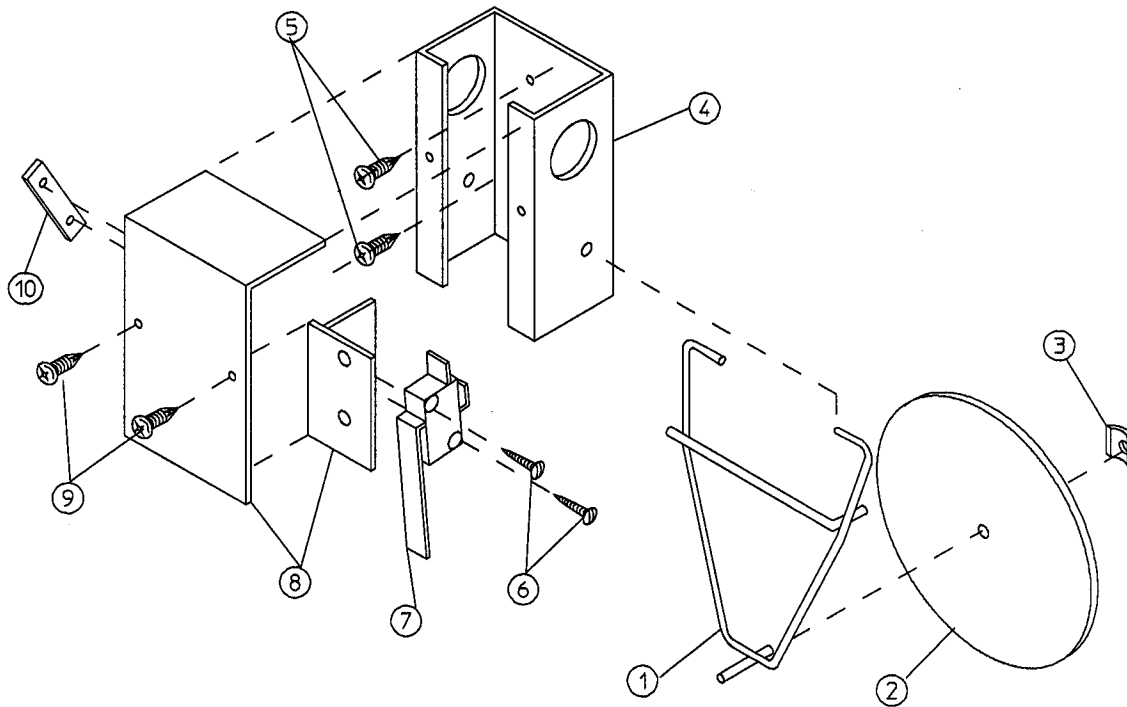
Illus. No.	Part No.	Qty.	Description
------------	----------	------	-------------

1	880815	1	ADC DSI Module ONLY
2	820100	1	DSI Module Mount Assembly ONLY
3	121400	3	Universal Bushing
4	152014	3	#1/4-20 Free Spin Wash Nut
5	150301	1	#8-18 x 7/16" Phillips Pan Head TEK Screw
6	153010	4	#6 Star Washer
7	152000	4	#6-32 Hex Nut



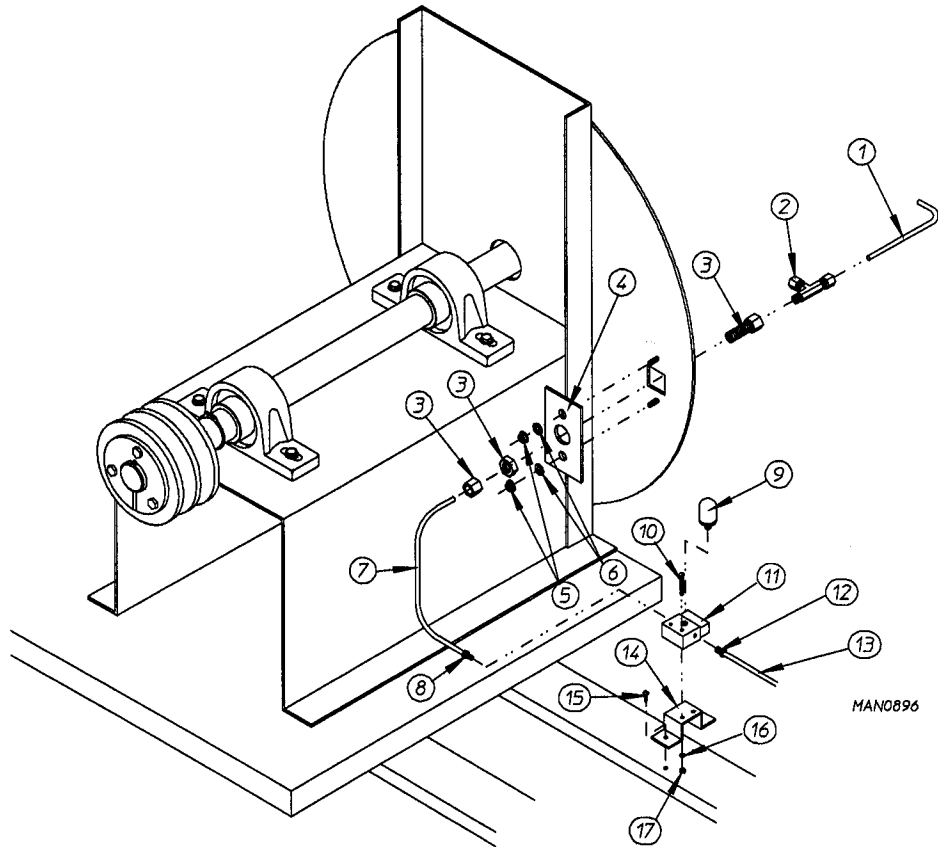
<u>Illus. No.</u>	<u>Part No.</u>	<u>Qty.</u>	<u>Description</u>
1	141302	1	1" Shut-Off Valve
2	142711	1	1" Close Nipple
3	150301	2	#8-18 x 7/16" Phillips Pan Head TEK Screw
4	332605	1	Short Pipe Bracket
5	142602	1	1" Union
6	142711	1	1" Close Nipple
7	142548	1	1" x 90° Elbow
8	142711	1	1" Close Nipple
9	150301	2	#8-18 x 7/16" Phillips Pan Head TEK Screw
10	332604	2	Long Pipe Bracket
11	140017	1	1" x 1" 24 VAC Gas Valve
12	142711	1	1" Close Nipple
13	142548	1	1" x 90° Elbow
14	141244	1	5-Port Manifold
15	140839	5	#2 Orifice (for Natural Gas Models ONLY)
	140820	5	#29 Orifice (for L.P. Gas Models ONLY)
16	150301	4	#8-18 x 7/16" Phillips Pan Head Tek Screw
17	332606	1	Manifold Rest
18	141110	5	Burner Tube
19	150301	10	#8-18 x 7/16" Phillips Pan Head TEK Screw
20	150301	4	#8-18 x 7/16" Phillips Pan Head TEK Screw
21	332607	1	Burner Tube Rest
22	150301	5	#8-18 x 7/16" Phillips Pan Head TEK Screw
23	150301	1	#8-18 x 7/16"
24	331290	1	Sight Hole Disk
25	332597	1	Burner Box Cover Plate
26	-----	1	Sail Switch (refer to Sail Switch Assembly on page 26)
27	150415	2	#10-16 x 1/2" Phillips Round Head Crimptite Screw
28	880325	1	Ignitor/Flame Probe Assembly Kit
	880330	1	DSI Ignitor HV Wire / Connector ONLY
	305410	1	DSI Gap Feeler Gauge
29	150001	2	#6-32 x 1/2" Round Head Machine Screw
30	130401	1	330° Hi-Limit
31	151000	2	#6-32 Pal Nut
32	880789	1	ADG-200 Burner Box ONLY
	880790	1	ADG-200 Natural Gas Burner Box Assembly Complete Less Orifices
	880791	1	ADG-200 LP Gas Burner Box Assembly Complete Less Orifices

NOTE: Burner assemblies **do not** include burner orifices. They **must** be ordered separately.

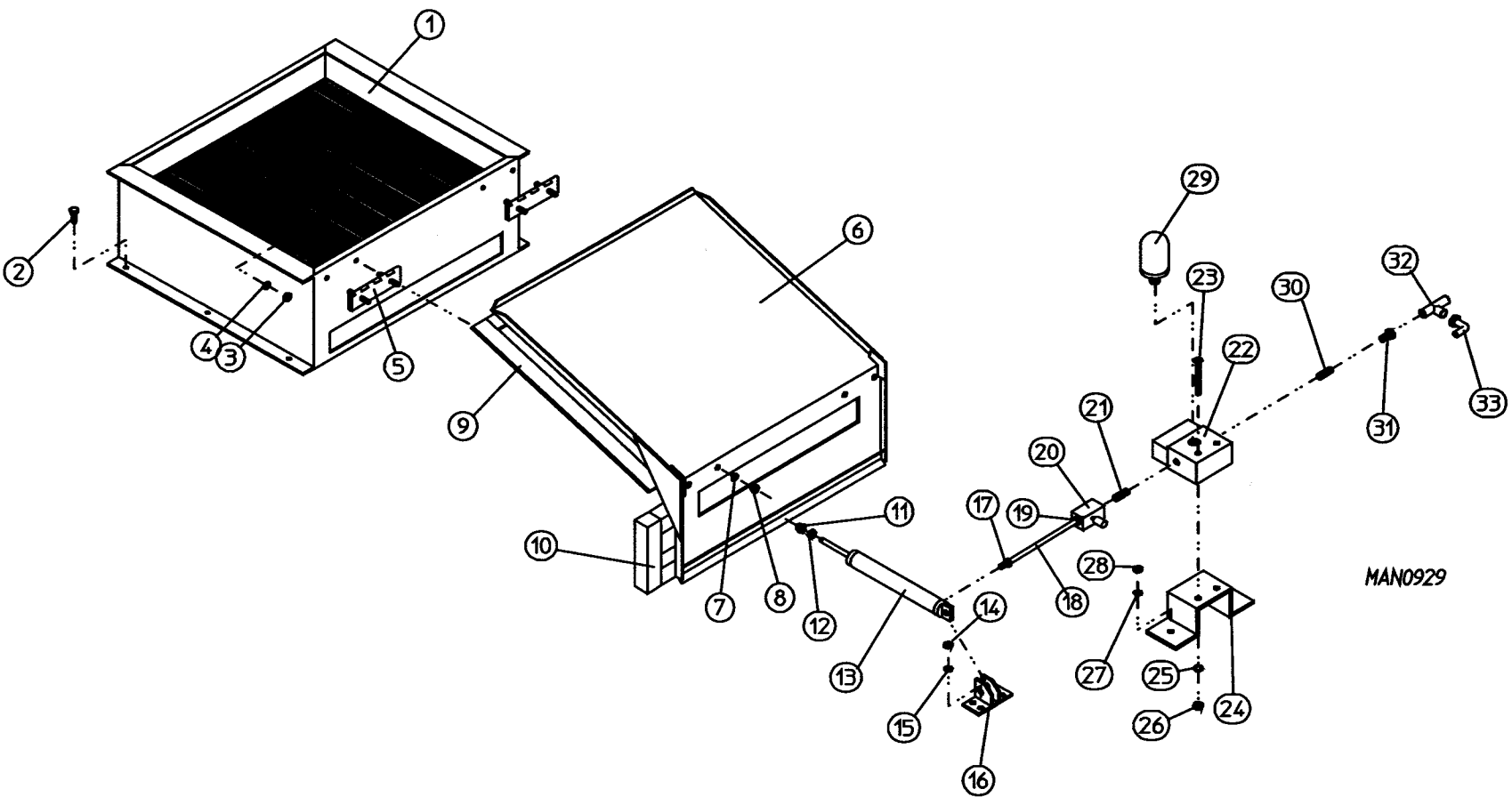


MAN0440

Illus. No.	Part No.	Qty.	Description
1	105500	1	Sail Switch Actuator Rod
2	332689	1	Sail Switch Damper (flat)
3	154002	1	1/8" Push-On Fastener
4	802800	1	Sail Switch Box With Cover and Bracket ONLY (includes illus. nos. 4 and 8)
	880793	1	Sail Switch Box Assembly Complete (includes illus. nos. 1 through 4 and 6 through 10)
5	150300	2	#10 x 1/2" Hex Washer TEK Screw
6	150303	2	#4 x 3/4" Pan Head "A" Machine Screw
7	122200	1	Sail Switch ONLY
8	802799	1	Sail Switch Box Cover and Bracket ONLY
9	150415	2	#10-16 x 1/2" Phillips Round Head Crimptite Screw
10	154004	1	Twin Speed Nut

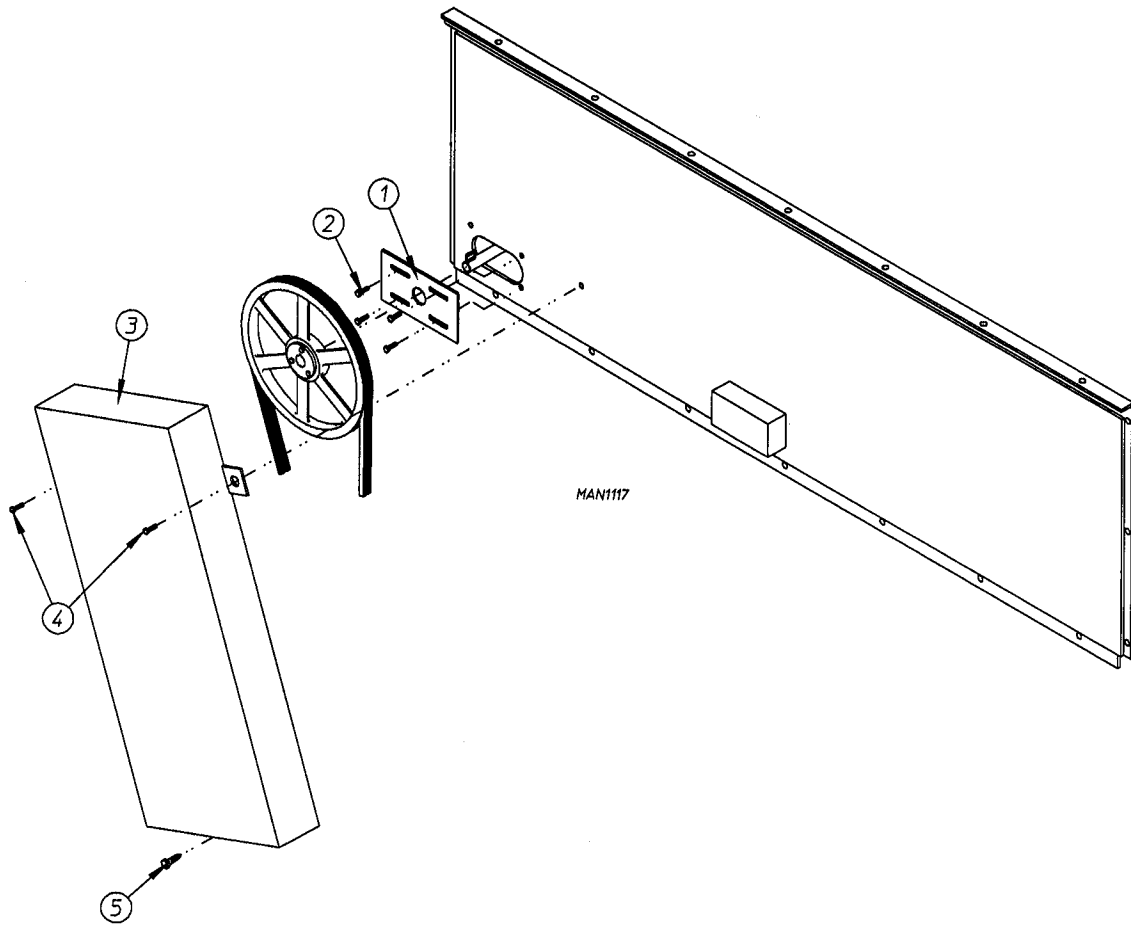


Illus. No.	Part No.	Qty.	Description
1	332700	1	Air Jet Tube
2	143287	1	1/4" Tube x 1/8" MPT
3	143259	1	1/4" Compression Fitting x 1/8" FPT
4	332531	1	Air Jet Mounting Plate
5	152002	2	#1/4-20 Hex Nut
6	153007	2	1/4" Lock Washer
7	143100	1	1/4" Diameter Tube (sold by the foot)
8	143152	1	1/4" Compression Fitting x 1/8" MPT Connector
9	100520	1	1/8" Muffler
10	150002	1	#6-32 x 1" Phillips Round Head Machine Screw
11	100498	1	3-Way Valve
12	100472	1	1/4" Poly x 1/8" MPT Connector (for Steam Models ONLY)
13	143110	10	1/4" Poly Flow Tube (sold by the foot) For Steam Models ONLY)
14	330987	1	Valve Support Bracket
15	150415	2	#10-16 x 1/2" Phillips Round Head Crimpite Screw
16	153010	2	#6 Star Washer
17	152000	2	#6-32 Hex Nut



MAN0929

<u>Illus. No.</u>	<u>Part No.</u>	<u>Qty.</u>	<u>Description</u>
1	165020	1	ADS-200 Steam Coil Assembly
2	150523	6	#1/4-20 x 3/4" Machine Bolt
3	152002	4	#1/4-20 Hex Nut
4	153007	4	1/4" Lock Washer
5	820321	2	Steam Damper Hinge Assembly
6	880792	1	Steam Damper Assembly (includes illus nos. 6, 9, and 10)
7	153007	4	1/4" Lock Washer
8	152002	4	#1/4-20 Hex Nut
9	115995	108	Steam Damper Gasket (sold by the inch)
10	102350	1	Steam Damper Foam (68-1/2" long)
11	151007	1	#7/16-20 Stainless Steel Acorn Nut
12	152007	1	#7/16-20 Jam Nut
13	100502	1	1-1/2" x 4" Stroke Piston
14	152002	4	#1/4-20 Hex Nut
15	153007	4	1/4" Lock Washer
16	100500	1	Piston Support
17	100472	1	1/4" Poly x 1/8" MPT Connector
18	143110	1	1/4" Poly Flow Tubing (sold by the foot)
19	100472	1	1/4" Poly x 1/8" MPT Connector
20	100496	1	1/8" Needle Valve
21	143238	1	1/8" Brass Close Nipple
22	100498	1	3-Way Micro Valve
23	150002	2	#6-32 x 1" Phillips Round Head Machine Screw
24	330987	1	Micro Valve Support
25	153010	2	#6 Star Washer
26	152000	2	#6-32 Hex Nut
27	153007	2	1/4" Lock Washer
28	152002	2	#1/4-20 Hex Nut
29	100520	1	1/8" NPT Silencer #N-125
30	153238	1	1/8" Brass Close Nipple
31	143264	1	1/4" x 1/8" Reducing Bushing
32	143219	1	1/4" Brass Tee
33	143153	1	1/4" Poly x 1/4" MPT Elbow



Illus. No.	Part No.	Qty.	Description
1*	880794	1	AD-200 Back Cover Plate
2	150522	4	#1/4-20 x 1/2" Hex Washer Machine Bolt
3*	821204	1	Belt Guard
4	150301	2	#8-18 x 7/16" Phillips Pan Head Tek Screw
5	150522	1	#1/4-20 x 1/2" Hex Washer Machine Bolt

* Specify color when ordering.

ADC 450135 1-12/24/92-50 2*-05/04/95-100

