



AD-230
Parts Manual
Phase 5 24 Vac

American Dryer Corporation
88 Currant Road
Fall River, MA 02720-4781
Telephone: (508) 678-9000 / Fax: (508) 678-9447
E-mail: techsupport@amdry.com

www.amdry.com

Retain This Manual In A Safe Place For Future Reference

American Dryer Corporation products embody advanced concepts in engineering, design, and safety. If this product is properly maintained, it will provide many years of safe, efficient, and trouble free operation.

ONLY qualified technicians should service this equipment.

OBSERVE ALL SAFETY PRECAUTIONS displayed on the equipment or specified in the installation manual included with the dryer.

The following “**FOR YOUR SAFETY**” caution must be posted near the dryer in a prominent location.

FOR YOUR SAFETY

Do not store or use gasoline or other flammable vapors and liquids in the vicinity of this or any other appliance.

POUR VOTRE SÉCURITÉ

Ne pas entreposer ni utiliser d'essence ni d'autres vapeurs ou liquides inflammables à proximité de cet appareil ou de tout autre appareil.

We have tried to make this manual as complete as possible and hope you will find it useful. ADC reserves the right to make changes from time to time, without notice or obligation, in prices, specifications, colors, and material, and to change or discontinue models.

Important

For your convenience, log the following information:

DATE OF PURCHASE _____ MODEL NO. **AD-230**
RESELLER'S NAME _____
Serial Number(s) _____

Replacement parts can be obtained from your reseller or the ADC factory. When ordering replacement parts from the factory, you can FAX your order to ADC at (508) 678-9447 or telephone your order directly to the ADC Parts Department at (508) 678-9000. Please specify the dryer model number and serial number in addition to the description and part number, so that your order is processed accurately and promptly.

The illustrations on the following pages may not depict your particular dryer exactly. The illustrations are a composite of the various dryer models. Be sure to check the descriptions of the parts thoroughly before ordering.

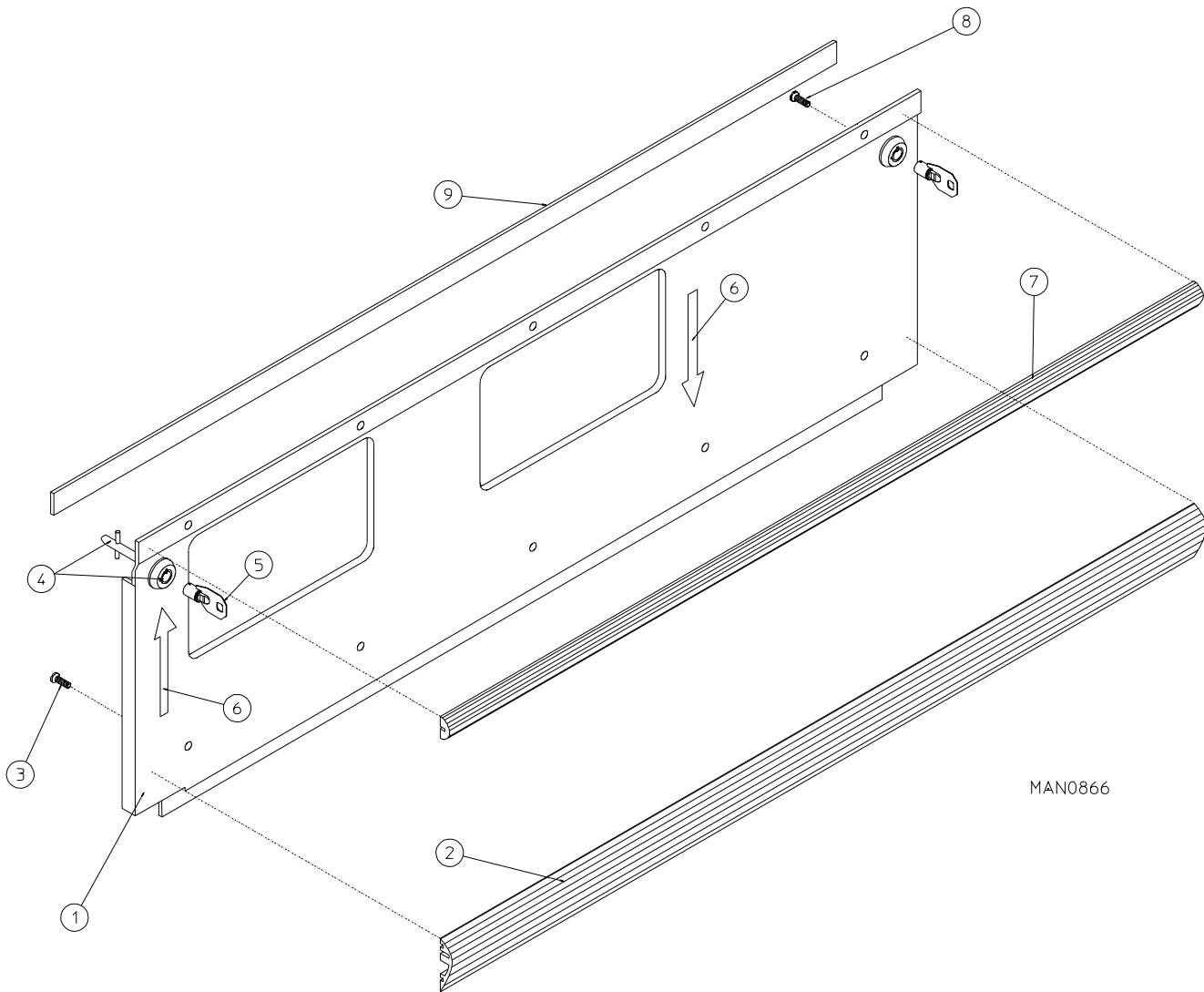
“IMPORTANT NOTE TO PURCHASER”

Information must be obtained from your local gas supplier on the instructions to be followed if the user smells gas. These instructions must be posted in a prominent location near the dryer.

Table of Contents

| | |
|--|----|
| Control Door Assembly | 4 |
| Lower Service Door Assembly | 5 |
| Microprocessor Control Panel / Box Assemblies for Coin Models Only | 6 |
| Microprocessor Control Panel / Box Assemblies for Non-Coin Models Only | 8 |
| Upper Front Panel Assembly | 10 |
| Upper Lint Screen Assembly | 11 |
| Upper Main Door Assembly | 12 |
| Upper Main Door Switch Assembly | 13 |
| Upper Tumbler / Support Assembly | 14 |
| Upper Temperature Sensor Bracket Assembly | 15 |
| Upper Tumbler Bearing Assembly | 16 |
| Upper Idler Bearing Assembly | 17 |
| Upper Totally Enclosed, Fan-Cooled Motor Mount Assembly | 18 |
| Upper Direct Spark Ignition Gas Valve / Burner Assembly | 20 |
| Upper Gas Burner Chamber Assembly | 22 |
| 3-Phase (3Ø) Motor, Electrical Relay Panel Assembly | 23 |
| Upper Sail Switch Assembly | 24 |
| Gas Piping Assembly | 25 |
| Exhaust Ducting Assembly | 26 |
| Back Guard Assembly | 27 |
| Microprocessor Coin Acceptor Listing | 28 |
| Additional Parts Available | 29 |

Control Door Assembly

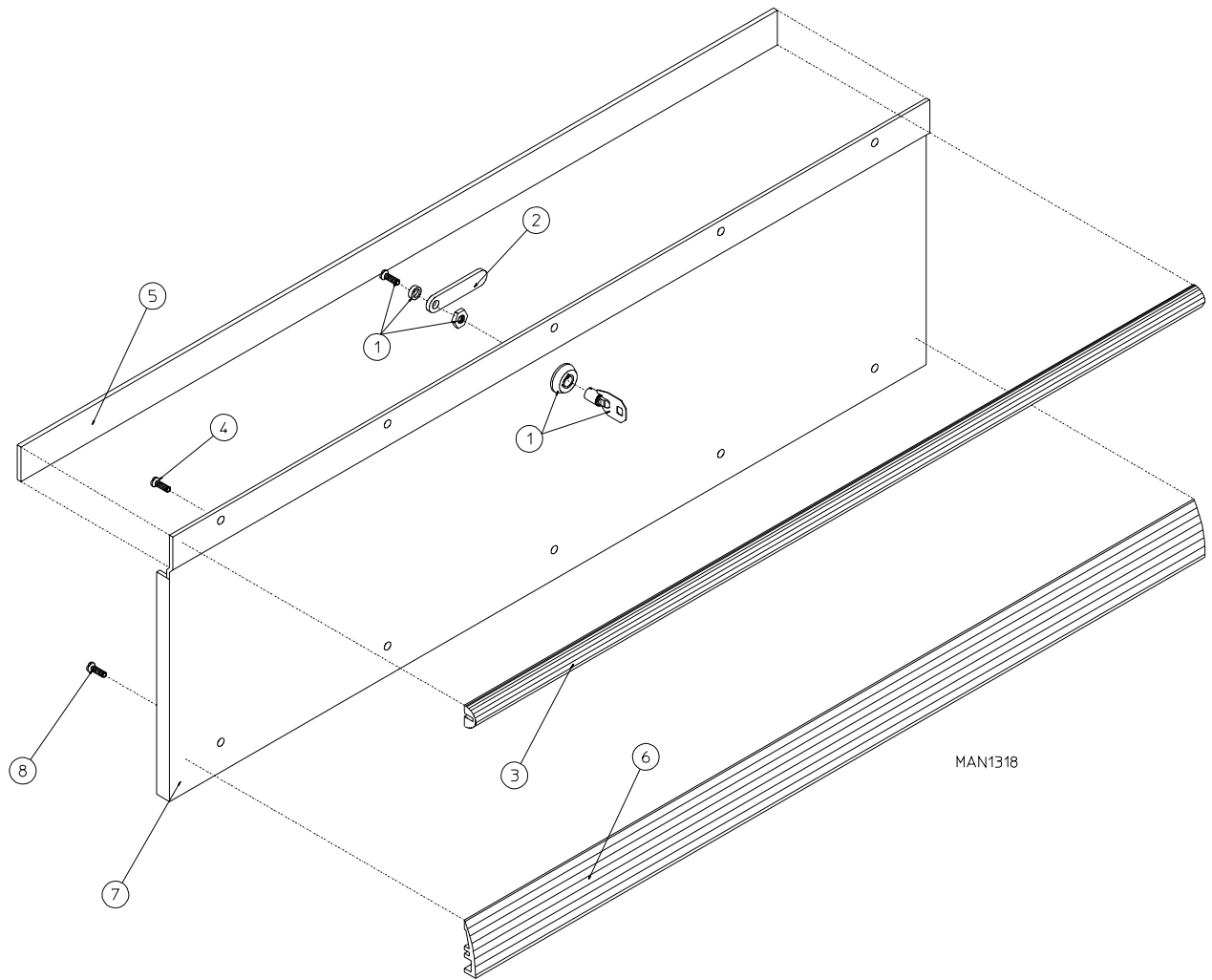


MAN0866

| Illus. No. | Part No. | Qty. | Description |
|------------|----------|------|---|
| 1 | 880136* | 1 | Control Door Assembly Complete Less Locks (includes illus. nos. 1 through 3 and 6 through 9) |
| | 880135 | 1 | Stainless Steel Control Door Assembly Complete Less Locks (includes illus. nos. 1 through 3 and 6 through 9) |
| | 850432* | 1 | Control Door Only |
| | 850416 | 1 | Stainless Steel Control Door Only |
| 2 | 180213 | 1 | Lower Trim Strip (28-3/8" length) |
| 3 | 150201 | 5 | #10-32 x 1/4" Phillips Round Head Machine Screw |
| 4 | 160040 | 2 | ACE® Lock Assembly Only without Key |
| 5 | 160140 | 2 | ACE® Key Only (key no. XX4451) |
| 6 | 112077 | 2 | "Arrow" Label |
| 7 | 180205 | 1 | Upper Trim Strip (28-3/8" length) |
| 8 | 150201 | 5 | #10-32 x 1/4" Phillips Round Head Machine Screw |
| 9 | 117600 | 3 | Noise Suppressor Tape (sold by the foot) |

* Specify color when ordering.

Lower Service Door Assembly



| <u>Illus. No.</u> | <u>Part No.</u> | <u>Qty.</u> | <u>Description</u> |
|-------------------|-----------------|-------------|--|
| 1 | 160038 | 1 | ACE® Lock Assembly Only without Key |
| | 160140* | 1 | ACE® Key Only (key no. XX4451) |
| 2 | 160034* | 1 | 1-3/8" Lock Cam Only |
| 3 | 180205 | 1 | Upper Trim Strip (28-3/8" length) |
| 4 | 150201 | 5 | #10-32 x 1/4" Phillips Round Head Machine Screw |
| 5 | 117600 | 3 | Noise Suppressor Tape (sold by the foot) |
| 6 | 180213 | 1 | Lower Trim Strip (28-3/8" length) |
| 7 | 880138** | 1 | Lower Service Door Assembly Complete Less Lock (includes illus. nos. 3 through 8) |
| | 880137 | 1 | Stainless Steel Lower Service Door Assembly Complete Less Lock (includes illus. nos. 3 through 8) |
| | 850609** | 1 | Lower Service Door Only |
| | 850637 | 1 | Stainless Steel Lower Service Door Only |
| 8 | 150201 | 5 | #10-32 x 1/4" Phillips Round Head Machine Screw |

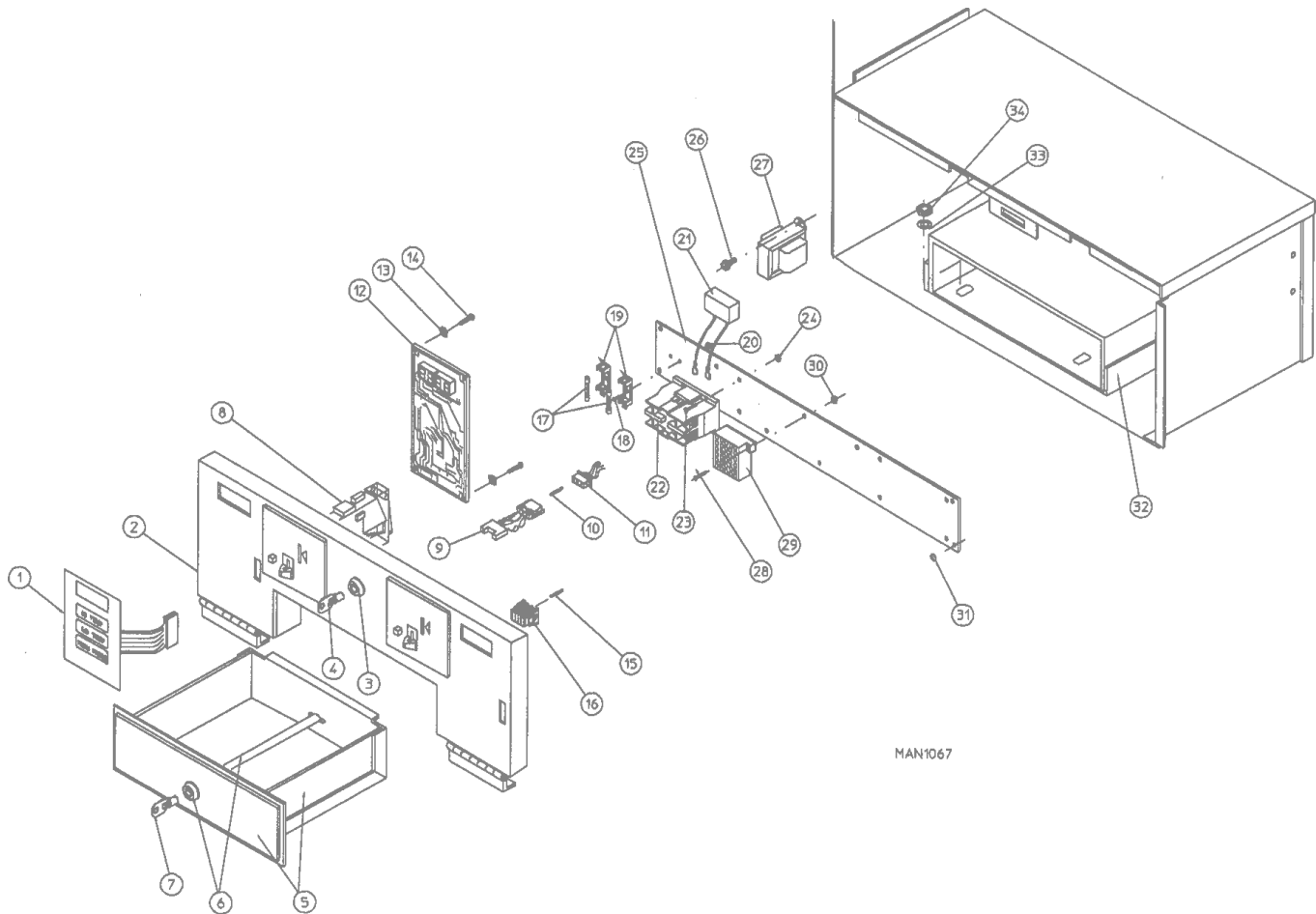
* Parts must be purchased separately.

** Specify color when ordering.

Microprocessor Control Panel / Box Assemblies

For Coin Models Only

Note: Duplicate All Components on Right Side of Control Box



MAN1067

| Illus. No. | Part No. | Qty. | Description |
|------------|----------|------|--|
| 1 | 112526 | 1 | Coin Keypad Label Assembly |
| 2 | 801201 | 1 | Phase 5 Microprocessor Coin Control Panel Assembly (includes illus. nos. 1, 2, and 12 through 14) |
| | 801251 | 1 | Phase 5 Microprocessor Coin Control Panel Only |
| 3 | 160041 | 1 | ACE® Lock Assembly Only without Key |
| 4 | 160141 | 1 | ACE® Key Only (key no. XX4469) |
| 5 | 802142 | 1 | Standard Coin Box Assembly Complete (includes illus. nos. 5 through 7) |
| | 802143 | 1 | High-Security Coin Box Assembly Complete (includes illus. nos. 5 through 7) |
| | 802021 | 1 | Standard Coin Box Only |
| | 802144 | 1 | High Security Coin Box Only |
| 6* | 160042 | 1 | ACE® Standard Coin Box Lock Assembly Only with Key |
| | 160043 | 1 | ACE® High-Security Coin Box Lock Assembly Only with Key |
| 7* | 160136 | 1 | Key Only (for standard coin box lock) |
| | 160135 | 1 | Key Only (for high-security coin box lock) |

Microprocessor Control Panel / Box Assemblies

For Coin Models Only

| <u>Illus. No.</u> | <u>Part No.</u> | <u>Qty.</u> | <u>Description</u> |
|-------------------|-----------------|-------------|--|
| 8 | ———— | 1 | Microprocessor Coin Acceptor with Optical Switch (refer to Microprocessor Coin Acceptor Listing on page 28) |
| 9 | 137056**** | 1 | Optic Switch Only |
| 10 | 137021**** | 3 | Microprocessor Socket Only |
| 11 | 137023**** | 1 | Optical Switch Connector Only |
| | 880772 | 1 | Single Coin Optical Switch Harness Only |
| | 824080 | 1 | Dual Coin Optical Switch Harness Only |
| 12 | 137213 | 1 | Phase 5 Coin Controller Only |
| | 824998 | 1 | Phase 5 Battery Clip |
| 13 | 153010 | 2 | #6 Star Washer |
| 14 | 150005 | 2 | #6-32 x 1/4" Phillips Round Head Machine Screw |
| 15 | 122706 | ** | Microprocessor Socket Only |
| 16 | 122641 | 1 | 15-Pin Microprocessor Connector Only |
| | 122800 | 1 | Microprocessor (female) Pin Extraction Tool |
| 17 | 136057 | 1 or 2 | 1/2-Amp (Slo-Blo) Fuse |
| 18 | 150002 | 1 or 2 | #6-32 x 1" Round Head Machine Screw |
| 19 | 136008 | 1 or 2 | 3-Position Fuse Block |
| 20 | 151000 | 1 or 2 | #6-32 Pal Nut |
| 21 | 824828 | 1 | RC Network with Connectors |
| 22 | 132451 | 1 | 2-Pole Contactor |
| 23 | 150103 | 2 | #8-32 x 3/4" Round Head Machine Screw |
| 24 | 151001 | 2 | #8-32 Pal Nut |
| 25 | 824435 | 1 | Control Box Panel Assembly Complete (gas models Only) (includes illus. nos. 19 through 22 and 25 through 27) |
| | 824436 | 1 | Control Box Panel Assembly Complete (electric models Only) (includes illus. nos. 19 through 22 and 25 through 27) |
| 26 | 150300 | 2 | #10 x 1/2" Hex Washer TEK Screw |
| 27 | 141403 | 1 | 24VAC Transformer (60 Hz models) |
| | 132023 | 1 | 24VAC Transformer (50 Hz models) |
| 28 | 150002 | 2 | #6-32 x 1" Slotted Round Head Screw |
| 29 | 120715 | 1 | 30-Position Terminal Block |
| 30 | 151000 | 2 | #6-32 Pal Nut |
| 31 | 151001 | 6 | #8-32 Hex Nut |
| 32 | 802140 | 1 | Standard Coin Vault Only |
| | 802141 | 1 | High-Security Coin Vault Only |
| 33 | 153018*** | 4 | 1/4" Flat Washer |
| 34 | 152104 | 4 | 1/4-20 Free Spin Wash Nut |
| | 152002*** | 4 | 1/4-20 Hex Nut |

IMPORTANT: Check label on computer chip to verify correct part number for controller.

* Specify key number when ordering.

** Quantity as required.

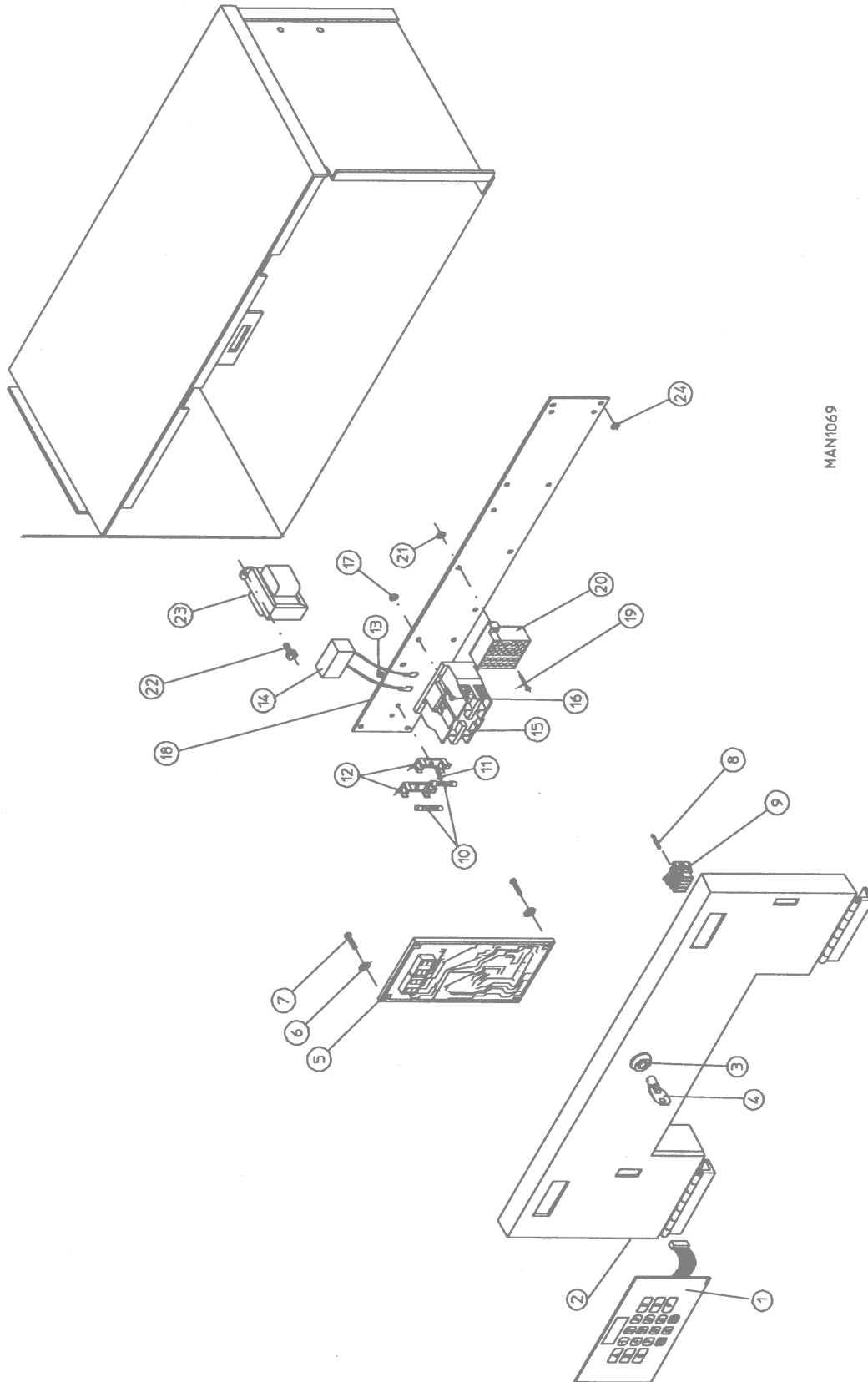
*** For use on high-security coin vault only.

**** For dual coin, double the quantity.

Microprocessor Control Panel / Box Assemblies

For Non-Coin Models Only

Note: Duplicate All Components on Right Side of Control Box



MAN1069

Microprocessor Control Panel / Box Assemblies

For Non-Coin Models Only

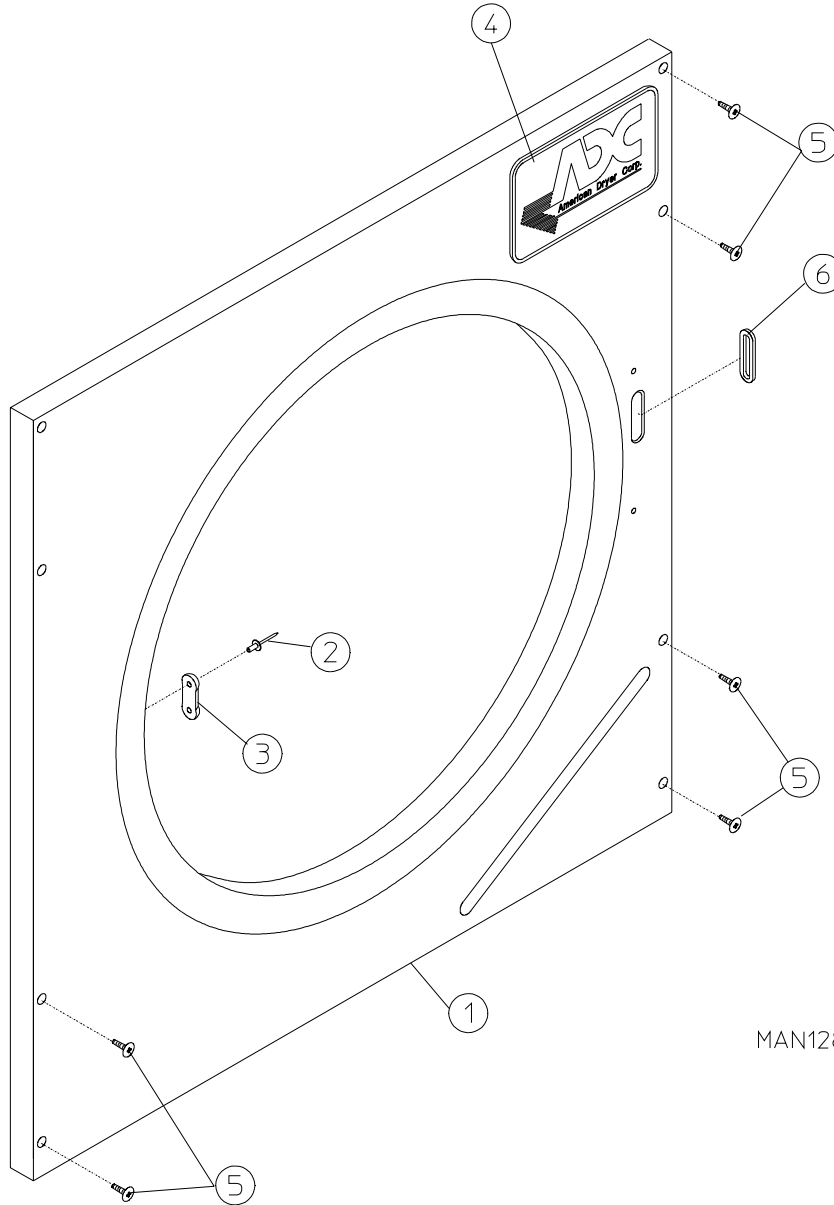
| <u>Illus. No.</u> | <u>Part No.</u> | <u>Qty.</u> | <u>Description</u> |
|-------------------|-----------------|-------------|--|
| 1 | 112535 | 1 | Non-Coin English Keypad Label Assembly |
| 2 | 824444 | 1 | Phase 5 Non-Coin Microprocessor Control Panel Assembly (includes illus. nos. 1, 2, and 5 through 7) |
| 3 | 160041 | 1 | ACE® Lock Assembly Only without Key (for control panel assembly) |
| 4 | 160141 | 1 | ACE® Key Only (key no. XX4469) |
| 5 | 137222 | 1 | Phase 5 Non-Coin Controller |
| | 824998 | 1 | Phase 5 Battery Clip |
| 6 | 153010 | 2 | #6 Star Washer |
| 7 | 150005 | 2 | #6-32 x 1/4" Phillips Round Head Machine Screw |
| 8 | 122706 | * | Microprocessor Socket |
| 9 | 122641 | 1 | 15-Pin Microprocessor Connector Only |
| 10 | 136057 | 1 or 2 | 1/2-Amp (Slo-Blo) Fuse |
| 11 | 150002 | 1 or 2 | #6-32 x 1" Round Head Machine Screw |
| 12 | 136008 | 1 or 2 | 3-Position Fuse Block |
| 13 | 151000 | 1 or 2 | #6-32 Pal Nut |
| 14 | 824828 | 1 | RC Network with Connectors |
| 15 | 132451 | 1 | 2-Pole Contactor |
| 16 | 150103 | 2 | #8-32 x 3/4" Round Head Machine Screw |
| 17 | 151001 | 2 | #8-32 Pal Nut |
| 18 | 824435 | 1 | Control Box Panel Assembly Complete (gas models Only) (includes illus. nos. 10 through 21) |
| | 824436 | 1 | Control Box Panel Assembly Complete (electric models Only) (includes illus. nos. 10 through 21) |
| 19 | 150002 | 2 | #6-32 x 1" Slotted Round Head Screw |
| 20 | 120715 | 1 | 30-Position Terminal Block |
| 21 | 151000 | 2 | #6-32 Pal Nut |
| 22 | 150300 | 2 | #10 x 1/2" Hex Washer TEK Screw |
| 23 | 141403 | 1 | 24VAC Transformer (60 Hz models) |
| | 132023 | 1 | 24VAC Transformer (50 Hz models) |
| 24 | 151001 | 6 | #8-32 Hex Nut |

IMPORTANT: Check label on computer chip to verify correct part number for controller.

* Quantity as required.

Upper Front Panel Assembly

Note: Duplicate All Components Except Logo for Lower Front Panel Assembly



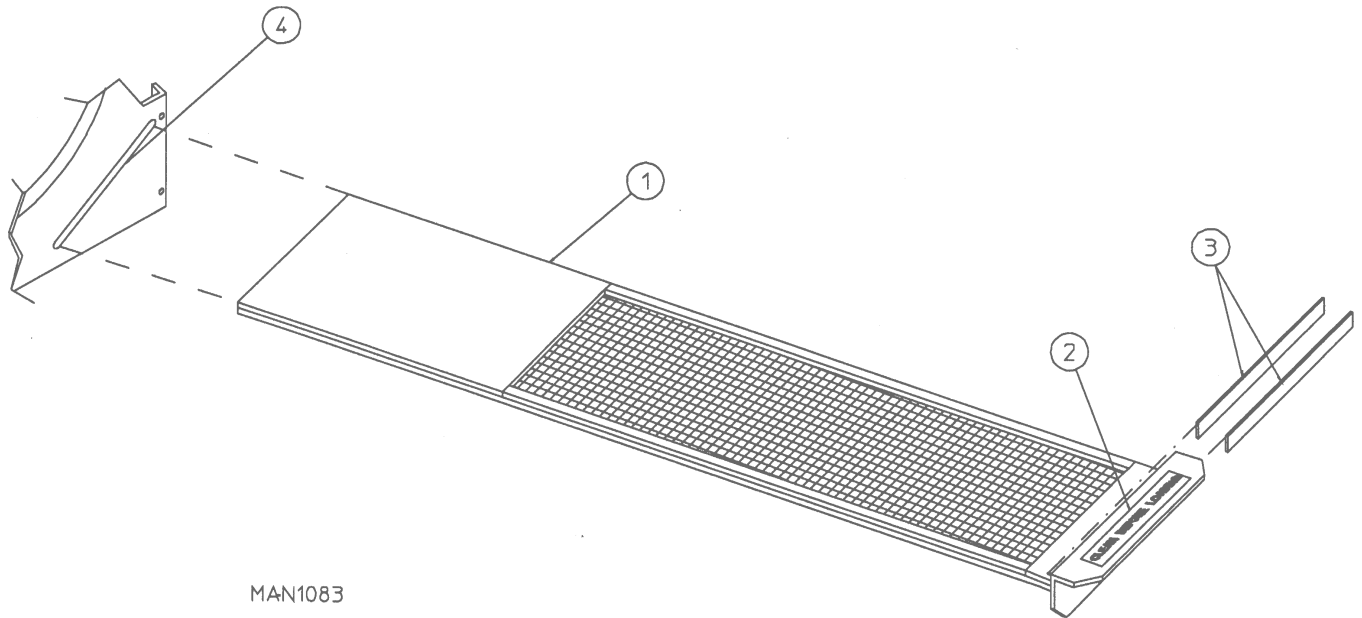
MAN1289

| Illus. No. | Part No. | Qty. | Description |
|------------|----------|------|--|
| 1 | 800680* | 1 | Front Panel Assembly Complete with Hinge (includes illus. nos. 1 through 4) |
| | 800681 | 1 | Stainless Steel Front Panel Assembly Complete with Hinge (includes illus. nos. 1 through 4) |
| 2 | 154215 | 2 | 5/32" Pop Rivet |
| 3 | 170330 | 1 | Friction Door Latch |
| 4 | 112350 | 1 | ADC Logo Only (for upper panel assembly Only) |
| | 870011 | 1 | Logo Double Tape Kit |
| 5 | 150415 | 8 | #10-16 x 1/2" Phillips Round Head Crimp-tite Screw |
| 6 | 121405 | 1 | Rubber Grommet |

* Specify color when ordering.

Upper Lint Screen Assembly

Note: Duplicate All Components for Lower Lint Screen Assembly



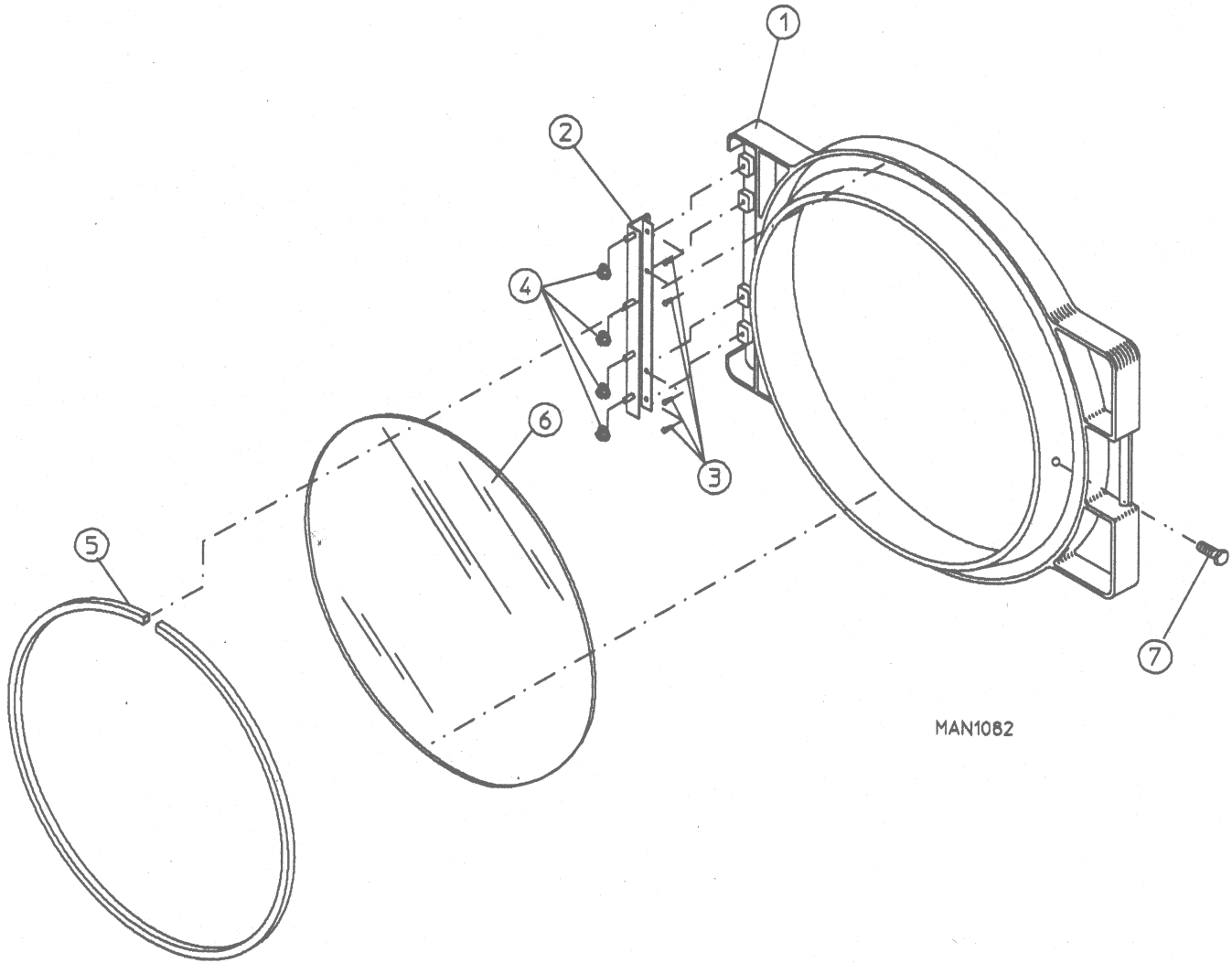
MAN1083

| Illus. No. | Part No. | Qty. | Description |
|------------|----------|------|---|
| 1 | 800416* | 1 | Lint Screen Assembly Complete (includes illus. nos. 1 through 3) |
| | 800430 | 1 | Stainless Steel Lint Screen Assembly Complete (includes illus. nos. 1 through 3) |
| 2 | 112078 | 1 | "Clean Before Loading" Decal |
| 3 | 117600 | 2 | Noise Suppressor Tape (sold by the foot) |
| 4 | — | 1 | Front Panel (refer to Upper Front Panel Assembly on page 10) |
| — | 880660 | 1 | Lint Track Cleaning Tool |

* Specify color when ordering.

Upper Main Door Assembly

Note: Duplicate All Components for Lower Main Door Assembly

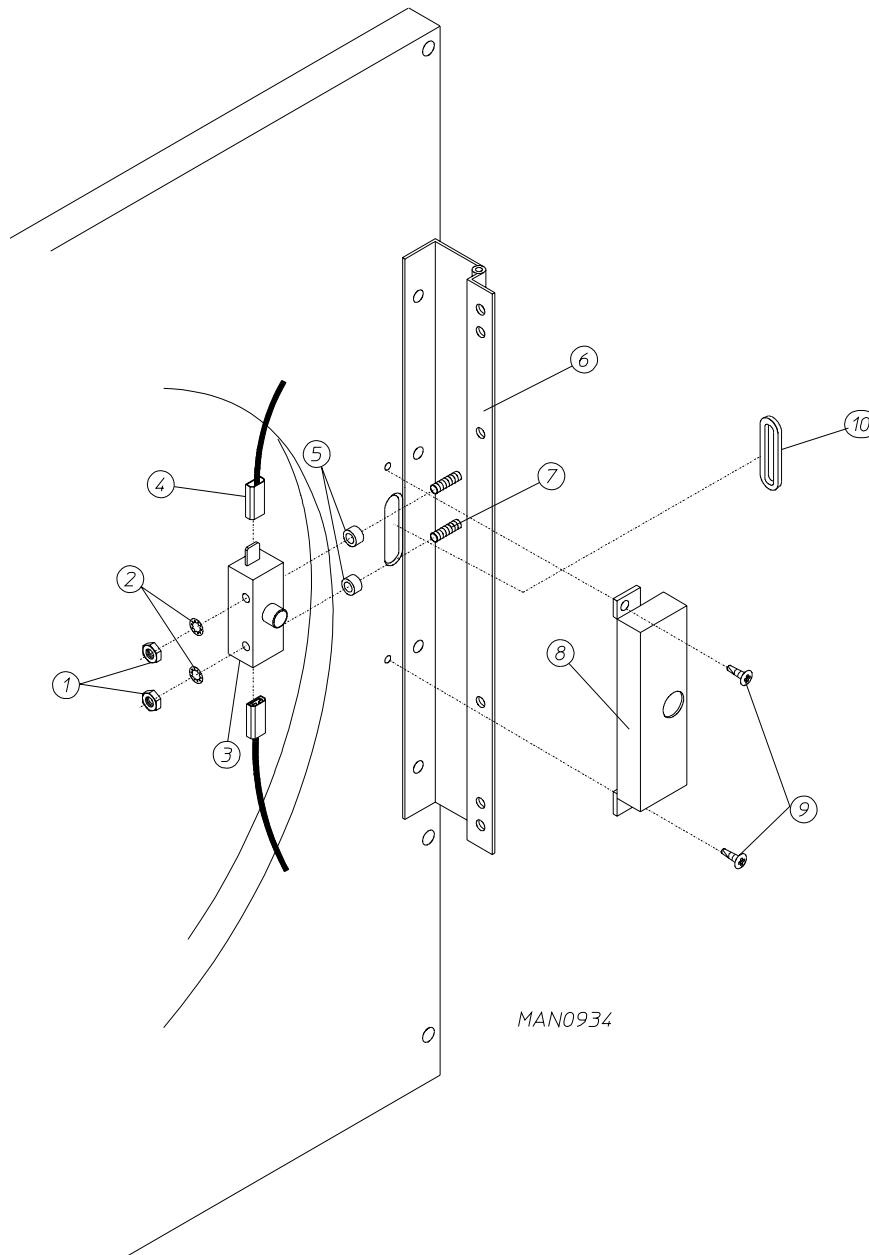


| Illus. No. | Part No. | Qty. | Description |
|------------|----------|------|--|
| 1* | 800285 | 1 | Gray Main Door Assembly (latch-type) Complete (includes illus. nos. 1 and 5 through 7) |
| 2 | 800448 | 1 | 12-1/2" Stainless Steel Main Door Hinge |
| 3 | 150410 | 4 | #10-24 x 3/8" Phillips Pan Head Taptite Screw |
| 4 | 152014 | 4 | 1/4-20 Free Spin Wash Nut |
| 5 | 102353 | 1 | 69-1/2" Main Door Gasket |
| | 170730 | 1 | Main Door Gasket Adhesive (10.3 oz. cartridge) |
| 6 | 102210 | 1 | 20-7/16" Door Glass |
| | 170730 | 1 | Main Door Glass Adhesive (10.3 oz. cartridge) |
| 7 | 150431 | 1 | Main Door Latch Screw (#10 x 7/16" dome head screw) |

* Contact factory for colors other than gray.

Upper Main Door Switch Assembly

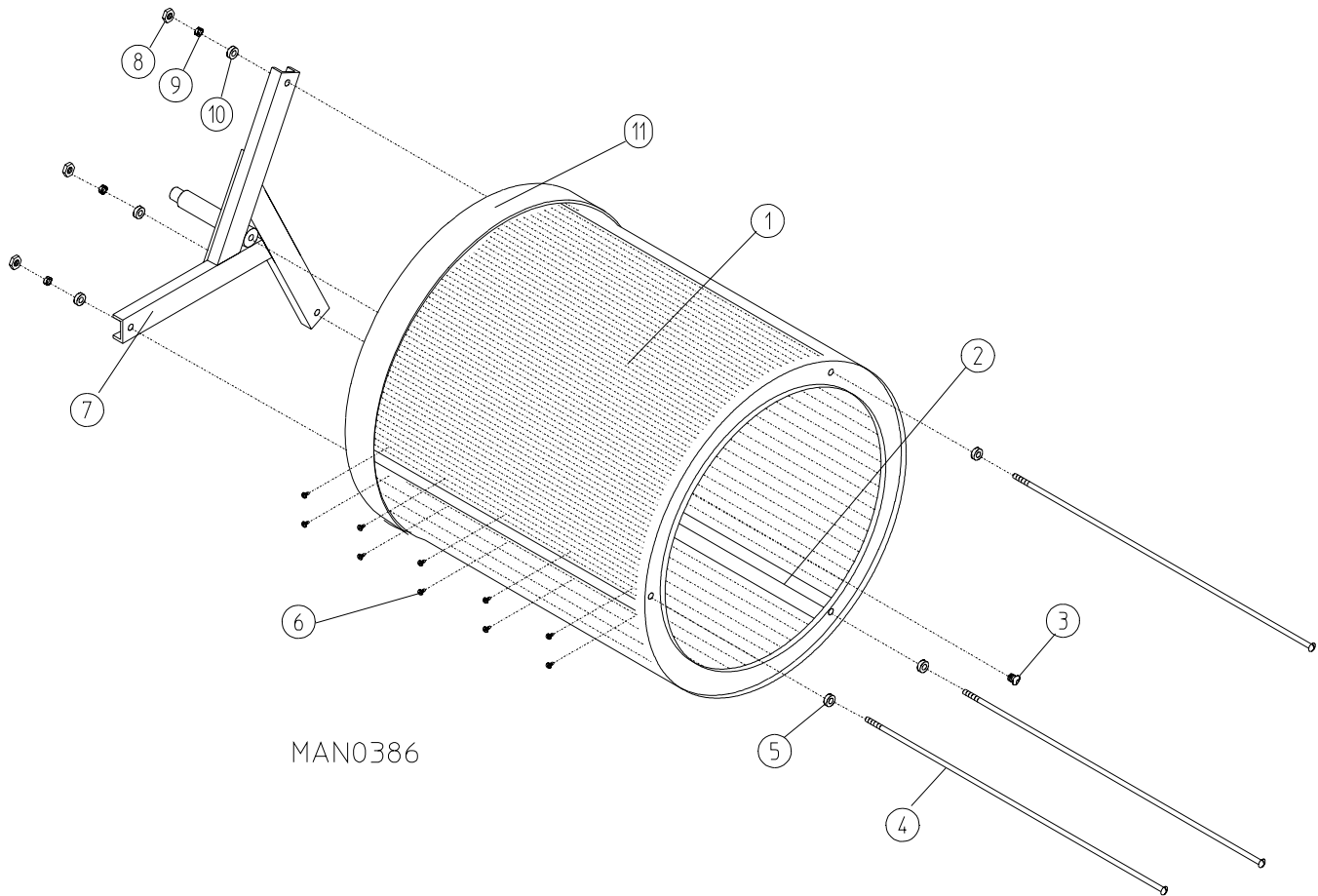
Note: Duplicate All Components for Lower Main Door Switch Assembly



| Illus. No. | Part No. | Qty. | Description |
|------------|----------|------|---|
| 1 | 152012 | 2 | #6-32 Hex Nut |
| 2 | 153008 | 2 | #6 Split Lock Washer |
| 3 | 137005 | 1 | Single Pole Door Switch |
| 4 | 121028 | 2 | Insulated Female Terminal |
| 5 | 154281 | 2 | 3/8" Standard Nylon Spacer |
| 6 | 800448 | 1 | 12-1/2" Stainless Steel Main Door Hinge (includes illus. nos. 6 and 7) |
| 7 | 153565 | 2 | #6 Stud |
| 8 | 313218 | 1 | Main Door Switch Housing |
| 9 | 150201 | 2 | #10-32 x 1/4" Phillips Pan Head Screw |
| 10 | 121405 | 1 | Rubber Grommet |

Upper Tumbler / Support Assembly

Note: Duplicate All Components for Lower Tumbler / Support Assembly

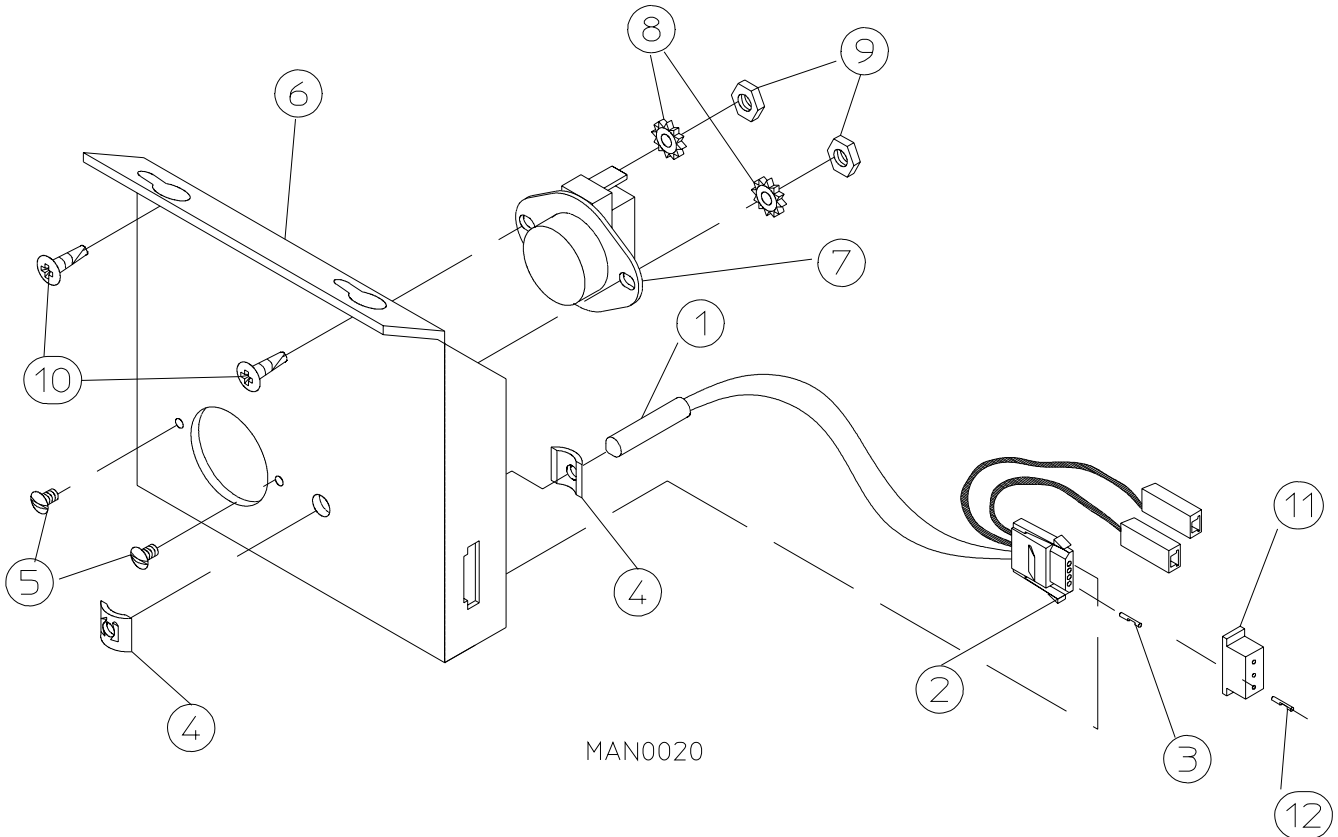


MAN0386

| Illus. No. | Part No. | Qty. | Description |
|------------|----------|------|--|
| 1 | 800831 | 1 | (Tapered Rib) Basket and Support Assembly Complete with Felt Collar (includes illus. nos. 1 through 11) |
| | 800891 | 1 | Stainless Steel (Tapered Rib) Basket and Support Assembly Complete with Felt Collar (includes illus. nos. 1 through 11) |
| | 800721 | 1 | (Tapered Rib) Basket Only without Felt Collar (includes illus. nos. 1, 2, and 6) |
| | 800841 | 1 | Stainless Steel (Tapered Rib) Basket without Felt Collar (includes illus. nos. 1, 2, and 6) |
| 2 | 301315 | 2 | Short Basket Rib Only |
| | 301316 | 1 | Tall Basket Rib Only |
| | 301414 | 2 | Stainless Steel Short Basket Rib Only |
| | 301415 | 1 | Stainless Steel Tall Basket Rib Only |
| 3 | 150518 | 1 | 5/16-18 x 3/8" Socket Button Head Screw |
| 4 | 100902 | 3 | 5/16-18 x 31" Tie Rod |
| 5 | 153001 | 3 | 5/16" Flat Washer |
| 6 | 154210 | 30 | 5/32" x 3/16" Pop Rivet |
| 7 | 800617 | 1 | Tumbler Support Only |
| 8 | 152004 | 3 | 5/16-18 Hex Nut |
| 9 | 153002 | 3 | 5/16" Lock Washer |
| 10 | 153001 | 3 | 5/16" Flat Washer |
| 11 | 116003 | 1 | Felt Collar Only |
| — | 401010 | 1 | #847 Adhesive for Felt Collar (5 oz. tube) |

Upper Temperature Sensor Bracket Assembly

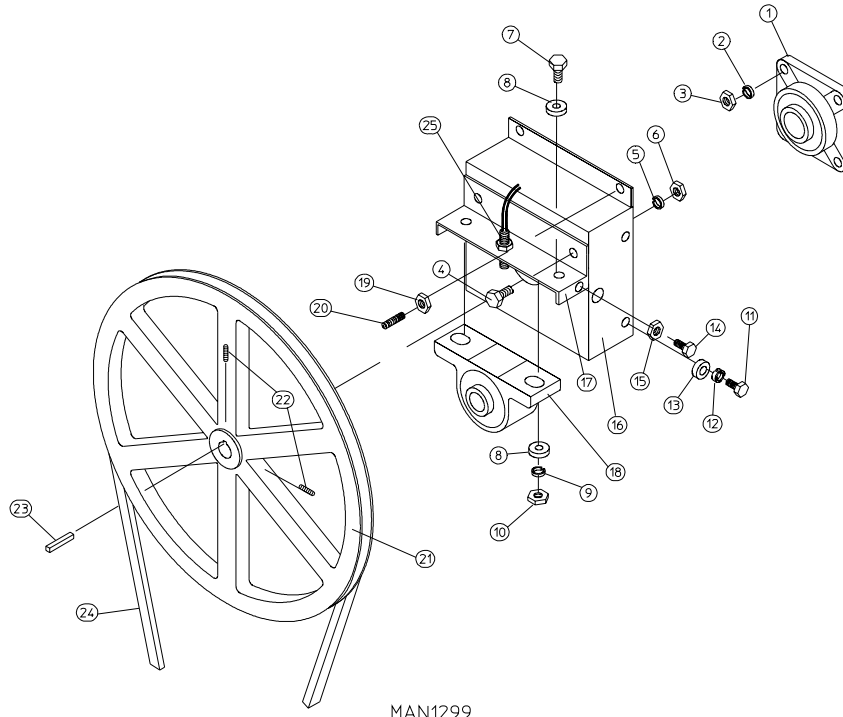
Note: Duplicate All Components for Lower Temperature Sensor Bracket Assembly



| Illus. No. | Part No. | Qty. | Description |
|------------|----------|------|--|
| 1 | 880251 | 1 | 1/4" Temperature Sensor Probe Assembly (includes illus. nos. 1 through 4) |
| 2 | 122605 | 1 | 4-Pin Socket Connector Only |
| 3 | 122701 | 4 | Socket Terminal Only |
| 4 | 154007 | 2 | 1/4" Tinnerman Push-On Fastener |
| 5 | 150000 | 2 | #6-32 x 1/4" Round Head Machine Screw |
| 6 | 801428 | 1 | Temperature Sensor Bracket Assembly Complete (includes illus. nos. 1 through 9) |
| | 305107 | 1 | Temperature Sensor Bracket Only |
| 7 | 130103 | 1 | 225° Large Automatic Reset Thermostat |
| 8 | 153010 | 2 | #6 Star Washer |
| 9 | 152000 | 2 | #6-32 Hex Nut |
| 10 | 150301 | 2 | #8-18 x 7/16" Phillips Pan Head TEK Screw |
| 11 | 122604 | 1 | 4-Pin Connector Only |
| 12 | 122700 | 4 | Pin Terminal Only |
| — | 122801 | 1 | Pin / Socket Extraction Tool |

Upper Tumbler Bearing Assembly

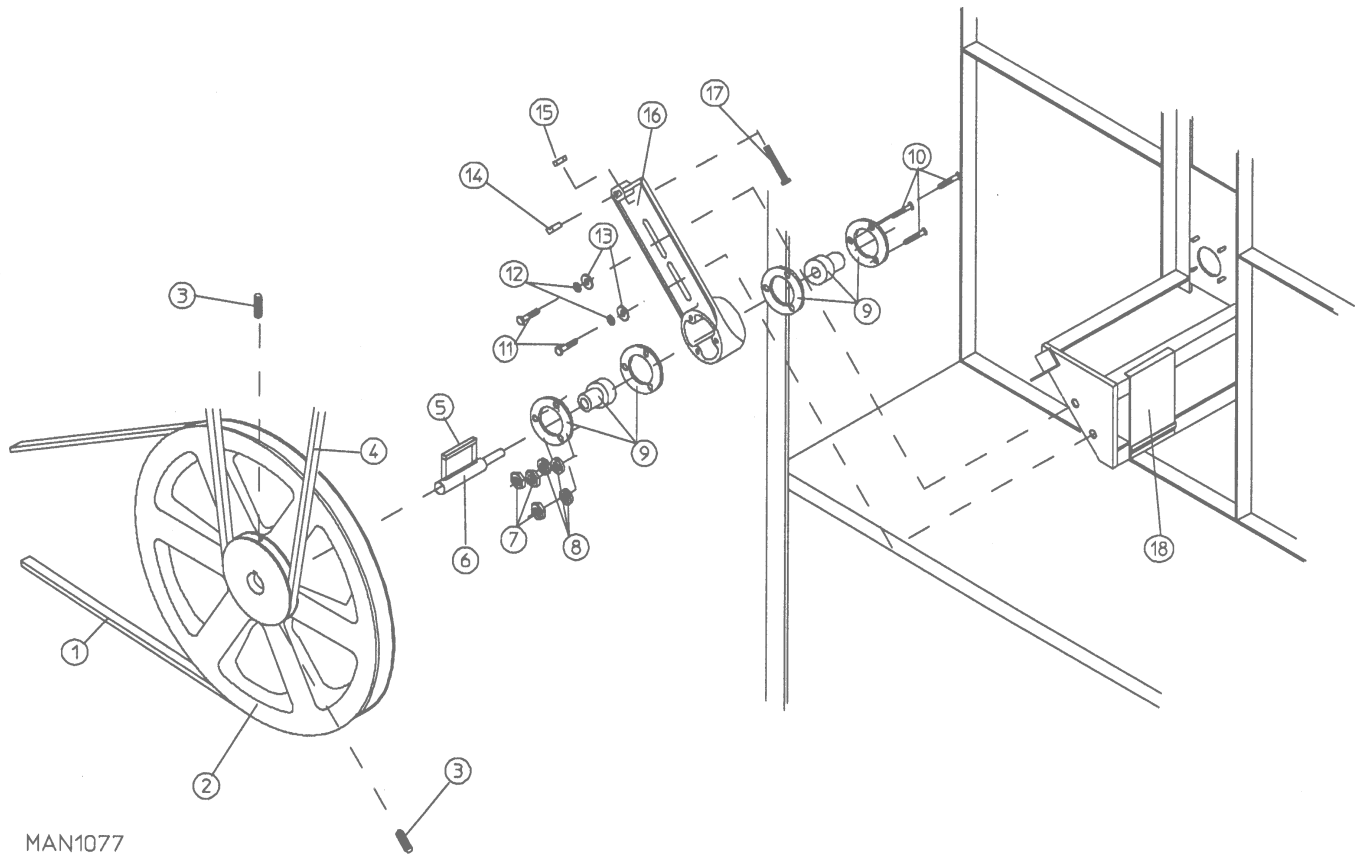
Note: Duplicate All Components for Lower Tumbler Bearing Assembly



| Illus. No. | Part No. | Qty. | Description |
|------------|----------|------|--|
| 1 | 100203 | 1 | 1-3/8" Flange Bearing |
| 2 | 153005 | 4 | 3/8" Lock Washer |
| 3 | 152005 | 4 | 3/8-16 Hex Nut |
| 4 | 150508 | 2 | 3/8-16 x 3/4" Hex Head Machine Bolt |
| 5 | 153005 | 2 | 3/8" Lock Washer |
| 6 | 152005 | 2 | 3/8-16 Hex Nut |
| 7 | 150600 | 2 | 3/8-16 x 1-1/2" Hex Head Machine Bolt |
| 8 | 153004 | 2 | 3/8" Flat Washer |
| 9 | 153005 | 2 | 3/8" Lock Washer |
| 10 | 152005 | 2 | 3/8-16 Hex Nut |
| 11 | 150501 | 4 | 5/16-18 x 3/4" Hex Head Machine Bolt |
| 12 | 153002 | 4 | 5/16" Lock Washer |
| 13 | 153001 | 4 | 5/16" Flat Washer |
| 14 | 150621 | 2 | 5/16-18 x 1-1/2" Hex Head Machine Bolt |
| 15 | 152004 | 2 | 5/16-18 Hex Nut |
| 16 | 801101 | 1 | 1-3/8" Bearing Box Assembly Complete (for models without rotational sensor) (includes illus. nos. 4 through 20) |
| | 801103 | 1 | 1-3/8" Bearing Box and Support Only (includes illus. nos. 9, 10, and 13 through 15) |
| | 801105 | 1 | 1-3/8" Bearing Box Only |
| 17 | 801104 | 1 | Pillow Block Bearing Support Only |
| 18 | 880779 | 1 | 1-3/8" Pillow Block Bearing Assembly with Magnet (for models with rotational sensor) |
| | 100202 | 1 | 1-3/8" Pillow Block Bearing |
| 19 | 152004 | 2 | 5/16-18 Hex Nut |
| 20 | 150610 | 2 | 5/16-18 x 1-1/2" Allen Setscrew |
| 21 | 101100 | 1 | 18" Pulley |
| 22 | 154301 | 2 | 5/16-18 x 5/16" Allen Setscrew |
| 23 | 100713 | 1 | 1/4" x 1/4" x 7/8" Key |
| 24 | 100100 | 1 | 5L660 V-Belt (to idler assembly) |
| 25 | 824807 | 1 | Rotational Sensor Assembly |

Upper Idler Bearing Assembly

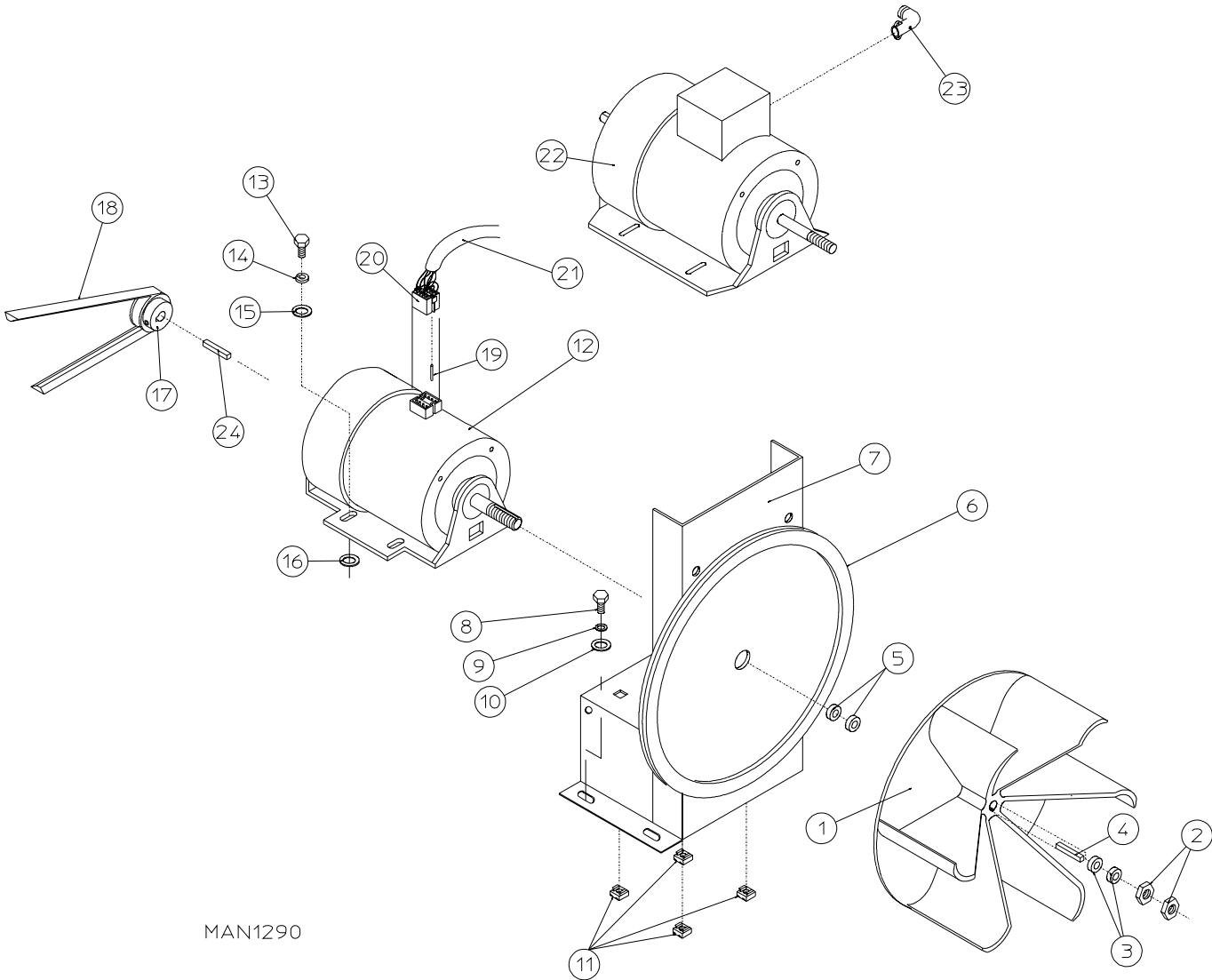
Note: Duplicate All Components for Lower Idler Bearing Assembly



| Illus. No. | Part No. | Qty. | Description |
|------------|----------|------|--|
| 1 | 100113 | 1 | 4L400 V-Belt (to motor pulley) for 60 Hz Models Only |
| | 100115 | 1 | 4L410 V-Belt (to motor pulley) for 50 Hz Models Only |
| 2 | 101129 | 1 | 9" x 2-1/2", 3/16" Key, Pulley |
| 3 | 154301 | 2 | 5/16-18 x 5/16" Allen Setscrew |
| 4 | 100100 | 1 | 5L660 V-Belt (to tumbler pulley) |
| 5 | 100705 | 1 | 3/16" x 3/16" x 1-3/8" Key |
| 6 | 301850 | 1 | 5/8" x 3/4" Idler Shaft |
| 7 | 152002 | 3 | 1/4-20 Hex Nut |
| 8 | 153007 | 3 | 1/4" Lock Washer |
| 9 | 100214 | 2 | 5/8" Flange Bearing |
| 10 | 150521 | 3 | 1/4-20 x 2" Carriage Bolt |
| 11 | 150617 | 2 | 3/8-16 x 1" Hex Head Machine Bolt |
| 12 | 153005 | 2 | 3/8" Lock Washer |
| 13 | 153004 | 2 | 3/8" Flat Washer |
| 14 | 152020 | 1 | 5/16-18 Standard Square Nut |
| 15 | 152004 | 1 | 5/16-18 Hex Nut |
| 16 | 801010 | 1 | Idler Bearing Assembly Complete (includes illus. nos. 6 through 17) |
| | 100406 | 1 | Idler Bearing Mount Only |
| 17 | 150509 | 1 | 5/16-18 x 3" Hex Head Machine Bolt |
| 18 | — | | Direct Spark Ignition Module Mounting Bracket (refer to Upper Direct Spark Ignition Gas Valve / Burner Assembly on page 20) |

Upper Totally Enclosed, Fan-Cooled Motor Mount Assembly

Note: Duplicate All Components for Lower Totally Enclosed, Fan-Cooled Motor Mount Assembly



MAN1290

Upper Totally Enclosed, Fan-Cooled Motor Mount Assembly

Note: Duplicate All Components for Lower Totally Enclosed, Fan-Cooled Motor Mount Assembly

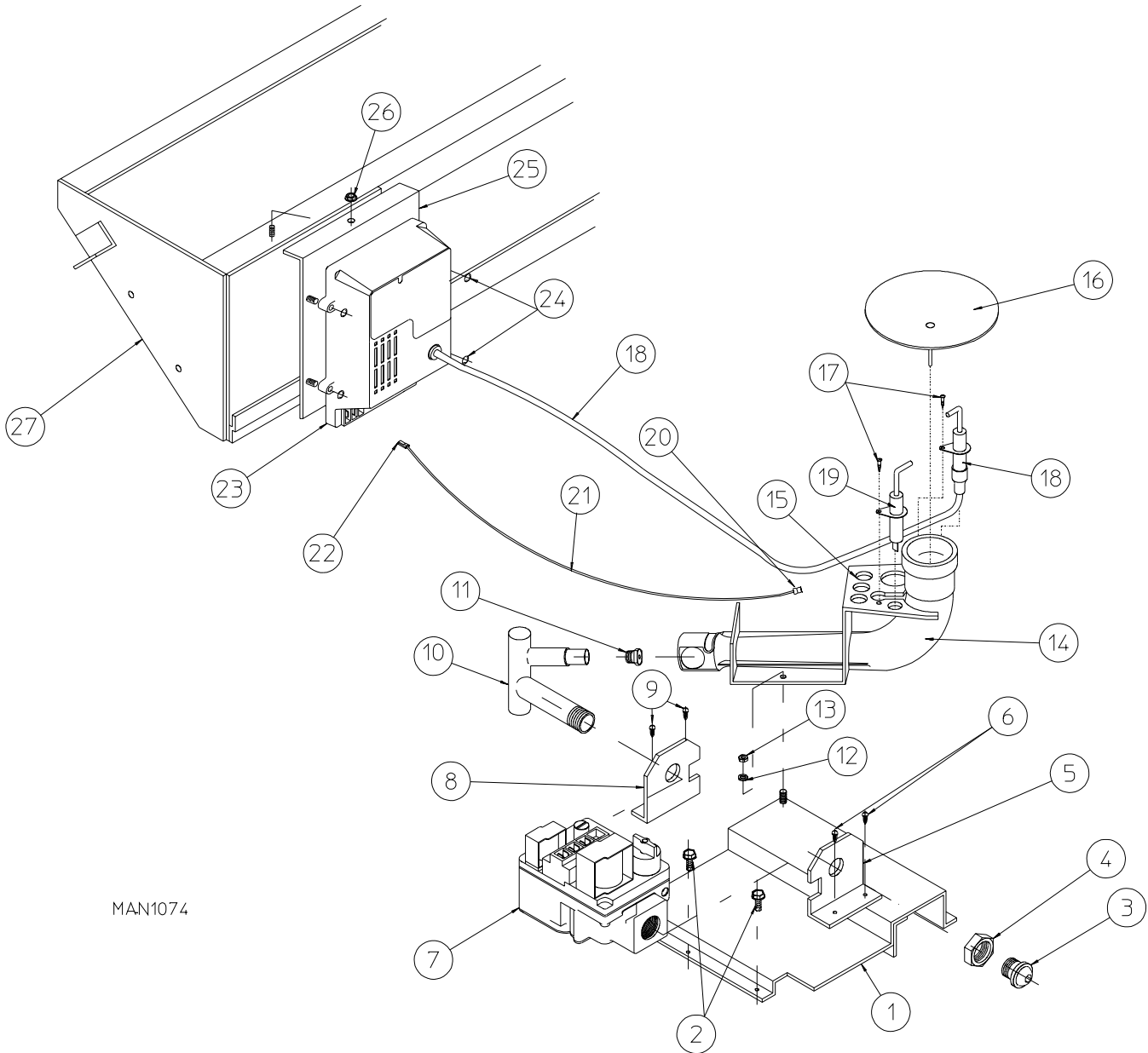
| <u>Illus. No.</u> | <u>Part No.</u> | <u>Qty.</u> | <u>Description</u> |
|-------------------|-----------------|-------------|---|
| 1 | 100604 | 1 | 12-1/2" Impellor with 1/2" Bore |
| 2 | 152006 | 2 | 1/2-20 Left-Hand Jam Nut |
| 3 | 153050 | * | 1/2" S.A.E. Flat Washer |
| 4 | 100702 | 1 | 1/8" x 1/8" x 1-1/2" Key |
| 5 | 153050 | * | 1/2" S.A.E. Flat Washer |
| 6 | 117600 | 4 | Noise Suppressor Tape (sold by the foot) |
| 7 | 850019 | 1 | Motor Mount Only |
| | 803963** | 1 | 1/2 hp, 100v – 50 Hz / 115-230v – 60 Hz 1ø Totally Enclosed, Fan-Cooled Motor Mount Assembly Complete with Plug Motor (includes illus. nos. 1 through 7 and 11 through 17) |
| | 803961** | 1 | 1/2 hp 240v – 50 Hz 1ø Totally Enclosed, Fan-Cooled Motor Mount Assembly Complete with Plug Motor (for models mfd. as of August 28, 1992) (includes illus. nos. 1 through 7 and 11 through 17) |
| | 803902** | 1 | 1/2 hp 208 / 230 / 380 / 460v 50 Hz 3ø Totally Enclosed, Fan-Cooled Motor Mount Assembly Complete (includes illus. nos. 1 through 7, 11, 13 through 17, 22, and 23) |
| | 880848** | 1 | 1/2 hp 208 / 230 / 380 / 460v 60 Hz 3ø Totally Enclosed, Fan-Cooled Motor Mount Assembly Complete (includes illus. nos. 1 through 7, 11, 13 through 17, 22, and 23) |
| | 803887** | 1 | 1/2 hp 240v 50 Hz 1ø Totally Enclosed, Fan-Cooled Motor Mount Assembly Complete without Plug Motor (for models mfd. prior to August 28, 1992) (includes illus. nos. 1 through 7, 11, 13 through 17, 22, and 23) |
| 8 | 150501 | 4 | 5/16-18 x 3/4" Hex Head Machine Bolt |
| 9 | 153002 | 4 | 5/16" Lock Washer |
| 10 | 153001 | 4 | 5/16" Flat Washer |
| 11 | 154000 | 4 | 5/16-18 Tinnerman Nut |
| 12 | 100065 | 1 | 1/2 hp, 100v – 50 Hz / 115-230v – 60 Hz 1ø Totally Enclosed, Fan-Cooled Motor with Plug |
| | 100066 | 1 | 1/2 hp, 240v – 50 Hz – 1ø Totally Enclosed, Fan-Cooled Motor with Plug (for models mfd. as of August 28, 1992) |
| 13 | 150501 | 4 | 5/16-18 x 3/4" Hex Head Machine Bolt |
| 14 | 153002 | 4 | 5/16" Lock Washer |
| 15 | 153001 | 4 | 5/16" Flat Washer |
| 16 | 153001 | * | 5/16" Flat Washer |
| 17 | 101131 | 1 | 1/2" x 2-1/4" Motor Pulley (used on 1ø, 60 Hz motors Only) |
| | 101133 | 1 | 5/8" x 2-1/4" Motor Pulley (used on 3ø, 60 Hz motors Only) |
| | 101130 | 1 | 5/8" x 2-1/2" Motor Pulley (used on 1ø / 3ø, 50 Hz motors Only) |
| 18 | 100113 | 1 | 4L400 V-Belt (to idler assembly) 60 Hz Models Only |
| | 100115 | 1 | 4L410 V-Belt (to idler assembly) 50 Hz Models Only |
| 19 | 122701 | 8 | Socket Terminal Only |
| 20 | 137030 | 1 | 8-Pin Housing Only |
| | 122801 | 1 | Pin / Socket Extraction Tool |
| 21 | 837005 | 1 | 115V / 1ø Motor Harness with Plug |
| | 837006 | 1 | 230V / 1ø Motor Harness with Plug |
| 22 | 100035 | 1 | 1/2 hp 240v – 50 Hz – 1ø Totally Enclosed, Fan-Cooled Motor (for models mfd. prior to August 28, 1992) |
| | 100007 | 1 | 1/2 hp 208 / 230 / 380 / 460v – 50 / 60 Hz – 3ø Totally Enclosed, Fan-Cooled Motor |
| 23 | 120200 | 1 | 3/8" x 90° Connector |
| 24 | 100701 | 1 | 3/16" x 3/16" x 1" Key (used on 3ø models Only) |

* As required.

** Specify voltage when ordering.

Upper Direct Spark Ignition Gas Valve / Burner Assembly

Note: Duplicate All Components for Lower Direct Spark Ignition Gas Valve / Burner Assembly



MAN1074

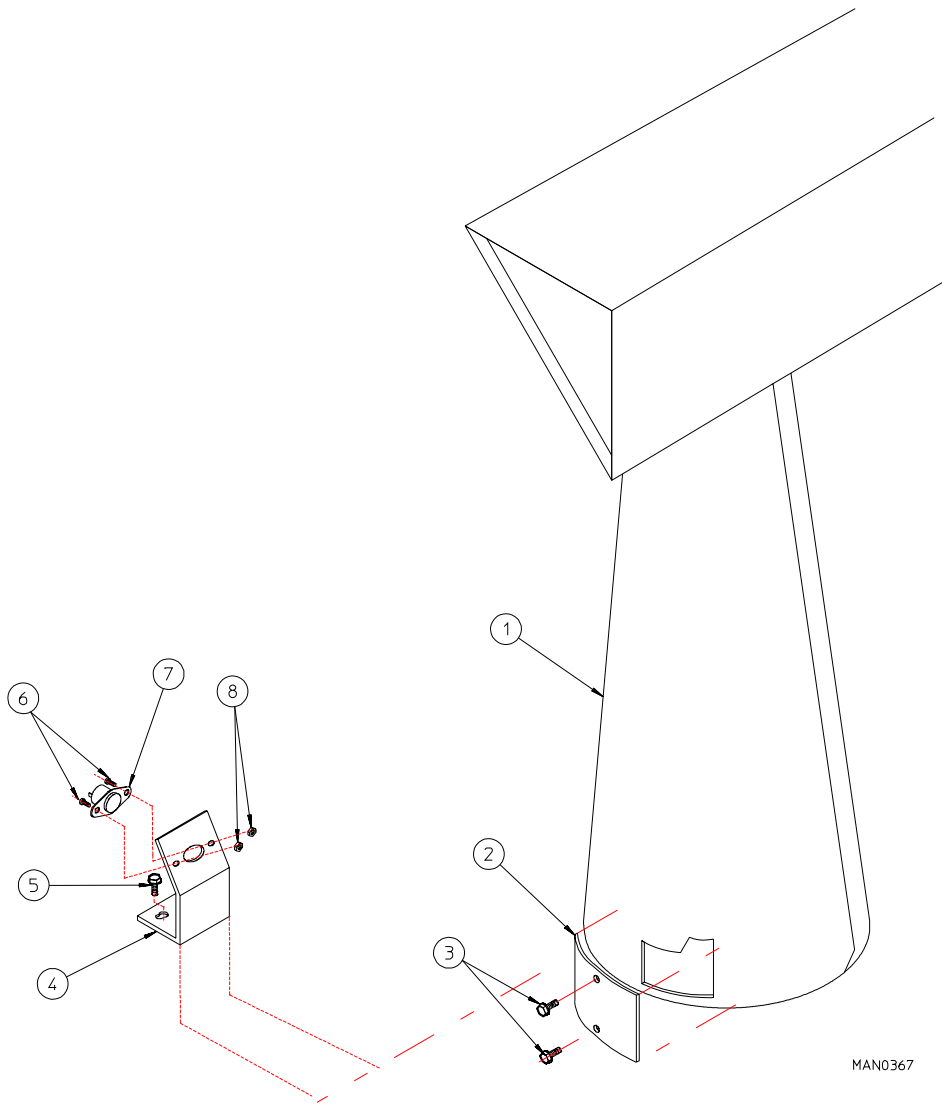
Upper Direct Spark Ignition Gas Valve / Burner Assembly

Note: Duplicate All Components for Lower Direct Spark Ignition Gas Valve / Burner Assembly

| <u>Illus. No.</u> | <u>Part No.</u> | <u>Qty.</u> | <u>Description</u> |
|-------------------|-----------------|-------------|--|
| 1 | 850804 | 1 | Direct Spark Ignition Gas Valve / Burner Tube Mounting Plate Only |
| | 809313 | 1 | Direct Spark Ignition (natural gas) Gas Valve / Burner Assembly Complete Less Orifice (includes illus. nos. 1, 3, 5 through 10, and 12 through 22) |
| | 809314 | 1 | Direct Spark Ignition (liquid propane) Gas Valve / Burner Assembly Complete Less Orifice (includes illus. nos. 1, 3, 5 through 10, and 12 through 22) |
| 2 | 150300 | 2 | #10 x 1/2" Hex Washer TEK Screw |
| 3 | 141303 | 1 | 1/2" Union Tailpiece Only |
| 4 | 141325 | 1 | Tailpiece Collar Only |
| 5 | 318650 | 1 | Notched Pipe Bracket |
| 6 | 150301 | 2 | #8-18 x 7/16" Phillips Pan Head TEK Screw |
| 7 | 128927 | 1 | 1/2" 24VAC Redundant (natural gas) Gas Valve |
| | 140411 | 1 | 1/2" 24VAC Gas Valve Liquid Propane Conversion Kit |
| 8 | 318650 | 1 | Notched Pipe Bracket |
| 9 | 150301 | 2 | #8-18 x 7/16" Phillips Pan Head TEK Screw |
| 10 | 141235 | 1 | 1/2" Single Port Manifold |
| 11 | 140828 | 2 | #20 Burner Orifice (natural gas) |
| | 140811 | 2 | #41 Burner Orifice (liquid propane gas) |
| 12 | 153000 | 1 | #8 Steel Burr |
| 13 | 152001 | 1 | #8-32 Hex Nut |
| 14 | 141130 | 1 | Direct Spark Ignition Up-Shot Burner Tube |
| 15 | 318009 | 1 | Burner Tube Bracket (PSE) |
| 16 | 141109 | 1 | Flame Spreader Only |
| 17 | 150315 | 2 | #6 x 3/8" Phillips Pan Head Machine Screw |
| 18 | 829998 | 1 | Spark Electrode with High Voltage Wire (for models with 1/4" spade connection at module) |
| | 128917 | 1 | Spark Electrode with High Voltage Wire (for models with spike style connection at module) |
| | 305412 | 1 | Direct Spark Ignition Ignitor Gap Feeler Gauge ... Not Illustrated |
| 19 | 128918 | 1 | Flame-Sensor Probe |
| 20 | 121006 | 1 | #10 Insulated Terminal |
| 21 | 132607 | 2 | #18 Gauge (red silicone) Wire (sold by the foot) |
| 22 | 121028 | 1 | 1/4" x .032 Insulated Terminal |
| 23 | 884284 | 1 | Direct Spark Ignition Module |
| 24 | 151000 | 4 | #6-32 Pal Nut |
| 25 | 801013 | 1 | Direct Spark Ignition Module Mounting Bracket |
| 26 | 152014 | 1 | 1/4-20 Free Spin Wash Nut |
| 27 | ———— | — | Idler Bearing Mount (refer to Upper Idler Bearing Assembly on page 17) |
| | 874057 | 1 | Liquid Propane Conversion Kit |

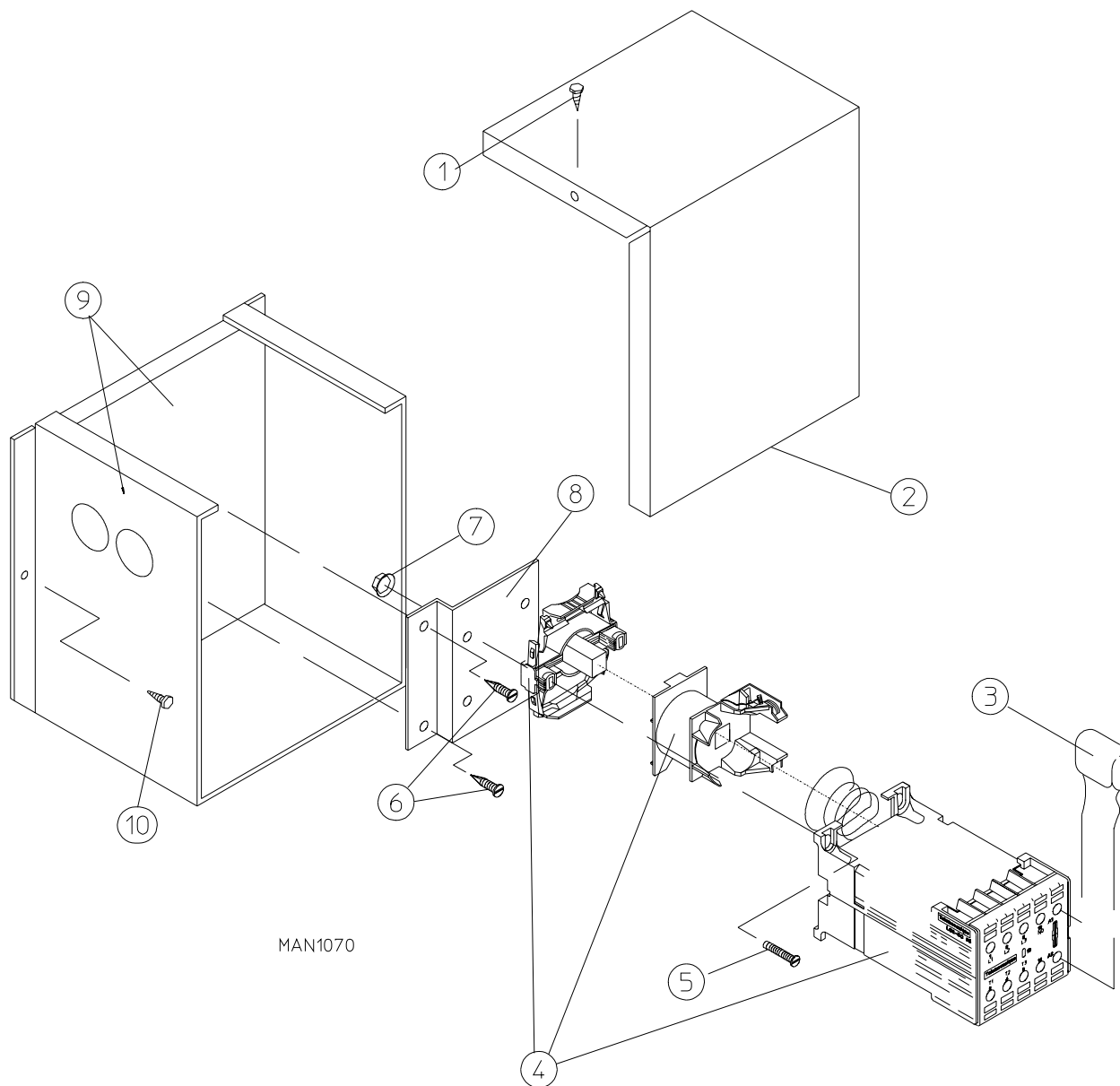
Upper Gas Burner Chamber Assembly

Note: Duplicate All Components for Lower Gas Burner Chamber Assembly



| Illus. No. | Part No. | Qty. | Description |
|------------|----------|------|---|
| 1 | 804025 | 1 | Gas Burner Chamber for Non-Heat Reclaimer Models Only (includes illus. nos. 1 through 3) |
| 2 | 318006 | 1 | Flame Viewing Plate |
| 3 | 150300 | 2 | #10 x 1/2" Hex Washer TEK Screw |
| 4 | 802502 | 1 | Hi-Limit Bracket Assembly (includes illus. nos. 4 through 8) |
| | 319710 | 1 | Hi-Limit Bracket Only |
| 5 | 150301 | 2 | #8-18 x 7/16" Phillips Pan Head TEK Screw |
| 6 | 150001 | 2 | #6-32 x 1/2" Phillips Head Machine Screw |
| 7 | 130103 | 1 | 225° Large Automatic Reset Thermostat |
| 8 | 151000 | 2 | #6-32 Pal Nut |

3-Phase (3Ø) Motor, Electrical Relay Panel Assembly

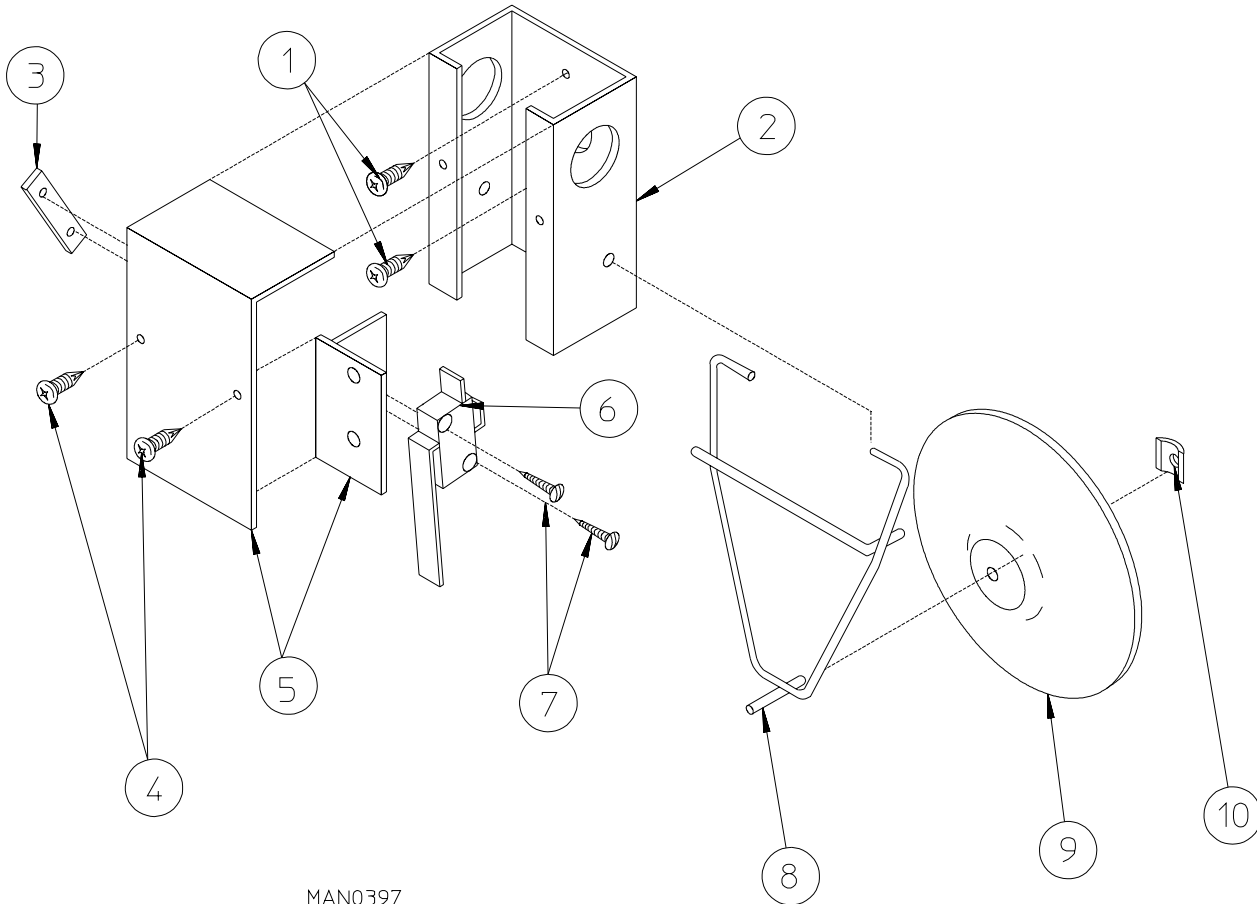


MAN1070

| <u>Illus. No.</u> | <u>Part No.</u> | <u>Qty.</u> | <u>Description</u> |
|-------------------|-----------------|-------------|---|
| 1 | 150300 | 2 | #10 x 1/2" Hex Washer TEK Screw |
| 2 | 321002 | 1 | Electrical Relay Panel Cover Only |
| 3 | 137015 | 1 | Arc Suppressor (capacitor) Only |
| 4 | 132430 | 1 | Impellor Contactor (208 / 230 / 240V, 50 / 60 Hz) 24VAC Coil |
| | 132432 | 1 | Impellor Contactor Replacement Coil (208 / 230 / 240V, 50 / 60 Hz) 24VAC Coil |
| 5 | 150100 | 4 | #8-32 x 1/2" Round Head Machine Screw |
| 6 | 150300 | 2 | #10 x 1/2" Hex Washer TEK Screw |
| 7 | 151001 | 4 | #8-32 Pal Nut |
| 8 | 311920 | 1 | 3-Phase (3Ø) Contactor Mounting Bracket Only |
| 9 | 850909 | 1 | Electrical Relay Panel Assembly (includes illus. nos. 1, 2, and 9) |
| 10 | 150301 | 2 | #8-18 x 7/16" Phillips Pan Head TEK Screw |

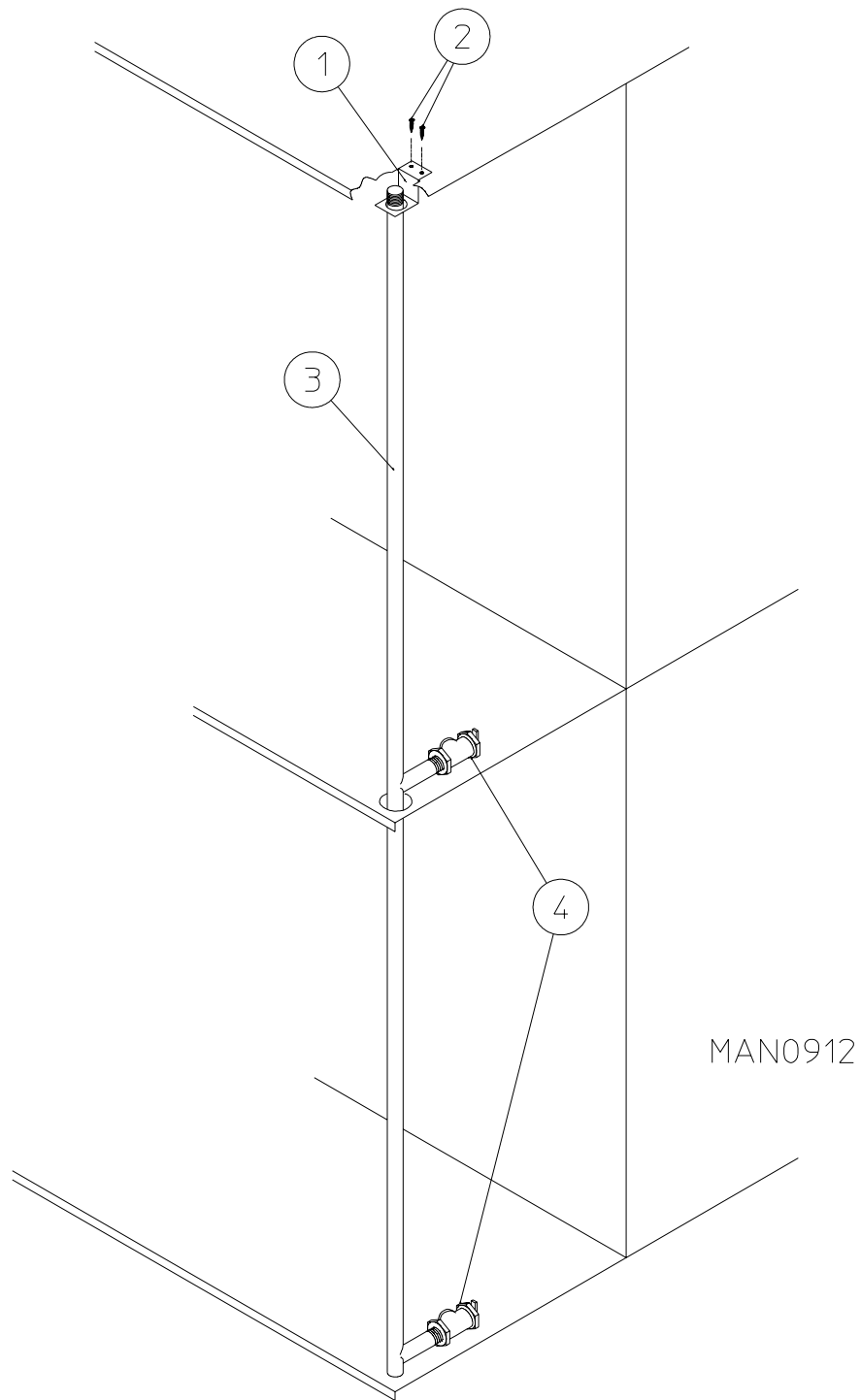
Upper Sail Switch Assembly

Note: Duplicate All Components for Lower Sail Switch Assembly



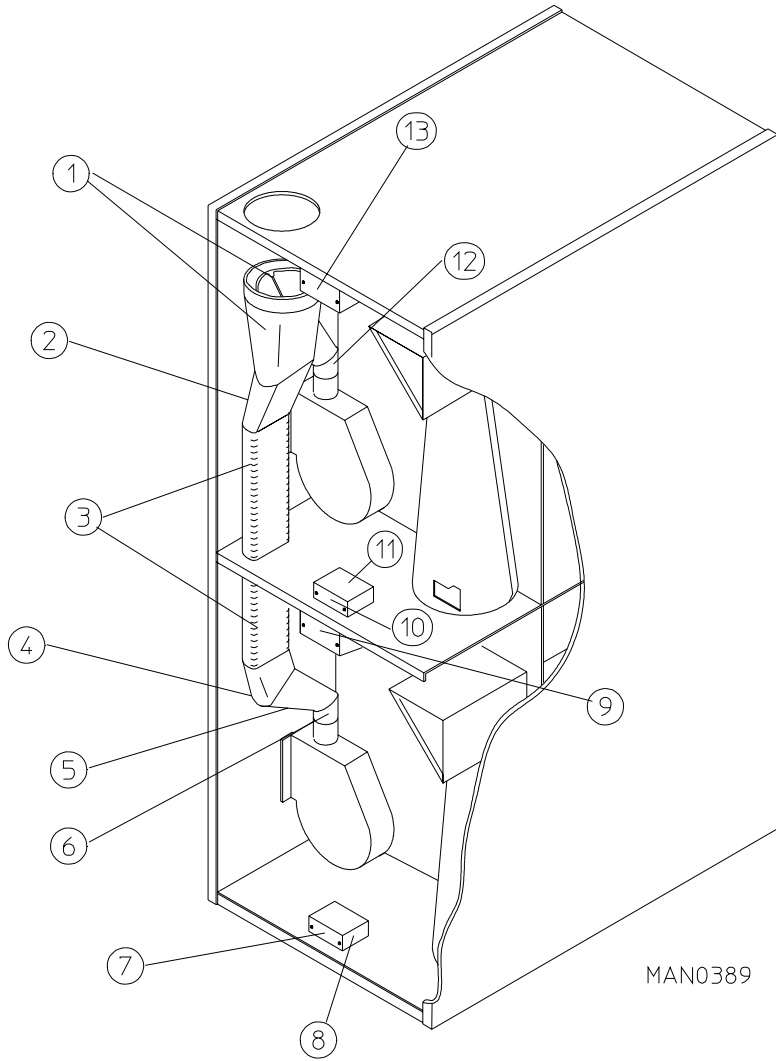
MAN0397

| Illus. No. | Part No. | Qty. | Description |
|------------|----------|------|--|
| 1 | 150301 | 2 | #8-18 x 7/16" Phillips Pan Head TEK Screw |
| 2 | 802800 | 1 | Sail Switch Box with Cover and Bracket (includes illus. nos. 2, 4, and 5) |
| 3 | 154004 | 1 | Twin Speed Nut |
| 4 | 150415 | 2 | #10-16 x 1/2" Phillips Round Head Crimpite Screw |
| 5 | 802799 | 1 | Sail Switch Box Cover and Bracket |
| 6 | 122200 | 1 | Sail Switch |
| 7 | 153303 | 2 | #4 x 3/4" Pan Head "A" Machine Screw |
| 8 | 105500 | 1 | Sail Switch Actuator Rod |
| 9 | 319206 | 1 | Sail Switch Damper (embossed) |
| 10 | 154002 | 1 | 1/8" Push-On Fastener |



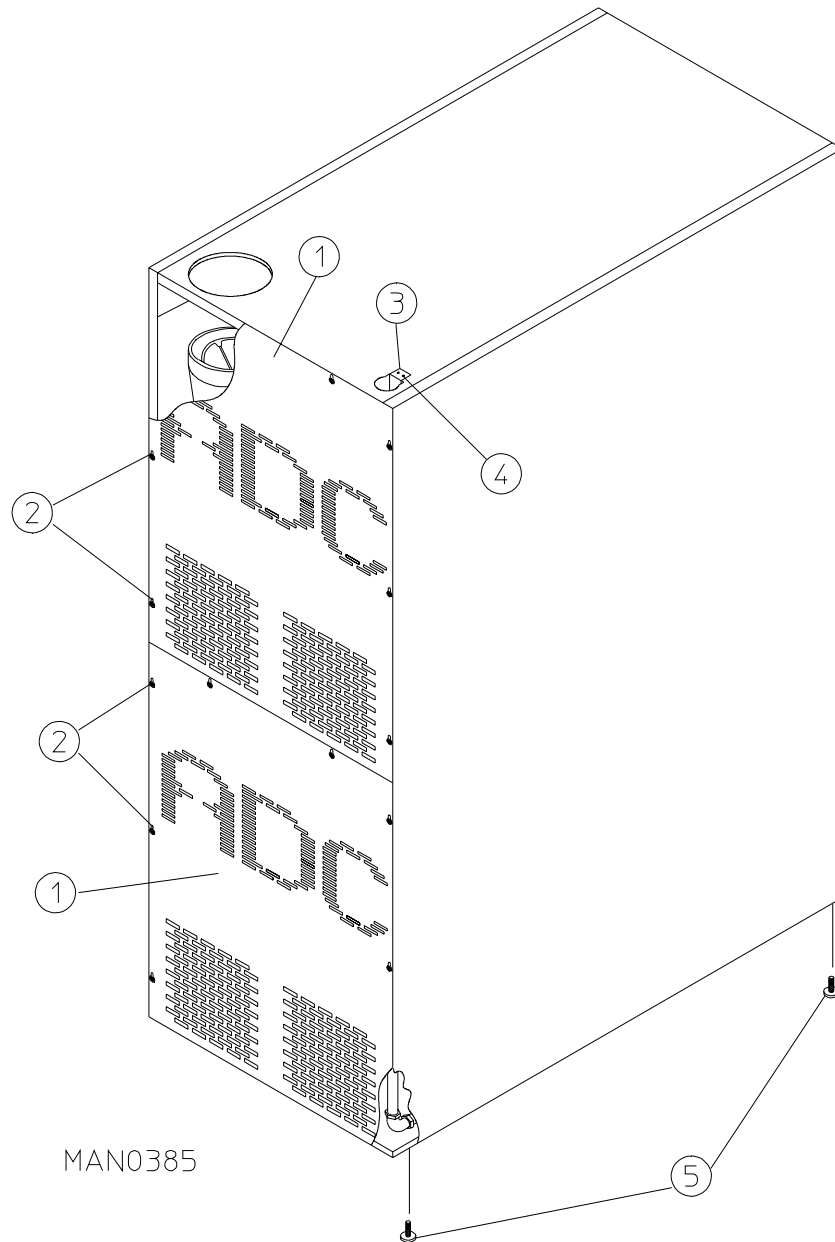
| Illus. No. | Part No. | Qty. | Description |
|------------|----------|------|---------------------------------|
| 1 | 318702 | 1 | Top Pipe Support Bracket |
| 2 | 150300 | 2 | #10 x 1/2" Hex Washer TEK Screw |
| 3 | 141236 | 1 | Inlet Manifold |
| 4 | 141305 | 2 | Union Shutoff Body |

Exhaust Ducting Assembly



| <u>Illus. No.</u> | <u>Part No.</u> | <u>Qty.</u> | <u>Description</u> |
|-------------------|-----------------|-------------|---|
| 1 | 880505 | 1 | Wye Branch Damper Assembly |
| 2 | 143527 | 1 | 6" Round – 7" Oval Straight Boot |
| 3 | 143539 | 1 | 15-1/2" Long x 7" Oval Duct |
| 4 | 143537 | 1 | 7" Oval x 45° Elbow |
| 5 | 143538 | 1 | 6" Round x 7" Oval Straight Boot |
| 6 | 143536 | 1 | 6" Round x 45° Elbow |
| 7 | 121105 | 1 | Junction Box Cover Only |
| | 150301 | 2 | #8-18 x 7/16" Phillips Pan Head TEK Screw ... Not Illustrated |
| 8 | 121104 | 1 | Junction Box Only |
| 9 | 315025 | 1 | Rear Wiring Box Cover Only |
| | 150300 | 2 | #10 x 1/2" Hex Washer TEK Screw ... Not Illustrated |
| 10 | 121104 | 1 | Junction Box Only |
| | 150301 | 2 | #8-18 x 7/16" Phillips Pan Head TEK Screw ... Not Illustrated |
| 11 | 121105 | 1 | Junction Box Cover Only |
| 12 | 143536 | 1 | 6" Round x 45° Elbow |
| 13 | 315025 | 1 | Rear Wiring Box Cover Only |
| | 150300 | 2 | #10 x 1/2" Hex Washer TEK Screw ... Not Illustrated |
| — | 117505 | * | Aluminum Duct Tape (sold by the foot) |

* As required.



| <u>Illus. No.</u> | <u>Part No.</u> | <u>Qty.</u> | <u>Description</u> |
|-------------------|-----------------|-------------|---|
| 1 | 311014 | 2 | Upper / Lower Back Guard Assembly |
| 2 | 150301 | 16 | #8-18 x 7/16" Phillips Pan Head TEK Screw |
| 3 | 318702 | 1 | Top Pipe Support Bracket |
| 4 | 150300 | 2 | #10 x 1/2" Hex Washer TEK Screw |
| 5 | 103500 | 4 | Adjustable Leveling Leg |

Microprocessor Coin Acceptor Listing

Note: Coin acceptors listed include optical switch (ADC Part No. 137056).

Single Coin*

| <u>ADC Part No.</u> | <u>Nation</u> | <u>Description</u> |
|---------------------|--------------------------|--|
| 125100 | United States and Canada | 25¢ Optic Coin Acceptor |
| 125127 | Canada | \$1 Canadian Optic Coin Acceptor |
| 125101 | United Kingdom | 10 New Pence Optic Coin Acceptor |
| 125114 | United Kingdom | 20 New Pence Optic Coin Acceptor |
| 125115 | United Kingdom | 1 English Pound (£1) Optic Coin Acceptor |
| 125102 | Belgium | 5 Belgian Franc Optic Coin Acceptor |
| 125106 | France | 1 French Franc Optic Coin Acceptor |
| 125120 | France | 2 French Franc Optic Coin Acceptor |
| 125124 | France | 5 French Franc Optic Coin Acceptor |
| 125137 | Denmark | New 1 Danish Krone Optic Coin Acceptor |
| 125140 | Denmark | New 2 Danish Krone Optic Coin Acceptor |
| 125125 | Netherlands | 25¢ Dutch Guilder Optic Coin Acceptor |
| 125108 | Australia | 10¢ Australian Optic Coin Acceptor |
| 125107 | Australia | 20¢ Australian Optic Coin Acceptor |
| 125130 | Australia | \$1 Australian Optic Coin Acceptor |
| 125123 | New Zealand | 50¢ New Zealand Optic Coin Acceptor |
| 125132 | Singapore | 50¢ Singapore Optic Coin Acceptor |
| 125104 | Japan | 100 Yen Optic Coin Acceptor |
| 125133 | Hong Kong | \$1 Hong Kong Optic Coin Acceptor |
| 125103 | — | .882 Token Optic Coin Acceptor |
| 125121 | — | .800 Token Optic Coin Acceptor |
| 125129 | — | Muller Token Optic Coin Acceptor |

Dual Coin*

| <u>ADC Part No.</u> | <u>Nation</u> | <u>Description</u> |
|---------------------|--------------------------|--|
| 125116 | United States and Canada | 10¢ / 25¢ Dual Optic Coin Acceptor |
| 125128 | Canada | 25¢ / \$1 Dual Optic Coin Acceptor |
| 125112 | United Kingdom | 10 / 20 Pence Dual Optic Coin Acceptor |
| 125110 | United Kingdom | 10 / 50 Pence Dual Optic Coin Acceptor |
| 125111 | United Kingdom | 20 / 50 Pence Dual Optic Coin Acceptor |
| 125113 | United Kingdom | £1 / 20 Pence Dual Optic Coin Acceptor |
| 125119 | Belgium | 5 / 20 Belgian Franc Dual Optic Coin Acceptor |
| 125122 | France | 2 / 5 French Franc Dual Optic Coin Acceptor |
| 125134 | Denmark | New 1 / 5 Danish Krone Dual Optic Coin Acceptor |
| 125138 | Denmark | New 5 / 10 Danish Krone Dual Optic Coin Acceptor |
| 125139 | Denmark | New 2 / 5 Danish Krone Dual Optic Coin Acceptor |
| 125126 | Netherlands | 25 / 1 Dutch Guilder Dual Optic Coin Acceptor |
| 125118 | Singapore | 20¢ / 50¢ Singapore Dual Optic Coin Acceptor |
| 125105 | Japan | 50 / 100 Yen Dual Optic Coin Acceptor |

* Consult factory for coin acceptors not listed.

| <u>Part No.</u> | <u>Description</u> |
|-----------------|--|
| 112027 | “Water Washed Fabrics” Label |
| 112040 | “Lint Compartment” Label |
| 112041 | “Caution – Exhausted” Label |
| 112534 | “Phase 5 OPL Program Location Summary” Label |
| 120100 | 3/8” Straight (BX) Connector |
| 120300 | 3/8” x 45° (BX) Connector |
| 120400 | 3/8” Red Jacket (BX) Insulator |
| 120500 | 3/8” Jiffy Clip (BX Retainer Clip) |
| 120600 | 3/8” Greenfield (BX) |
| 120800 | 1/4” In-Line Connector |
| 120802 | Red Butt Connector |
| 120902 | #74B Wire Nut |
| 120903 | Crimp-On Wire Nut |
| 121014 | 1/4” Insulated (female) Terminal |
| 121499 | 4” Harness Tie |
| 121500 | 7” Harness Tie |
| 121503 | Harness Tie Mounting Clip |
| 122804 | Manometer (water column test gauge) |
| 170194 | Tumbler Lint Cleaning Brush |
| 404500 | Almond Brush-In-Cap Touch-Up Paint |
| 404502 | White Brush-In-Cap Touch-Up Paint |
| 404506 | Almond “B” Brush-In-Cap Touch-Up Paint |
| 404507 | Cornflower Blue Brush-In-Cap Touch-Up Paint |

